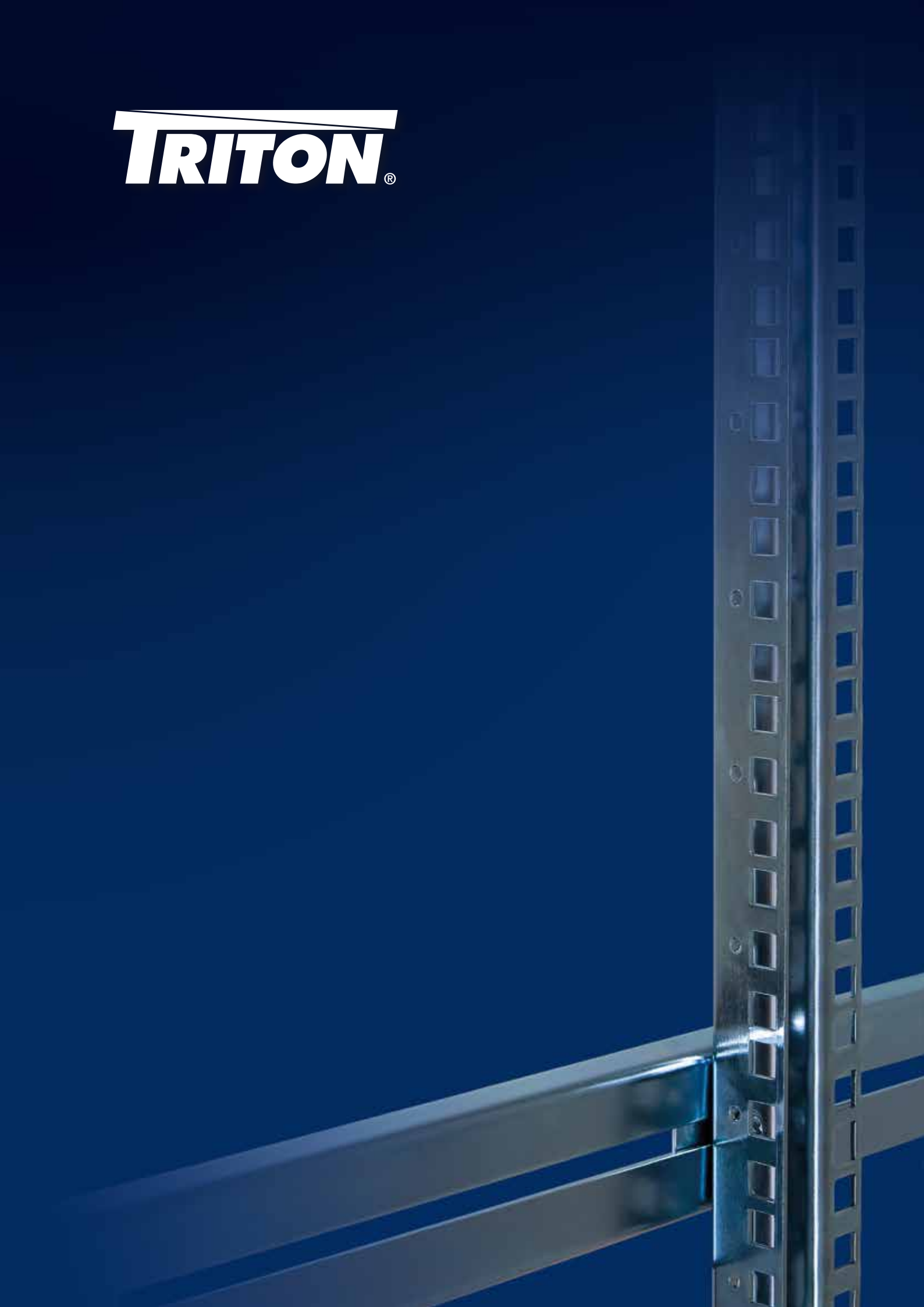


TRITON®



.HIGH-TECH
FREE-STANDING CABINETS
WALL-MOUNTED CABINETS
SPECIAL CABINETS
DATA CENTERS
CABLE TRAYS
ACCESSORIES

History, Production	4
Product Options	16
Free-Standing Cabinets	17
RMA – loading capacity 400 kg	19
RZA – ready to assemble	29
RTA – loading capacity 1200/1500 kg	37
RYA – easily demountable, loading capacity 1200/1500 kg	47
RDA – server cabinet with loading capacity 1800 kg	55
RPA – for industrial applications	61
RIE – protection against dust and humidity (IP54)	65
RDE – with IP54 and loading capacity 1800 kg	69
RPE – for industrial applications	73
RSX – 19" open frames	77
RSX-F – 19" open frames FLEX	81
Data Centers	85
What is a data center?	87
Data Center Cooling	89
Power Distribution	90
Accessories for Data Centers	91
Hot/Cold Aisle	94
References	97
Wall-Mounted Cabinets	109
RBA – one sectioned , a classic for medium size installations	111
RBA – two-sectioned , an easy access to the rear section	115
RUA – with removable side panels	121
RXA – flat-pack conception	125
RFA – wall-mounted server cabinet	129
RKA – compact 10" and 19" cabinet	133
RBA – 10" cabinet for smaller projects	137
Special Cabinets	141
RCA – cabinet under the work desk	143
RNA – data module of hybrid cabinet	147
SNA – power module of hybrid cabinet	153
RNA, SNA – accessories.....	159
Accessories	161
Active Cooling	163
Cable Management Systems.....	171
Other Accessories	181
Technical Support	204
Partnumbering System, Configurator	208
Certification	210
Triton Showroom	214
Packaging, Transportation, Warranty	215
Clothes Lockers and Cloak Room Equipment	216
Cable trays	218



TRITON®

About us

The company Tritón Pardubice, spol. s r. o. is one of the world's leading manufacturers of 19" data and telecommunication, including accessories.

Production and development is at present located in the town Starý Mateřov, 5km form the city of Pardubice. A modern production plant with an area of 14,000 m² and 200 employees and specialists was built here. For the needs of rapidly growing production, there is already 5th hall under construction, which will be completed in the autumn 2021.

The assortment for IT is complemented by a newly developed unique telescopic troughs system for the construction of cableways, including complete accessories.

Last but not least, the company develops and manufactures products for fitting out locker rooms, workshops and offices. Fox example cabinets, boxes, benches and hanging walls, workshop furniture or special cabinets for firefighters or sports equipment (balls, skis, snowboards, bridles, golf, etc.)



2000



2001



2009



Year 2011 - extension of the second hall - new warehouse and logistics



Year 2018 - a view from Dubany village to the new, already the third production hall for the ever-expanding production of wardrobes and special boxes.



January 2021 - start of construction of 5th hall with an area of 4,500 m² for production needs. Completion of construction expected in the autumn of 2021.



Welding robot



Automated system - research and development hall



Combined machine - laser and punching



Deburring machine for cutout sections



Cabinet door production



Cabinet door production



Automated bending center



Automated punch machine



Automated punch machine



Automated punch machine



Paintshop - automated powdering box



Paintshop - powder coating line



Automated warehouse for sheet steel and parts



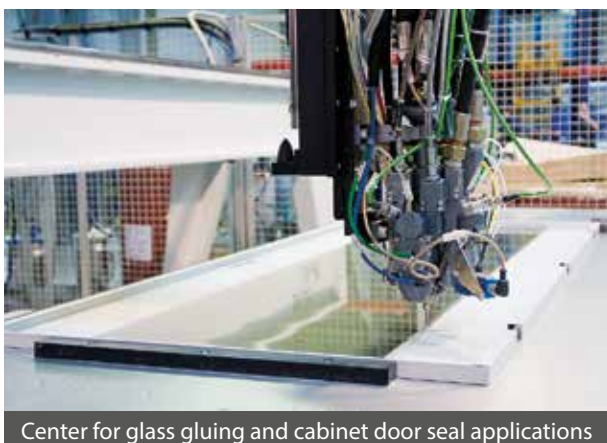
Metal forming line



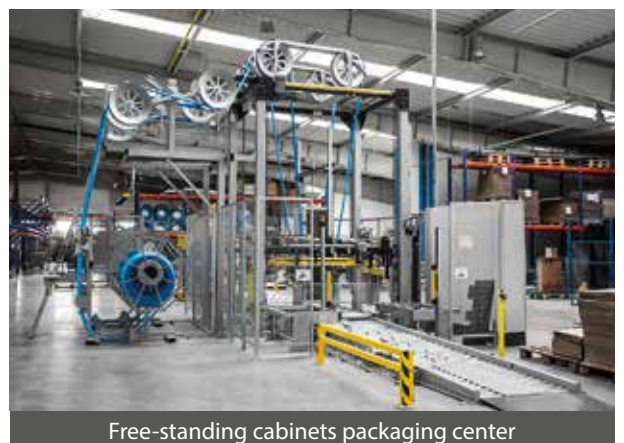
Robotic workstation for spot welding of wall-mounted cabinets



Robotic workstation for spot welding of wall-mounted cabinets



Center for glass gluing and cabinet door seal applications



Free-standing cabinets packaging center



Free-standing cabinets robotic welding



Free-standing cabinets robotic welding



Automated bending center



Automated bending center



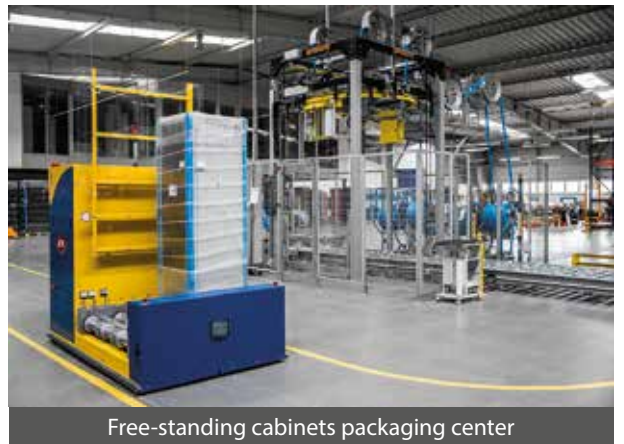
Press brakes



Automated press brake



Free-standing cabinet assembly line



Free-standing cabinets packaging center



Automated bending center



Robotic workstation for spot welding of wall-mounted cabinets



Center for glass gluing and cabinet door seal applications



Warehouse



Suction and filter unit of welding plant



Metal forming line of skeleton rails



Connection of storage centers



Automated bending center



Automated bending center



Automated bending center



Automated bending center



Automated bending center



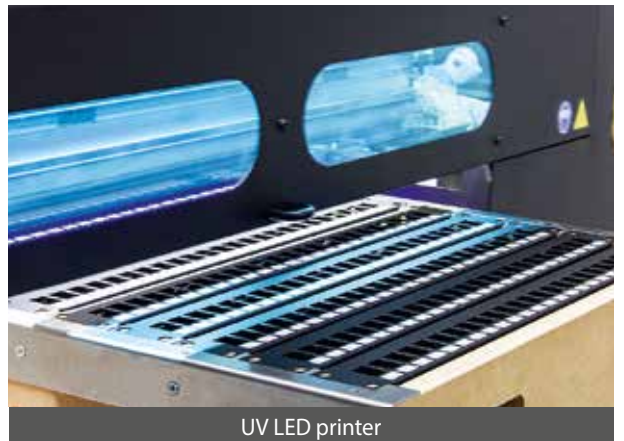
Automated bending center



UV LED printer



UV LED printer



UV LED printer



Fully automatic panel manipulator



CNC panel cutting center



CNC panel cutting center



Edgebander



Manual contour edgebander



Modular edge sander



Panel storage



Transfer trolley



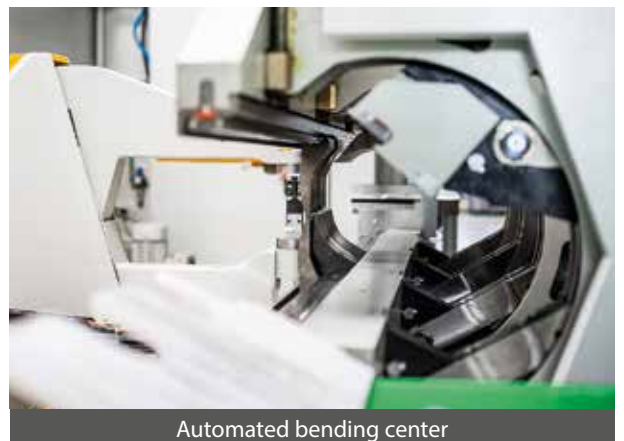
Automated bending center



Automated bending center



Automated bending center



Automated bending center

Product Options

Symbol

Click on the symbol will transfer you to the link.

Door Options



Hardened smoked glass door



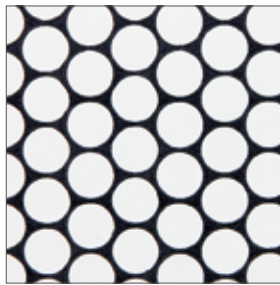
Perforated door



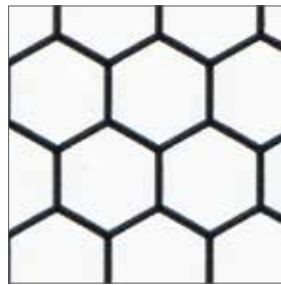
Solid steel door



Special door



Air permeability 80 %



Air permeability 86 %


Gluing methods

We use a CNC system for polyurethane compound applications. This system has a three axis motion and the mixture is applied evenly by nozzle. This new professional method of gluing increases the bond strength between the glass and steel frame.

Perforated door

Perforated door we produce with standard air permeability 80%, on demand with 86%.

Special doors allow for mounting standard horizontal fan units (for most of the free-standing cabinets).

Further information is available in the section Active cooling. 

Double Wing Door



Hardened smoked glass door



Perforated door



Solid steel door

■ All double wing doors are supplied with hook-on hinges that allow door quick and tool-less disassembly for easy handling of the installed technology.

Colour Variety of the Cabinets



RAL 7035



RAL 9005

Standard colours are RAL 7035 (light grey) and RAL 9005 (black). However, it is possible to use any colour from the RAL sampler on various cabinet parts and thus to create an original design according to a client's or architect's concept. The paint has a good resistance to chemical and mechanical damage. We highly recommend to clean the surface by standard non-abrasive washing detergents with neutral pH (5-8) and then to dry it well.

Securing of the side panels



Lock, standard key



Safety countersunk screws

Safety countersunk screws are standardly for RTA, RDA and RYA cabinets in version A3, A7. On request, the screws may be mounted from the inner side of the cabinet.



Free-Standing Cabinets

Free-Standing Cabinets – Overview



RMA

Welded cabinet with removable side panels and rear cover, IP20, capacity 400 kg

19



RZA

Cabinet can be disassembled, welded parts easily connected by screws, IP20, capacity 300 and 400 kg

29



RTA

Welded cabinet with demountable side panels and back panel, IP 20, loading capacity 1200/1500 kg

37



RYA

Assembled cabinet easily decomposable, IP 20, loading capacity 1200 / 1500 kg

47



RDA

Welded server cabinet, IP20, capacity 1800 kg

55



RPA

Cabinet for industrial applications – removable sections, RPA - IP20, capacity 400 kg

61



RIE

Welded cabinet with removable covers, prepared for the installation of independent air-conditioning units, IP54, capacity 400 kg

65



RDE

Welded server cabinet prepared for the installation of independent air-conditioning units, IP54, capacity 1800 kg

69



RPE

Cabinet for industrial applications – removable sections, RPE - IP54, capacity 400 kg

73



RSX

19" open frames, capacity 150 and 800 kg

77



RSX-F

19" open flexible frames, capacity 150 and 800 kg

81



RMA

Welded cabinet with removable side panels
and rear cover, IP20, capacity 400 kg



■ Rigid construction

RMA has a robust welded construction. High quality processing and the newest technologies ensure a perfect look of the cabinet.




■ Flexible door opening

The hinge system allows the door to open almost 180°. The door can be easily removed and re-mounted to change the direction of opening.



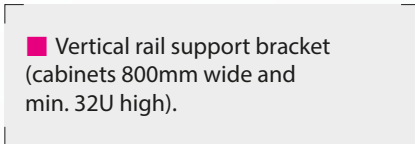
■ Swing frame

Cabinets 800mm wide could be equipped by swing frame with a load capacity of 150 Kg. Maximum available depth of the 19" accessories is 330 mm. 



■ Triton handles

We manufacture our own handles for the free-standing cabinets. By changing the plastic module (not included), a traditional or half-cylindrical lock insert can be used. PATENT: PUV 2013-27443



■ Vertical rail support bracket
(cabinets 800mm wide and min. 32U high).



■ Adjustable vertical rails

Vertical 19" rails can be adjusted freely in any depth of the cabinet. This simplifies mounting of the device and configuration of connecting cables.

■ Removable side panels and rear cover

RMA has a welded frame and removable side panels. These are fixed as standard to the frame using a lock with the same key as the door and rear cover.





■ **Door for fan units**

With this cabinet type, it is possible to order a special metal door ready for mounting RAC-CH-X0x-X3 fan units. Further information is available in the section Active cooling. [↗](#)



■ **Detail of fixture of the cabinet removable rear cover**



■ **Detail of the removable side panel lock**



■ **Break-out blanking panels**

Entry openings for cables in the rear part of the cabinet are covered with breakout-type blanking panels. It is possible to use a blanking panel with a brush in cable opening to avoid dust penetration. The fringe edge serves to protect cables from damage (both are parts of the cabinet supply).



■ **Opening for a fan unit**

A large opening covered with a breakout-type blanking panel enables mounting and removal of the Triton fan unit from outside of the cabinet without a need of using screws.

■ **Castors, levelling feet**

Levelling feet are part of the cabinet supply.



■ **The back side of the cabinet**

On the rear cover of the cabinet are two cable openings covered with breakout panels. One is at the top and one at the bottom of the rear cover. Other cable entries are on the ceiling and the base of the cabinet.





■ Perforated frame

The RMA cabinet has a perforated frame to ensure cooling air has access to the equipment inside. Cooling can be augmented by installing fan units.



■ Bonding

All removable parts are bonded together according to the relevant standards.



■ Flex frame

(for cabinet of 800 mm width) This system enables sliding vertical rails to be installed in a span of 19", 21" and 23", just as needed for the equipment being used.



RMA-22-A81-BAX-A1

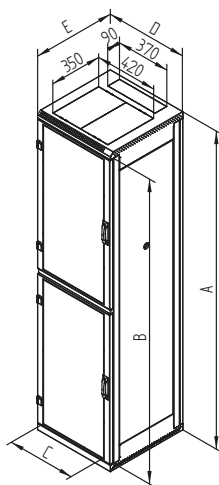
■ Middle pair of vertical rails

For cabinets deeper than 800 mm a third pair of vertical rails is supplied. An open profile means that the middle rails do not limit installation of deeper devices.



RMA 800 x 800 mm double box

RMA 800 x 800 mm



RMA 600 x 800 mm



RMA 600 x 1000 mm

RMA cabinet variants
Full range on demand - please contact your supplier.

RMA

RMA 42U - double box (21U + 20U)

Type	A	B	C	D	E	Weight gross (kg)	Weight net (kg)	Maximum recommended load (kg)
	(mm)							
RMA-42-A66-CAX-A12BAA	1970	1868	487	600	600	84,9	77,8	400
RMA-42-A68-CAX-A12BAA	1970	1868	487	600	800	97,5	89,2	
RMA-42-A69-CAX-A12BAA	1970	1868	487	600	900	104,8	94,6	
RMA-42-A61-CAX-A12BAA	1970	1868	487	600	1000	111,9	101,1	
RMA-42-A86-CAX-A12BAA	1970	1868	687	800	600	100,0	91,3	
RMA-42-A88-CAX-A12BAA	1970	1868	687	800	800	114,1	104,5	
RMA-42-A89-CAX-A12BAA	1970	1868	687	800	900	126,0	113,1	
RMA-42-A81-CAX-A12BAA	1970	1868	687	800	1000	133,9	120,5	

RMA 45U - double box (22U + 22U)

Type	A	B	C	D	E	Weight gross (kg)	Weight net (kg)	Maximum recommended load (kg)
	(mm)							
RMA-45-A66-CAX-A12BAA	2105	2003	487	600	600	89,1	82,0	400
RMA-45-A68-CAX-A12BAA	2105	2003	487	600	800	103,4	95,0	
RMA-45-A69-CAX-A12BAA	2105	2003	487	600	900	110,9	100,7	
RMA-45-A61-CAX-A12BAA	2105	2003	487	600	1000	116,2	105,4	
RMA-45-A86-CAX-A12BAA	2105	2003	687	800	600	105,5	96,8	
RMA-45-A88-CAX-A12BAA	2105	2003	687	800	800	120,8	110,9	
RMA-45-A89-CAX-A12BAA	2105	2003	687	800	900	130,4	117,4	
RMA-45-A81-CAX-A12BAA	2105	2003	687	800	1000	137,3	124,1	

RMA 600 x 600

Type	A	B	C	D	E	Weight gross (kg)	Weight net (kg)	Maximum recommended load (kg)
	(mm)							
RMA-15-A66-CAX-A1	770	668	487	600	600	38,0	33,0	400
RMA-18-A66-CAX-A1	900	798	487	600	600	42,0	38,0	
RMA-22-A66-CAX-A1	1080	978	487	600	600	47,0	42,0	
RMA-27-A66-CAX-A1	1300	1198	487	600	600	54,0	49,0	
RMA-32-A66-CAX-A1	1525	1423	487	600	600	60,0	55,0	
RMA-37-A66-CAX-A1	1750	1648	487	600	600	68,0	63,0	
RMA-42-A66-CAX-A1	1970	1868	487	600	600	75,0	70,0	
RMA-45-A66-CAX-A1	2105	2003	487	600	600	77,0	72,0	
RMA-47-A66-CAX-A1	2194	2092	487	600	600	81,0	76,0	

RMA 600 x 800

Type	A	B	C	D	E	Weight gross (kg)	Weight net (kg)	Maximum recommended load (kg)
	(mm)							
RMA-15-A68-CAX-A1	770	668	487	600	800	44,0	39,0	400
RMA-18-A68-CAX-A1	900	798	487	600	800	49,0	44,0	
RMA-22-A68-CAX-A1	1080	978	487	600	800	54,0	49,0	
RMA-27-A68-CAX-A1	1300	1198	487	600	800	62,0	57,0	
RMA-32-A68-CAX-A1	1525	1423	487	600	800	69,0	64,0	
RMA-37-A68-CAX-A1	1750	1648	487	600	800	77,0	72,0	
RMA-42-A68-CAX-A1	1970	1868	487	600	800	84,0	79,0	
RMA-45-A68-CAX-A1	2105	2003	487	600	800	90,0	85,0	
RMA-47-A68-CAX-A1	2194	2092	487	600	800	93,0	88,0	

RMA 600 x 900

Type	A	B	C	D	E	Weight gross (kg)	Weight net (kg)	Maximum recommended load (kg)
	(mm)							
RMA-15-A69-CAX-A1	770	668	487	600	900	47,0	42,0	400
RMA-18-A69-CAX-A1	900	798	487	600	900	53,0	48,0	
RMA-22-A69-CAX-A1	1080	978	487	600	900	59,0	54,0	
RMA-27-A69-CAX-A1	1300	1198	487	600	900	67,0	62,0	
RMA-32-A69-CAX-A1	1525	1423	487	600	900	76,0	71,0	
RMA-37-A69-CAX-A1	1750	1648	487	600	900	84,0	79,0	
RMA-42-A69-CAX-A1	1970	1868	487	600	900	91,0	86,0	
RMA-45-A69-CAX-A1	2105	2003	487	600	900	96,0	91,0	
RMA-47-A69-CAX-A1	2194	2092	487	600	900	99,0	94,0	

RMA 600 x 1000

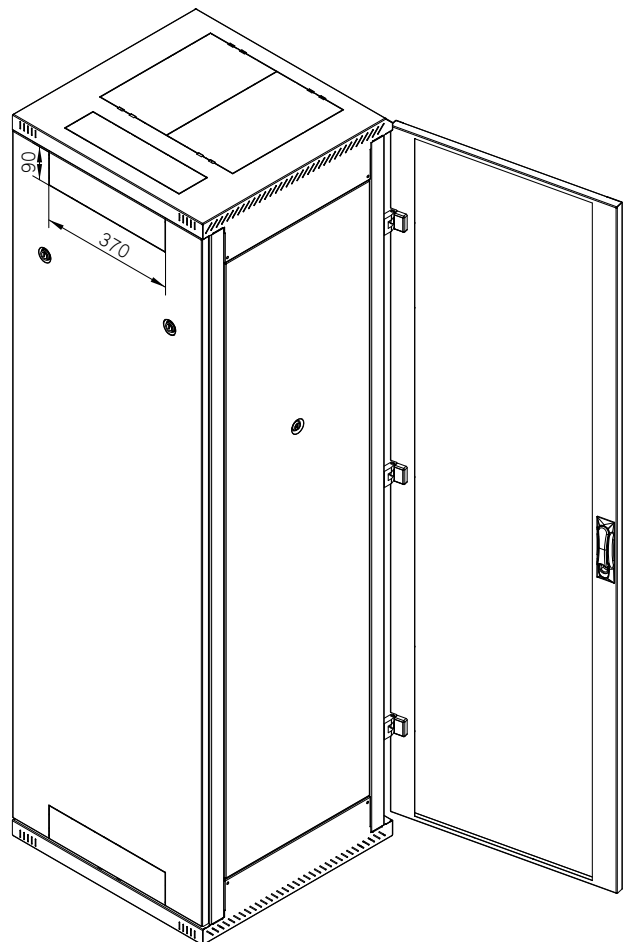
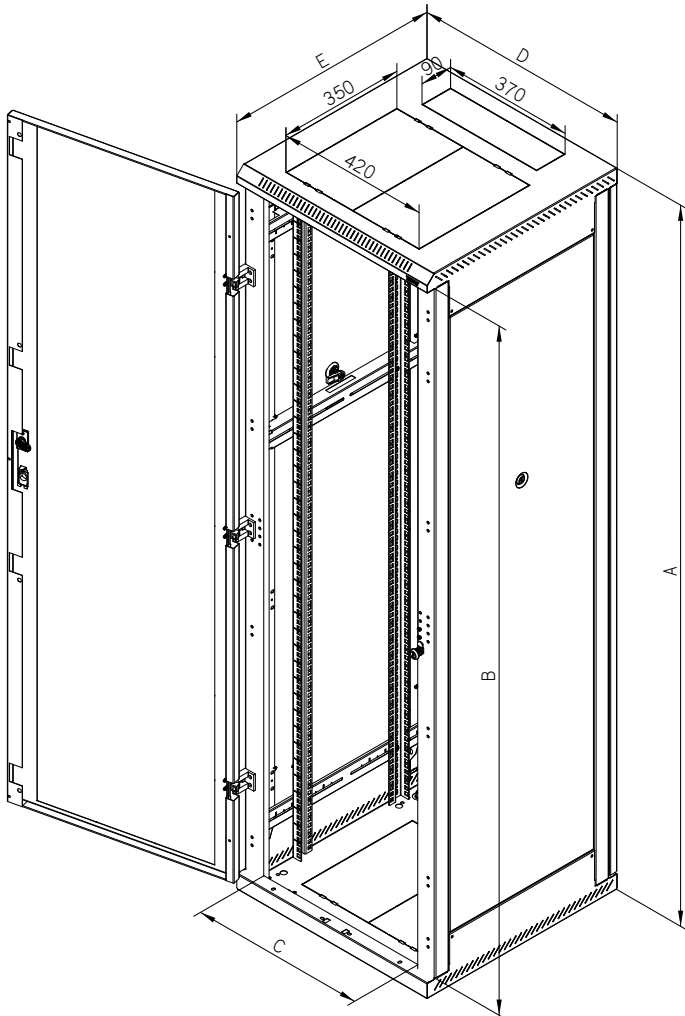
Type	A	B	C	D	E	Weight gross (kg)	Weight net (kg)	Maximum recommended load (kg)
	(mm)							
RMA-15-A61-CAX-A1	770	668	487	600	1000	51,0	46,0	400
RMA-18-A61-CAX-A1	900	798	487	600	1000	55,0	50,0	
RMA-22-A61-CAX-A1	1080	978	487	600	1000	63,0	58,0	
RMA-27-A61-CAX-A1	1300	1198	487	600	1000	70,0	65,0	
RMA-32-A61-CAX-A1	1525	1423	487	600	1000	80,0	75,0	
RMA-37-A61-CAX-A1	1750	1648	487	600	1000	88,0	83,0	
RMA-42-A61-CAX-A1	1970	1868	487	600	1000	96,0	91,0	
RMA-45-A61-CAX-A1	2105	2003	487	600	1000	101,0	96,0	
RMA-47-A61-CAX-A1	2194	2092	487	600	1000	104,0	99,0	

RMA 600 x 1100

Type	A	B	C	D	E	Weight gross (kg)	Weight net (kg)	Maximum recommended load (kg)
RMA-15-A60-CAX-A1	770	668	487	600	1100	55,0	50,0	400
RMA-18-A60-CAX-A1	900	798	487	600	1100	59,0	54,0	
RMA-22-A60-CAX-A1	1080	978	487	600	1100	66,0	61,0	
RMA-27-A60-CAX-A1	1300	1198	487	600	1100	72,0	67,0	
RMA-32-A60-CAX-A1	1525	1423	487	600	1100	81,0	76,0	
RMA-37-A60-CAX-A1	1750	1648	487	600	1100	90,0	85,0	
RMA-42-A60-CAX-A1	1970	1868	487	600	1100	99,0	94,0	
RMA-45-A60-CAX-A1	2105	2003	487	600	1100	103,0	98,0	
RMA-47-A60-CAX-A1	2194	2092	487	600	1100	106,0	101,0	

RMA 600 x 1200

Type	A	B	C	D	E	Weight gross (kg)	Weight net (kg)	Maximum recommended load (kg)
RMA-15-A62-CAX-A1	770	668	487	600	1200	59,0	54,0	400
RMA-18-A62-CAX-A1	900	798	487	600	1200	63,0	59,0	
RMA-22-A62-CAX-A1	1080	978	487	600	1200	70,0	65,0	
RMA-27-A62-CAX-A1	1300	1198	487	600	1200	74,0	69,0	
RMA-32-A62-CAX-A1	1525	1423	487	600	1200	83,0	78,0	
RMA-37-A62-CAX-A1	1750	1648	487	600	1200	94,0	89,0	
RMA-42-A62-CAX-A1	1970	1868	487	600	1200	103,0	98,0	
RMA-45-A62-CAX-A1	2105	2003	487	600	1200	107,0	102,0	
RMA-47-A62-CAX-A1	2194	2092	487	600	1200	110,0	105,0	



RMA 800 x 600

Type	A	B	C	D	E	Weight gross (kg)	Weight net (kg)	Maximum recommended load (kg)
	(mm)							
RMA-15-A86-CAX-A1	770	684	687	800	600	40,0	35,0	400
RMA-18-A86-CAX-A1	900	814	687	800	600	47,0	42,0	
RMA-22-A86-CAX-A1	1080	994	687	800	600	52,0	47,0	
RMA-27-A86-CAX-A1	1300	1214	687	800	600	59,0	54,0	
RMA-32-A86-CAX-A1	1525	1438	687	800	600	67,0	62,0	
RMA-37-A86-CAX-A1	1750	1664	687	800	600	83,0	78,0	
RMA-42-A86-CAX-A1	1970	1884	687	800	600	90,0	85,0	
RMA-45-A86-CAX-A1	2105	2019	687	800	600	94,0	89,0	
RMA-47-A86-CAX-A1	2194	2108	687	800	600	96,0	91,0	

RMA 800 x 800

Type	A	B	C	D	E	Weight gross (kg)	Weight net (kg)	Maximum recommended load (kg)
	(mm)							
RMA-15-A88-CAX-A1	770	684	687	800	800	55,0	49,0	400
RMA-18-A88-CAX-A1	900	814	687	800	800	61,0	55,0	
RMA-22-A88-CAX-A1	1080	994	687	800	800	67,0	61,0	
RMA-27-A88-CAX-A1	1300	1214	687	800	800	78,0	72,0	
RMA-32-A88-CAX-A1	1525	1438	687	800	800	86,0	80,0	
RMA-37-A88-CAX-A1	1750	1664	687	800	800	94,0	88,0	
RMA-42-A88-CAX-A1	1970	1884	687	800	800	102,0	96,0	
RMA-45-A88-CAX-A1	2105	2019	687	800	800	107,0	101,0	
RMA-47-A88-CAX-A1	2194	2108	687	800	800	111,0	106,0	

RMA 800 x 900

Type	A	B	C	D	E	Weight gross (kg)	Weight net (kg)	Maximum recommended load (kg)
	(mm)							
RMA-15-A89-CAX-A1	770	684	687	800	900	61,0	55,0	400
RMA-18-A89-CAX-A1	900	814	687	800	900	66,0	60,0	
RMA-22-A89-CAX-A1	1080	994	687	800	900	73,0	67,0	
RMA-27-A89-CAX-A1	1300	1214	687	800	900	85,0	79,0	
RMA-32-A89-CAX-A1	1525	1438	687	800	900	94,0	88,0	
RMA-37-A89-CAX-A1	1750	1664	687	800	900	101,0	95,0	
RMA-42-A89-CAX-A1	1970	1884	687	800	900	109,0	103,0	
RMA-45-A89-CAX-A1	2105	2019	687	800	900	117,0	111,0	
RMA-47-A89-CAX-A1	2194	2108	687	800	900	124,0	118,0	

RMA 800 x 1000

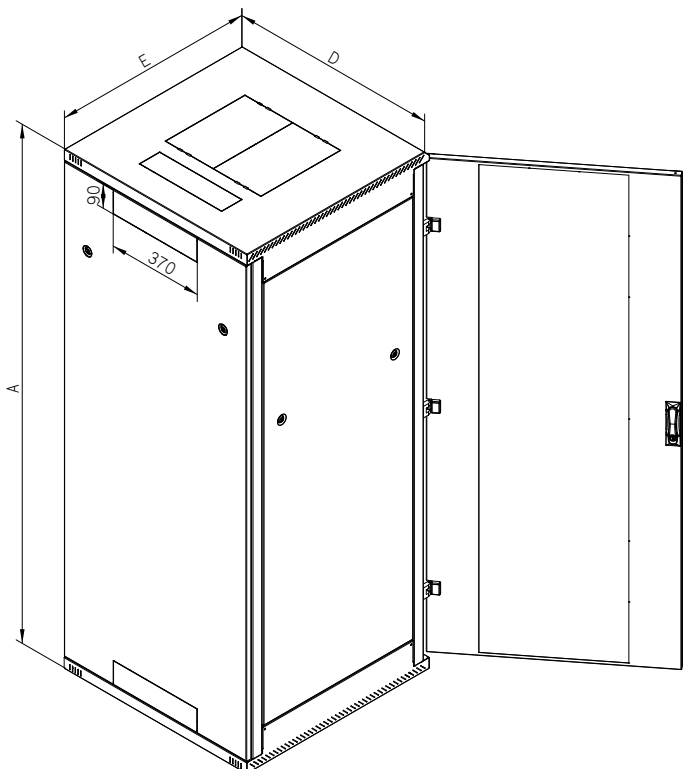
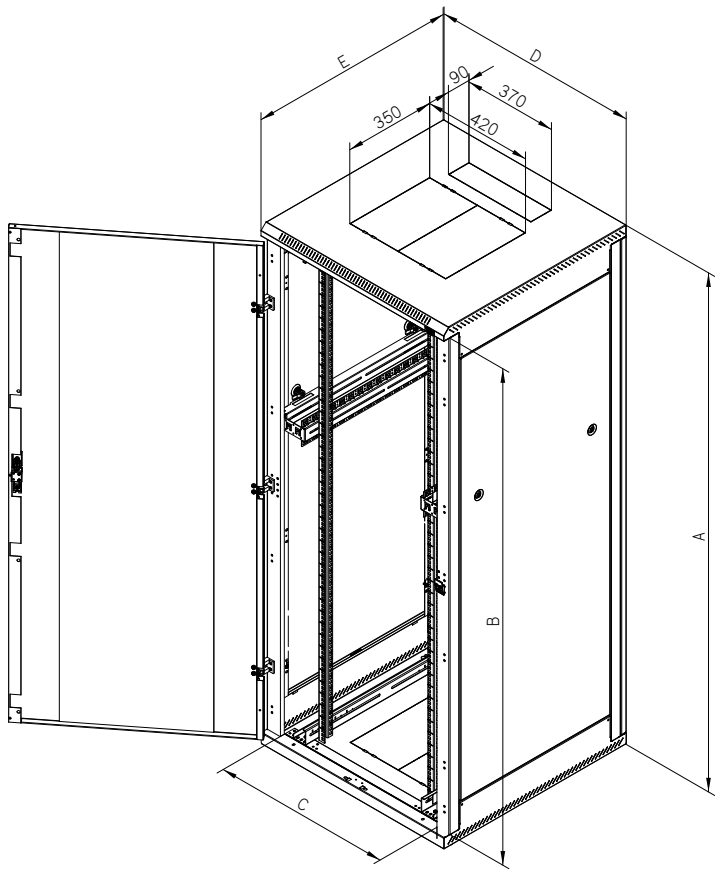
Type	A	B	C	D	E	Weight gross (kg)	Weight net (kg)	Maximum recommended load (kg)
	(mm)							
RMA-15-A81-CAX-A1	770	684	687	800	1000	65,0	59,0	400
RMA-18-A81-CAX-A1	900	814	687	800	1000	70,0	64,0	
RMA-22-A81-CAX-A1	1080	994	687	800	1000	78,0	73,0	
RMA-27-A81-CAX-A1	1300	1214	687	800	1000	87,0	81,0	
RMA-32-A81-CAX-A1	1525	1438	687	800	1000	97,0	91,0	
RMA-37-A81-CAX-A1	1750	1664	687	800	1000	107,0	101,0	
RMA-42-A81-CAX-A1	1970	1884	687	800	1000	116,0	110,0	
RMA-45-A81-CAX-A1	2105	2019	687	800	1000	122,0	117,0	
RMA-47-A81-CAX-A1	2194	2108	687	800	1000	126,0	120,0	

RMA 800 x 1100

Type	A	B	C	D	E	Weight gross (kg)	Weight net (kg)	Maximum recommended load (kg)
RMA-15-A80-CAX-A1	770	684	687	800	1100	69,0	64,0	400
RMA-18-A80-CAX-A1	900	814	687	800	1100	74,0	69,0	
RMA-22-A80-CAX-A1	1080	994	687	800	1100	81,0	76,0	
RMA-27-A80-CAX-A1	1300	1214	687	800	1100	89,0	84,0	
RMA-32-A80-CAX-A1	1525	1438	687	800	1100	99,0	94,0	
RMA-37-A80-CAX-A1	1750	1664	687	800	1100	109,0	104,0	
RMA-42-A80-CAX-A1	1970	1884	687	800	1100	119,0	114,0	
RMA-45-A80-CAX-A1	2105	2019	687	800	1100	125,0	120,0	
RMA-47-A80-CAX-A1	2194	2108	687	800	1100	129,0	124,0	

RMA 800 x 1200

Type	A	B	C	D	E	Weight gross (kg)	Weight net (kg)	Maximum recommended load (kg)
RMA-15-A82-CAX-A1	770	684	687	800	1200	73,0	68,0	400
RMA-18-A82-CAX-A1	900	814	687	800	1200	78,0	73,0	
RMA-22-A82-CAX-A1	1080	994	687	800	1200	85,0	80,0	
RMA-27-A82-CAX-A1	1300	1214	687	800	1200	93,0	88,0	
RMA-32-A82-CAX-A1	1525	1438	687	800	1200	102,0	97,0	
RMA-37-A82-CAX-A1	1750	1664	687	800	1200	112,0	107,0	
RMA-42-A82-CAX-A1	1970	1884	687	800	1200	123,0	118,0	
RMA-45-A82-CAX-A1	2105	2019	687	800	1200	129,0	124,0	
RMA-47-A82-CAX-A1	2194	2108	687	800	1200	133,0	127,0	



RMA free-standing cabinet

Description, purpose of use

- 19" free-standing cabinet with IP20 protection.
- Cabinet includes 4 sliding vertical rails for device mounting (6 rails for cabinets deeper than 800 mm).
- Cabinet construction:
 - Welded steel frame with removable side panels.
 - Single or double doors in all metal versions, perforated (80 % and 86 % air permeability) or glazed with safety tempered glass 4 mm. They can be on the front or back of the cabinet.
- Max. permissible load of the door is 20 kg.
- Min. thickness of the surface finish is 65 µm.
- These cabinets are intended for installation data and telecommunication devices and their distribution systems.
- The frame of the cabinet and all the removable parts (side and rear covers, doors...) are bonded with patch cables that have to be properly fixed and inserted into connectors throughout the period of use of the cabinet.
- There is one M8 screw placed on the bottom part of the cabinet to connect the bonding.
- Cable openings covered with breakout-type blanking panels are placed in the top and the bottom part of the cabinet
- Maximum recommended loading capacity of the cabinet is 400 kg.

Operating conditions

- Operating environment:
 - Office.
 - The cabinet is not intended for outdoor installations and for installations in environment that can influence negatively the functionality of the cabinet and the mounted devices (e.g. environment with danger of explosion or humid and wet surroundings).
- Must be protected against:
 - Mechanical damage.
 - Improper handling.
 - A different usage than the cabinet is intended for.
- Improper handling is especially:
 - Overloading (exceeding the maximum recommended load).
 - Installing devices which may negatively influence the operation and function of the cabinet or the installed equipment.
 - Change of the construction or design of the cabinet.

Installation of the cabinet

- To ensure the maximum recommended load, it is necessary to distribute the load equally.
- Place the cabinet on a flat floor and adjust any differences using the levelling feet.
- To avoid dust penetration in the case where cables lead through some of the cable openings, it may be sealed with a blanking panel with a brush and secured by the fringe edge (both are included in the delivery).

Environmental protection

- All parts are made of recyclable materials and after decommissioning the cabinet, it must be disposed of according to relevant regulations

Certificate and conformity

- This product is certified with TÜV SÜD Czech.
Latest certificate is available at www.triton.cz/en/download/certificates.
Product is fully in accordance with ČSN EN 62208 ed.2:2012(EN 62208:2011).



RZA

Cabinet can be disassembled, welded parts easily bolt together,
IP20, capacity up to 400 kg



■ Rigid construction

The RZA has a robust bolted construction. High quality workmanship and up-to-date technology ensure a perfect look of the cabinet.



■ Breakout-type blanking panels

Entry openings for cables (370 x 90 mm) in the rear part of the cabinet are covered with breakout-type blanking panels. To avoid dust penetration, it is possible to seal the cables at the entry opening by a brush strip, eventually just secure by a protective fringe edge (both supplied with the cabinet).

A large opening in the top covered with a breakout-type blanking panel enables mounting and removal of a Triton fan unit from outside of the cabinet without a need of using screws.



■ Flexible door opening

The hinge system allows the door to open almost 180°. The door can be easily removed and re-mounted to change the direction of opening.



■ Triton handles

We manufacture our own handles for the free-standing cabinets. By changing the plastic module (not included), a traditional or half-cylindrical lock insert can be used. Patent: PUV 2013-27443



■ Flex frame

(for cabinet of 800 mm wide) This system enables sliding vertical rails to be installed in a span of 19", 21" and 23", just as needed for the equipment being used.



RZA 800 x 800 mm

■ Removable side panels and rear cover

RZA has a welded frame and removable side panels. These are fixed as standard to the frame using a lock with the same key as the door and rear cover.



Removable parts

Individual RZA parts are bolted together to form a compact unit with the same maximum loading capacity as a welded cabinet. Most of the parts are joined by Tap-Tite thread-forming screws. This ensures a very high rigidity of the bolted connection even after being disassembled any number of times. The product is supplied assembled and can be moved to difficult to reach places after partial or complete disassembling.



Castors, levelling feet

Prepared for mounting castors and levelling feet. Levelling feet are part of the cabinet supply.



Door for fan units

With this cabinet type, it is possible to order a special metal door ready for mounting RAC-CH-X0x-X3 fan units. Further information is available in the section Active cooling. [↗](#)

RZA 600 x 600

Type	A	B	C	D	E	Weight gross (kg)	Weight net (kg)	Maximum recommended load (kg)
	(mm)							
RZA-15-A66-CAX-A1	770	668	487	600	600	42,5	35,7	300
RZA-18-A66-CAX-A1	900	798	487	600	600	46,3	39,5	
RZA-22-A66-CAX-A1	1080	978	487	600	600	51,5	44,6	
RZA-27-A66-CAX-A1	1300	1198	487	600	600	59,8	52,8	400
RZA-32-A66-CAX-A1	1525	1423	487	600	600	66,6	59,6	
RZA-37-A66-CAX-A1	1750	1648	487	600	600	73,7	66,5	
RZA-42-A66-CAX-A1	1970	1868	487	600	600	80,3	73,2	
RZA-45-A66-CAX-A1	2105	2003	487	600	600	84,4	77,3	
RZA-47-A66-CAX-A1	2194	2092	487	600	600	87,0	79,9	

RZA 600 x 800

Type	A	B	C	D	E	Weight gross (kg)	Weight net (kg)	Maximum recommended load (kg)
	(mm)							
RZA-15-A68-CAX-A1	770	668	487	600	800	48,5	41,5	300
RZA-18-A68-CAX-A1	900	798	487	600	800	52,8	45,7	
RZA-22-A68-CAX-A1	1080	978	487	600	800	58,5	51,5	
RZA-27-A68-CAX-A1	1300	1198	487	600	800	67,6	60,4	400
RZA-32-A68-CAX-A1	1525	1423	487	600	800	75,2	67,9	
RZA-37-A68-CAX-A1	1750	1648	487	600	800	83,0	75,6	
RZA-42-A68-CAX-A1	1970	1868	487	600	800	90,4	83,0	
RZA-45-A68-CAX-A1	2105	2003	487	600	800	95,0	87,5	
RZA-47-A68-CAX-A1	2194	2092	487	600	800	97,9	90,5	

RZA 600 x 900

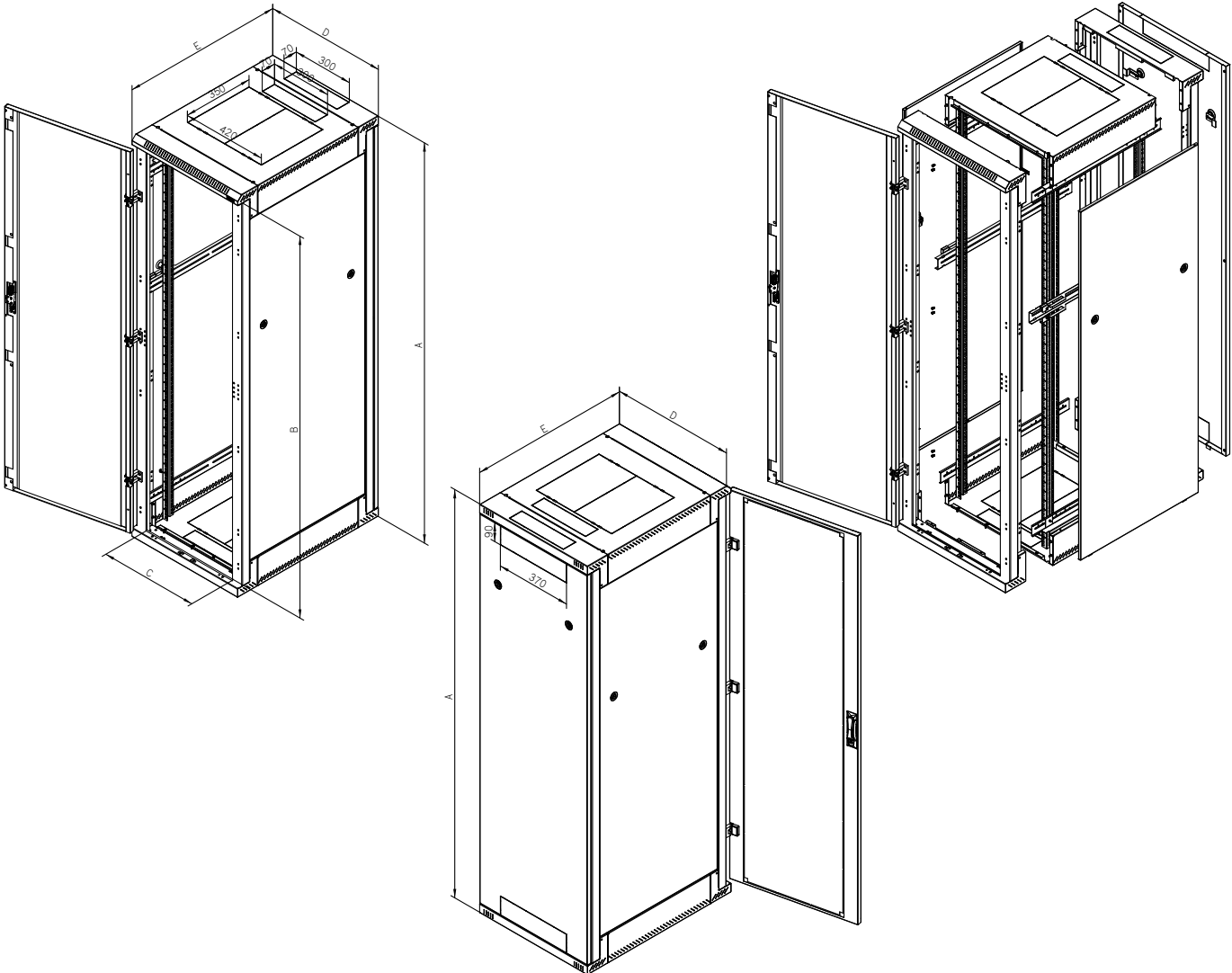
Type	A	B	C	D	E	Weight gross (kg)	Weight net (kg)	Maximum recommended load (kg)
	(mm)							
RZA-15-A69-CAX-A1	770	668	487	600	900	52,3	45,4	300
RZA-18-A69-CAX-A1	900	798	487	600	900	57,0	50,1	
RZA-22-A69-CAX-A1	1080	978	487	600	900	63,3	56,4	
RZA-27-A69-CAX-A1	1300	1198	487	600	900	74,1	67,0	400
RZA-32-A69-CAX-A1	1525	1423	487	600	900	82,6	75,5	
RZA-37-A69-CAX-A1	1750	1648	487	600	900	91,3	84,0	
RZA-42-A69-CAX-A1	1970	1868	487	600	900	99,5	92,3	
RZA-45-A69-CAX-A1	2105	2003	487	600	900	104,6	97,4	
RZA-47-A69-CAX-A1	2194	2092	487	600	900	108,2	100,9	

RZA 600 x 1000

Type	A	B	C	D	E	Weight gross (kg)	Weight net (kg)	Maximum recommended load (kg)
	(mm)							
RZA-15-A61-CAX-A1	770	668	487	600	1000	55,2	48,3	300
RZA-18-A61-CAX-A1	900	798	487	600	1000	60,1	53,2	
RZA-22-A61-CAX-A1	1080	978	487	600	1000	66,8	59,8	
RZA-27-A61-CAX-A1	1300	1198	487	600	1000	77,9	70,8	400
RZA-32-A61-CAX-A1	1525	1423	487	600	1000	86,8	79,6	
RZA-37-A61-CAX-A1	1750	1648	487	600	1000	95,8	88,5	
RZA-42-A61-CAX-A1	1970	1868	487	600	1000	104,5	97,1	
RZA-45-A61-CAX-A1	2105	2003	487	600	1000	109,8	102,5	
RZA-47-A61-CAX-A1	2194	2092	487	600	1000	113,4	106,0	

RZA 600 x 1100								
Type	A	B	C	D	E	Weight gross (kg)	Weight net (kg)	Maximum recommended load (kg)
(mm)								
RZA-15-A60-CAX-A1	770	668	487	600	1100	61,0	49,5	300
RZA-18-A60-CAX-A1	900	798	487	600	1100	67,6	54,7	
RZA-22-A60-CAX-A1	1080	978	487	600	1100	74,8	61,9	
RZA-27-A60-CAX-A1	1300	1198	487	600	1100	84,0	70,9	400
RZA-32-A60-CAX-A1	1525	1423	487	600	1100	93,0	79,9	
RZA-37-A60-CAX-A1	1750	1648	487	600	1100	102,2	89,0	
RZA-42-A60-CAX-A1	1970	1868	487	600	1100	111,1	97,8	
RZA-45-A60-CAX-A1	2105	2003	487	600	1100	116,6	103,3	
RZA-47-A60-CAX-A1	2194	2092	487	600	1100	119,8	106,5	

RZA 600 x 1200								
Type	A	B	C	D	E	Weight gross (kg)	Weight net (kg)	Maximum recommended load (kg)
(mm)								
RZA-15-A62-CAX-A1	770	668	487	600	1200	64,0	52,4	300
RZA-18-A62-CAX-A1	900	798	487	600	1200	69,4	57,8	
RZA-22-A62-CAX-A1	1080	978	487	600	1200	76,9	65,3	
RZA-27-A62-CAX-A1	1300	1198	487	600	1200	86,4	74,6	400
RZA-32-A62-CAX-A1	1525	1423	487	600	1200	95,8	84,0	
RZA-37-A62-CAX-A1	1750	1648	487	600	1200	103,5	91,5	
RZA-42-A62-CAX-A1	1970	1868	487	600	1200	114,7	102,7	
RZA-45-A62-CAX-A1	2105	2003	487	600	1200	120,3	108,3	
RZA-47-A62-CAX-A1	2194	2092	487	600	1200	123,7	111,7	



RZA 800 x 600

Type	A	B	C	D	E	Weight gross (kg)	Weight net (kg)	Maximum recommended load (kg)
RZA-15-A86-CAX-A1	770	684	687	800	600	53,3	43,2	300
RZA-18-A86-CAX-A1	900	814	687	800	600	57,6	47,4	
RZA-22-A86-CAX-A1	1080	994	687	800	600	63,4	53,1	
RZA-27-A86-CAX-A1	1300	1214	687	800	600	72,5	62,1	400
RZA-32-A86-CAX-A1	1525	1438	687	800	600	80,1	69,6	
RZA-37-A86-CAX-A1	1750	1664	687	800	600	87,9	77,2	
RZA-42-A86-CAX-A1	1970	1884	687	800	600	95,4	84,7	
RZA-45-A86-CAX-A1	2105	2019	687	800	600	99,9	89,2	
RZA-47-A86-CAX-A1	2194	2108	687	800	600	102,9	92,2	

RZA 800 x 800

Type	A	B	C	D	E	Weight gross (kg)	Weight net (kg)	Maximum recommended load (kg)
RZA-15-A88-CAX-A1	770	684	687	800	800	60,2	50,0	300
RZA-18-A88-CAX-A1	900	814	687	800	800	64,9	54,7	
RZA-22-A88-CAX-A1	1080	994	687	800	800	71,3	61,1	
RZA-27-A88-CAX-A1	1300	1214	687	800	800	81,1	70,7	400
RZA-32-A88-CAX-A1	1525	1438	687	800	800	89,5	79,0	
RZA-37-A88-CAX-A1	1750	1664	687	800	800	98,0	87,4	
RZA-42-A88-CAX-A1	1970	1884	687	800	800	106,3	95,6	
RZA-45-A88-CAX-A1	2105	2019	687	800	800	111,3	100,6	
RZA-47-A88-CAX-A1	2194	2108	687	800	800	114,6	103,8	

RZA 800 x 900

Type	A	B	C	D	E	Weight gross (kg)	Weight net (kg)	Maximum recommended load (kg)
RZA-15-A89-CAX-A1	770	684	687	800	900	64,9	54,5	300
RZA-18-A89-CAX-A1	900	814	687	800	900	70,1	59,6	
RZA-22-A89-CAX-A1	1080	994	687	800	900	77,0	66,5	
RZA-27-A89-CAX-A1	1300	1214	687	800	900	88,6	77,9	400
RZA-32-A89-CAX-A1	1525	1438	687	800	900	97,8	87,1	
RZA-37-A89-CAX-A1	1750	1664	687	800	900	107,2	96,4	
RZA-42-A89-CAX-A1	1970	1884	687	800	900	116,4	105,4	
RZA-45-A89-CAX-A1	2105	2019	687	800	900	121,9	111,0	
RZA-47-A89-CAX-A1	2194	2108	687	800	900	125,8	114,8	

RZA 800 x 1000

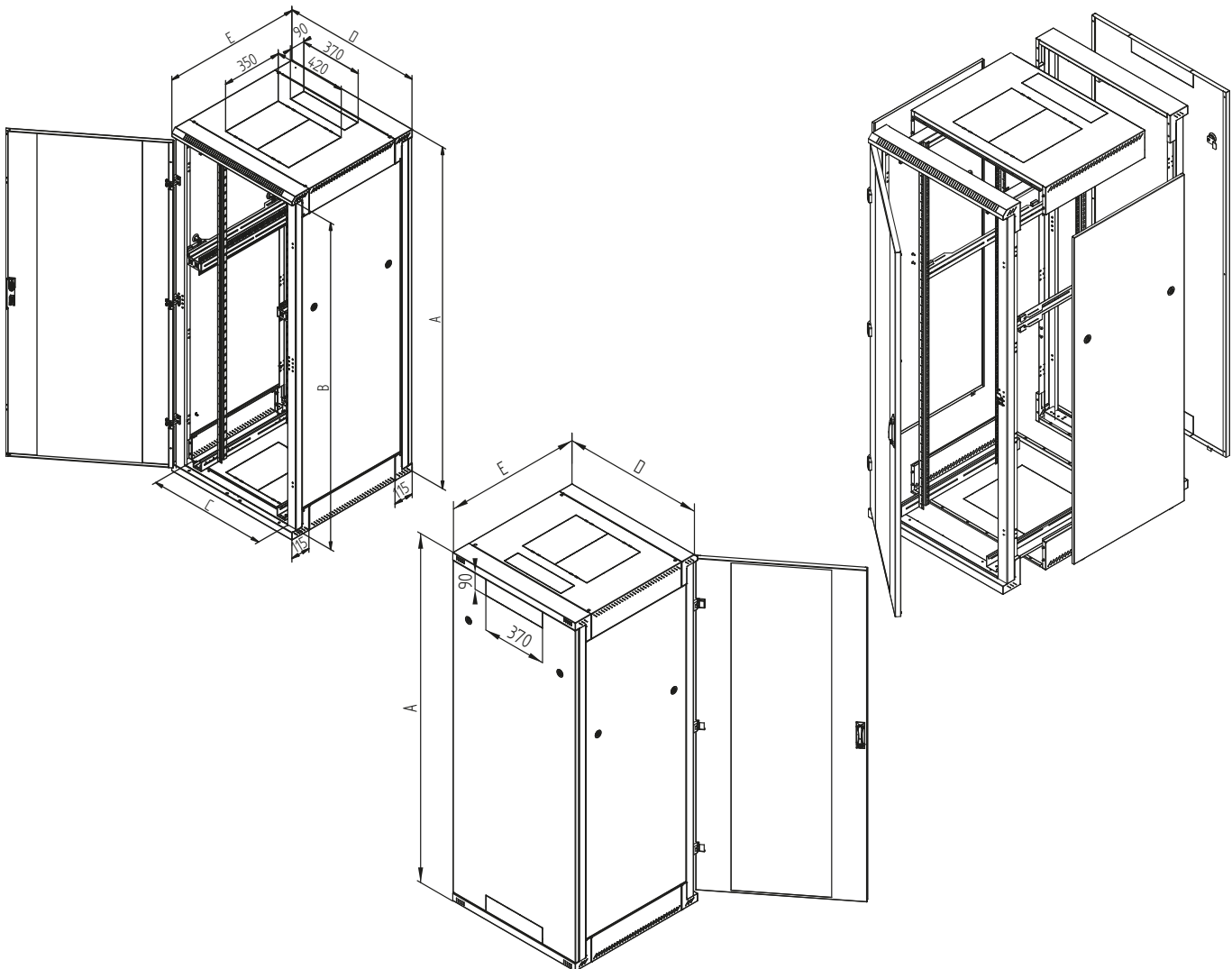
Type	A	B	C	D	E	Weight gross (kg)	Weight net (kg)	Maximum recommended load (kg)
RZA-15-A81-CAX-A1	770	684	687	800	1000	68,4	57,9	300
RZA-18-A81-CAX-A1	900	814	687	800	1000	73,7	63,3	
RZA-22-A81-CAX-A1	1080	994	687	800	1000	81,0	70,5	
RZA-27-A81-CAX-A1	1300	1214	687	800	1000	92,9	82,2	400
RZA-32-A81-CAX-A1	1525	1438	687	800	1000	102,5	91,8	
RZA-37-A81-CAX-A1	1750	1664	687	800	1000	112,3	101,4	
RZA-42-A81-CAX-A1	1970	1884	687	800	1000	121,8	110,8	
RZA-45-A81-CAX-A1	2105	2019	687	800	1000	127,6	116,6	
RZA-47-A81-CAX-A1	2194	2108	687	800	1000	131,5	120,5	

RZA 800 x 1100

Type	A	B	C	D	E	Weight gross (kg)	Weight net (kg)	Maximum recommended load (kg)
(mm)								
RZA-15-A80-CAX-A1	770	684	687	800	1100	79,7	65,8	300
RZA-18-A80-CAX-A1	900	814	687	800	1100	85,4	71,6	
RZA-22-A80-CAX-A1	1080	994	687	800	1100	93,3	79,4	
RZA-27-A80-CAX-A1	1300	1214	687	800	1100	101,9	87,9	400
RZA-32-A80-CAX-A1	1525	1438	687	800	1100	111,8	97,7	
RZA-37-A80-CAX-A1	1750	1664	687	800	1100	121,8	107,5	
RZA-42-A80-CAX-A1	1970	1884	687	800	1100	131,4	116,9	
RZA-45-A80-CAX-A1	2105	2019	687	800	1100	137,4	123,0	
RZA-47-A80-CAX-A1	2194	2108	687	800	1100	141,0	126,6	

RZA 800 x 1200

Type	A	B	C	D	E	Weight gross (kg)	Weight net (kg)	Maximum recommended load (kg)
(mm)								
RZA-15-A82-CAX-A1	770	684	687	800	1200	83,4	69,5	300
RZA-18-A82-CAX-A1	900	814	687	800	1200	88,8	75,1	
RZA-22-A82-CAX-A1	1080	994	687	800	1200	97,3	83,4	
RZA-27-A82-CAX-A1	1300	1214	687	800	1200	106,3	92,3	400
RZA-32-A82-CAX-A1	1525	1438	687	800	1200	116,5	102,4	
RZA-37-A82-CAX-A1	1750	1664	687	800	1200	124,9	110,7	
RZA-42-A82-CAX-A1	1970	1884	687	800	1200	136,9	122,4	
RZA-45-A82-CAX-A1	2105	2019	687	800	1200	143,1	128,7	
RZA-47-A82-CAX-A1	2194	2108	687	800	1200	146,8	132,4	



RZA free-standing cabinet

Description, purpose of use

- 19" free-standing cabinet with IP20 protection
- Cabinet includes 4 sliding vertical rails for device mounting (6 rails for cabinets deeper than 800 mm).
- Cabinet construction:
 - Steel frame joined by bolts from welded parts, with removable side panels
 - Single or double doors in all metal versions, perforated (80% and 86% air permeability) or glazed with safety tempered glass 4mm. They can be on the front or back of the cabinet.
- Max. permissible load of the door is 20 kg.
- Min. thickness of the surface finish is 65 µm.
- These cabinets are intended for installation of data and telecommunication devices and their distribution systems.
- The frame of the cabinet and all the removable parts (side and rear covers, doors...) are bonded with patch cables that have to be properly fixed and inserted into connectors throughout the period of use of the cabinet.
- There is one M8 screw placed on the bottom part of the cabinet to connect the bonding.
- Cable openings covered with breakout-type blanking panels are placed in the top and the bottom part of the cabinet.

Operating conditions

- Operating environment:
 - Office
 - The cabinet is not intended for outdoor installations and for installations in environment that can influence negatively the functionality of the cabinet and the mounted devices (e.g. environment with danger of explosion or humid and wet surroundings)
- Must be protected against:
 - Mechanical damage
 - Improper handling
 - A different usage than the cabinet is intended for
- Improper handling is especially:
 - Overloading (exceeding the maximum recommended load)
 - Installing devices which may negatively influence the operation and function of the cabinet or the installed equipment.
 - Change of the construction or design of the cabinet

Installation of the cabinet

- To ensure the maximum recommended load, it is necessary to distribute the load equally.
- Place the cabinet on a flat floor and adjust any differences using the levelling feet.
- To avoid dust penetration in the case where cables lead through some of the cable openings, it may be sealed with a blanking panel with a brush and secured by the fringe edge (both are included in the delivery).

Environmental protection

- All parts are made of recyclable materials and after decommissioning the cabinet, it must be disposed of according to relevant regulations

Certificate and conformity

- This product is certified with TÜV SÜD Czech.
Latest certificate is available at www.triton.cz/en/download/certificates.
Product is fully in accordance with ČSN EN 62208 ed.2:2012(EN 62208:2011).



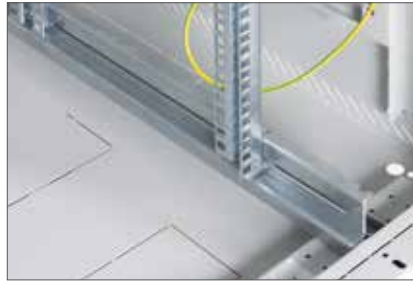
RTA

Welded cabinet with demountable side panels and back panel, IP 20, loading capacity 1200/1500 kg



■ Enlarged skeleton rails

Allow installation of accessories - PDU, cable and patch cord management etc.



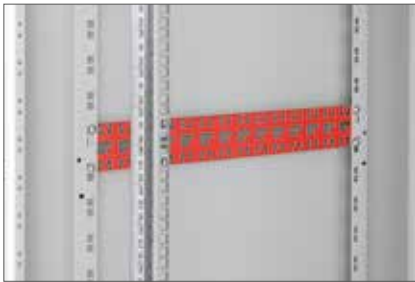
■ Sliding rail fixed at four points

It allows to freely adjust the position of the 19" vertical and ensures high load capacity



■ Triton handle

Just by replacing the plastic inlet (is not part of supply) you can choose classic or half-cylindrical lock. Patent: PUV 2013-27443



■ RAC-VP-D5x-X1

Horizontal cable management for cabinet skeleton (optional accessory) [🔗](#)



■ Power distribution units installed in skeleton (optional accessory) [🔗](#)



■ RAX-VP-Vxx-X2

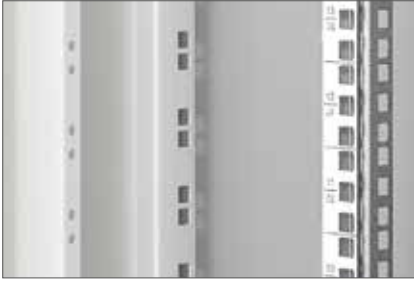
Accessory - vertical cable management in skeleton (optional accessory). [🔗](#)



■ RAC-IP-X01-X1

Rails for the increased IP30 protection (optional accessory).





■ **Installation holes in skeleton rails**
The openings in the entire height of the skeleton correspond to the unit spacing of the installation vertical rails.



■ **Marking of units**
Installation units are marked by laser on the vertical rails for convenience.



■ **Main earthing point M8**
An M8 screw is located in the cabinet entire installation earthing



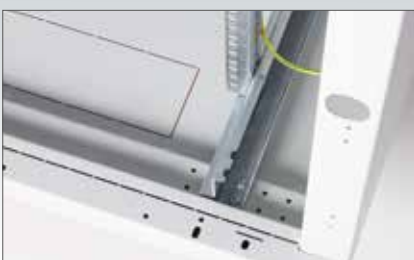
■ **Strengthened skeleton**
The RTA cabinet skeleton is designed with focus on high stability and loading capacity.



■ **Hook-on hinges**
Standard door hinges is possible to replace by hook-on version (**optional accessory**) 



■ **Fringe edge**
Protects cables from damage. 1m in supply



■ **Flex frame**
This system enables on cabinets of 800 mm width sliding rails to be installed in a span of 19", 21" and 23".



Load increase from 1200 to 1500 kg

RTA



Break-out cable entries

Cable entries and opening for the fan unit are made in the breakout form.



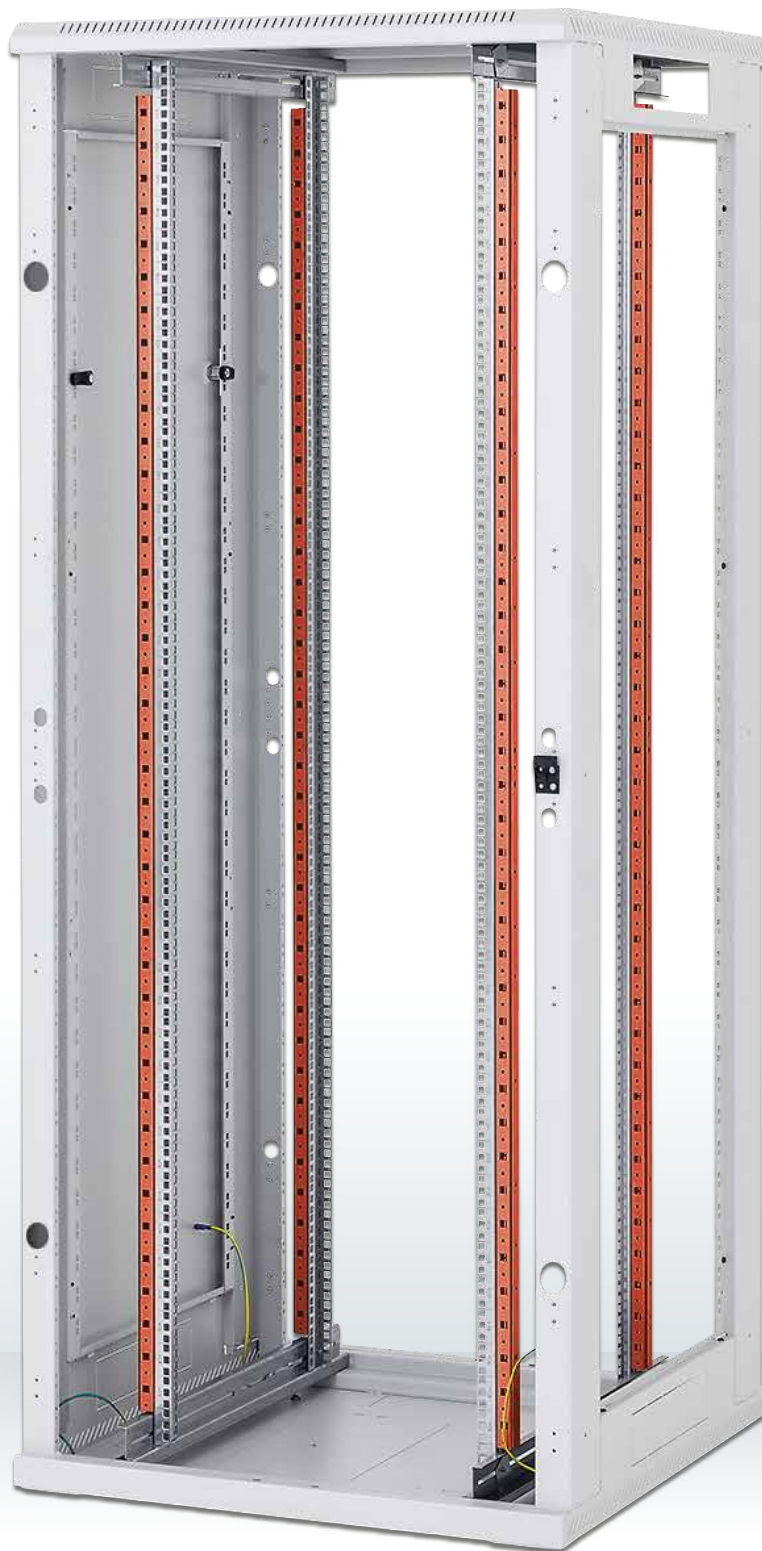
Bonding

All detachable parts are bonded in accordance to appropriate standard.



Vertical rails strengthening member

Additional profile that increase vertical rails stability (4 pcs). It increase cabinet max. load to 1500kg.



19" rail strength member, 4 pcs			
Type	Cabinet height in units	Weight gross (kg)	Weight net (kg)
RAX-VR-T37-X2	37	6,3	6,2
RAX-VR-T42-X2	42	7,1	7,0
RAX-VR-T45-X2	45	7,7	7,6
RAX-VR-T47-X2	47	8,0	7,9

RTA 600 x 600								
Type	A	B	C	D	E	Weight gross (kg)	Weight net (kg)	Maximal recommended load (kg)
	(mm)							
RTA-37-A66-CAX-A1	1750	1648	487	600	600	83,9	78,4	1200
RTA-42-A66-CAX-A1	1970	1868	487	600	600	92,0	86,4	
RTA-45-A66-CAX-A1	2105	2003	487	600	600	96,1	90,4	1500*
RTA-47-A66-CAX-A1	2194	2092	487	600	600	98,7	93,0	

RTA 600 x 800								
Type	A	B	C	D	E	Weight gross (kg)	Weight net (kg)	Maximal recommended load (kg)
	(mm)							
RTA-37-A68-CAX-A1	1750	1648	487	600	800	95,6	89,8	1200
RTA-42-A68-CAX-A1	1970	1868	487	600	800	104,5	98,6	
RTA-45-A68-CAX-A1	2105	2003	487	600	800	108,9	103,0	1500*
RTA-47-A68-CAX-A1	2194	2092	487	600	800	111,9	106,0	

RTA 600 x 900								
Type	A	B	C	D	E	Weight gross (kg)	Weight net (kg)	Maximal recommended load (kg)
	(mm)							
RTA-37-A69-CAX-A1	1750	1648	487	600	900	101,3	95,4	1200
RTA-42-A69-CAX-A1	1970	1868	487	600	900	110,5	104,5	
RTA-45-A69-CAX-A1	2105	2003	487	600	900	115,2	109,2	1500*
RTA-47-A69-CAX-A1	2194	2092	487	600	900	118,3	112,3	

RTA 600 x 1000								
Type	A	B	C	D	E	Weight gross (kg)	Weight net (kg)	Maximal recommended load (kg)
	(mm)							
RTA-37-A61-CAX-A1	1750	1648	487	600	1000	107,2	101,0	1200
RTA-42-A61-CAX-A1	1970	1868	487	600	1000	116,7	110,5	
RTA-45-A61-CAX-A1	2105	2003	487	600	1000	121,7	115,4	1500*
RTA-47-A61-CAX-A1	2194	2092	487	600	1000	124,9	118,7	

RTA 600 x 1100								
Type	A	B	C	D	E	Weight gross (kg)	Weight net (kg)	Maximal recommended load (kg)
	(mm)							
RTA-37-A60-CAX-A1	1750	1648	487	600	1100	113,7	106,7	1200
RTA-42-A60-CAX-A1	1970	1868	487	600	1100	123,6	116,5	
RTA-45-A60-CAX-A1	2105	2003	487	600	1100	128,7	121,7	1500*
RTA-47-A60-CAX-A1	2194	2092	487	600	1100	132,1	125,0	

RTA 600 x 1200								
Type	A	B	C	D	E	Weight gross (kg)	Weight net (kg)	Maximal recommended load (kg)
	(mm)							
RTA-37-A62-CAX-A1	1750	1648	487	600	1200	117,7	110,4	1200
RTA-42-A62-CAX-A1	1970	1868	487	600	1200	129,9	122,6	
RTA-45-A62-CAX-A1	2105	2003	487	600	1200	135,3	127,9	1500*
RTA-47-A62-CAX-A1	2194	2092	487	600	1200	138,7	131,3	

* With using of strengthening members of vertical rails.

RTA 800 x 600

Type	A	B	C	D	E	Weight gross (kg)	Weight net (kg)	Maximal recommended load (kg)
RTA-15-A86-CAX-A1	770	668	687	800	600	55,7	50,1	1200 1500*
RTA-18-A86-CAX-A1	900	798	687	800	600	60,3	54,7	
RTA-22-A86-CAX-A1	1080	978	687	800	600	66,7	61,0	
RTA-27-A86-CAX-A1	1300	1198	687	800	600	74,6	68,7	
RTA-32-A86-CAX-A1	1525	1423	687	800	600	82,5	76,6	
RTA-37-A86-CAX-A1	1750	1648	687	800	600	93,9	87,8	
RTA-42-A86-CAX-A1	1970	1868	687	800	600	102,8	96,6	
RTA-45-A86-CAX-A1	2105	2003	687	800	600	107,3	101,1	
RTA-47-A86-CAX-A1	2194	2092	687	800	600	110,2	104,0	

RTA 800 x 800

Type	A	B	C	D	E	Weight gross (kg)	Weight net (kg)	Maximal recommended load (kg)
RTA-15-A88-CAX-A1	770	668	687	800	800	65,8	59,5	1200 1500*
RTA-18-A88-CAX-A1	900	798	687	800	800	70,9	64,5	
RTA-22-A88-CAX-A1	1080	978	687	800	800	79,1	72,7	
RTA-27-A88-CAX-A1	1300	1198	687	800	800	86,4	79,8	
RTA-32-A88-CAX-A1	1525	1423	687	800	800	95,1	88,5	
RTA-37-A88-CAX-A1	1750	1648	687	800	800	107,2	100,4	
RTA-42-A88-CAX-A1	1970	1868	687	800	800	116,9	109,9	
RTA-45-A88-CAX-A1	2105	2003	687	800	800	121,8	114,8	
RTA-47-A88-CAX-A1	2194	2092	687	800	800	125,1	118,1	

RTA 800 x 900

Type	A	B	C	D	E	Weight gross (kg)	Weight net (kg)	Maximal recommended load (kg)
RTA-15-A89-CAX-A1	770	668	687	800	900	70,5	63,5	1200 1500*
RTA-18-A89-CAX-A1	900	798	687	800	900	75,8	68,8	
RTA-22-A89-CAX-A1	1080	978	687	800	900	83,0	76,0	
RTA-27-A89-CAX-A1	1300	1198	687	800	900	92,0	84,8	
RTA-32-A89-CAX-A1	1525	1423	687	800	900	101,1	93,8	
RTA-37-A89-CAX-A1	1750	1648	687	800	900	113,6	106,1	
RTA-42-A89-CAX-A1	1970	1868	687	800	900	123,6	116,0	
RTA-45-A89-CAX-A1	2105	2003	687	800	900	128,7	121,1	
RTA-47-A89-CAX-A1	2194	2092	687	800	900	132,2	124,5	

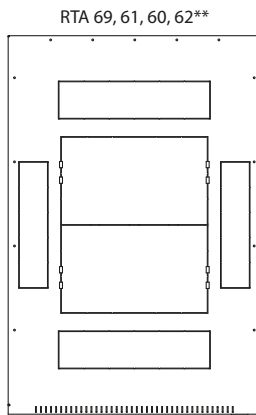
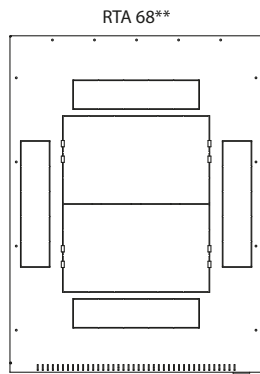
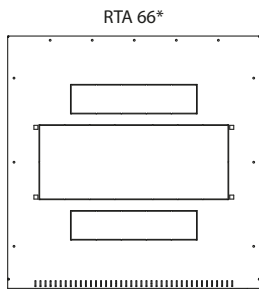
RTA 800 x 1000

Type	A	B	C	D	E	Weight gross (kg)	Weight net (kg)	Maximal recommended load (kg)
RTA-15-A81-CAX-A1	770	668	687	800	1000	75,2	68,0	1200 1500*
RTA-18-A81-CAX-A1	900	798	687	800	1000	88,2	80,9	
RTA-22-A81-CAX-A1	1080	978	687	800	1000	97,5	90,1	
RTA-27-A81-CAX-A1	1300	1198	687	800	1000	107,0	99,5	
RTA-32-A81-CAX-A1	1525	1423	687	800	1000	119,8	112,2	
RTA-37-A81-CAX-A1	1750	1648	687	800	1000	130,2	122,4	
RTA-42-A81-CAX-A1	1970	1868	687	800	1000	135,6	127,8	
RTA-45-A81-CAX-A1	2105	2003	687	800	1000	139,2	131,4	
RTA-47-A81-CAX-A1	2194	2092	687	800	1000	126,0	120,0	

RTA 800 x 1100								
Type	A	B	C	D	E	Weight gross (kg)	Weight net (kg)	Maximal recommended load (kg)
(mm)								
RTA-15-A80-CAX-A1	770	668	687	800	1100	79,7	72,8	1200 1500*
RTA-18-A80-CAX-A1	900	798	687	800	1100	85,1	78,1	
RTA-22-A80-CAX-A1	1080	978	687	800	1100	92,9	85,9	
RTA-27-A80-CAX-A1	1300	1198	687	800	1100	102,6	95,5	
RTA-32-A80-CAX-A1	1525	1423	687	800	1100	112,4	105,2	
RTA-37-A80-CAX-A1	1750	1648	687	800	1100	125,6	118,3	
RTA-42-A80-CAX-A1	1970	1868	687	800	1100	136,4	128,9	
RTA-45-A80-CAX-A1	2105	2003	687	800	1100	142,0	134,4	
RTA-47-A80-CAX-A1	2194	2092	687	800	1100	145,7	138,1	

RTA 800 x 1200								
Type	A	B	C	D	E	Weight gross (kg)	Weight net (kg)	Maximal recommended load (kg)
(mm)								
RTA-15-A82-CAX-A1	770	668	687	800	1200	83,9	76,9	1200 1500*
RTA-18-A82-CAX-A1	900	798	687	800	1200	89,8	82,8	
RTA-22-A82-CAX-A1	1080	978	687	800	1200	98,0	90,9	
RTA-27-A82-CAX-A1	1300	1198	687	800	1200	108,0	100,8	
RTA-32-A82-CAX-A1	1525	1423	687	800	1200	118,2	110,9	
RTA-37-A82-CAX-A1	1750	1648	687	800	1200	129,9	122,4	
RTA-42-A82-CAX-A1	1970	1868	687	800	1200	142,9	135,3	
RTA-45-A82-CAX-A1	2105	2003	687	800	1200	148,7	141,1	
RTA-47-A82-CAX-A1	2194	2092	687	800	1200	152,6	145,0	

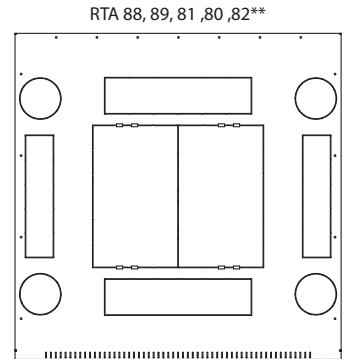
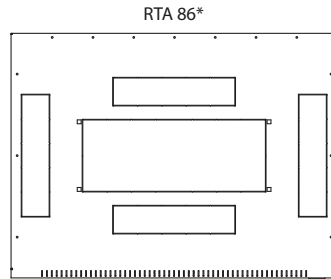
* With using of strengthening members of vertical rails.



Following fan units may be used

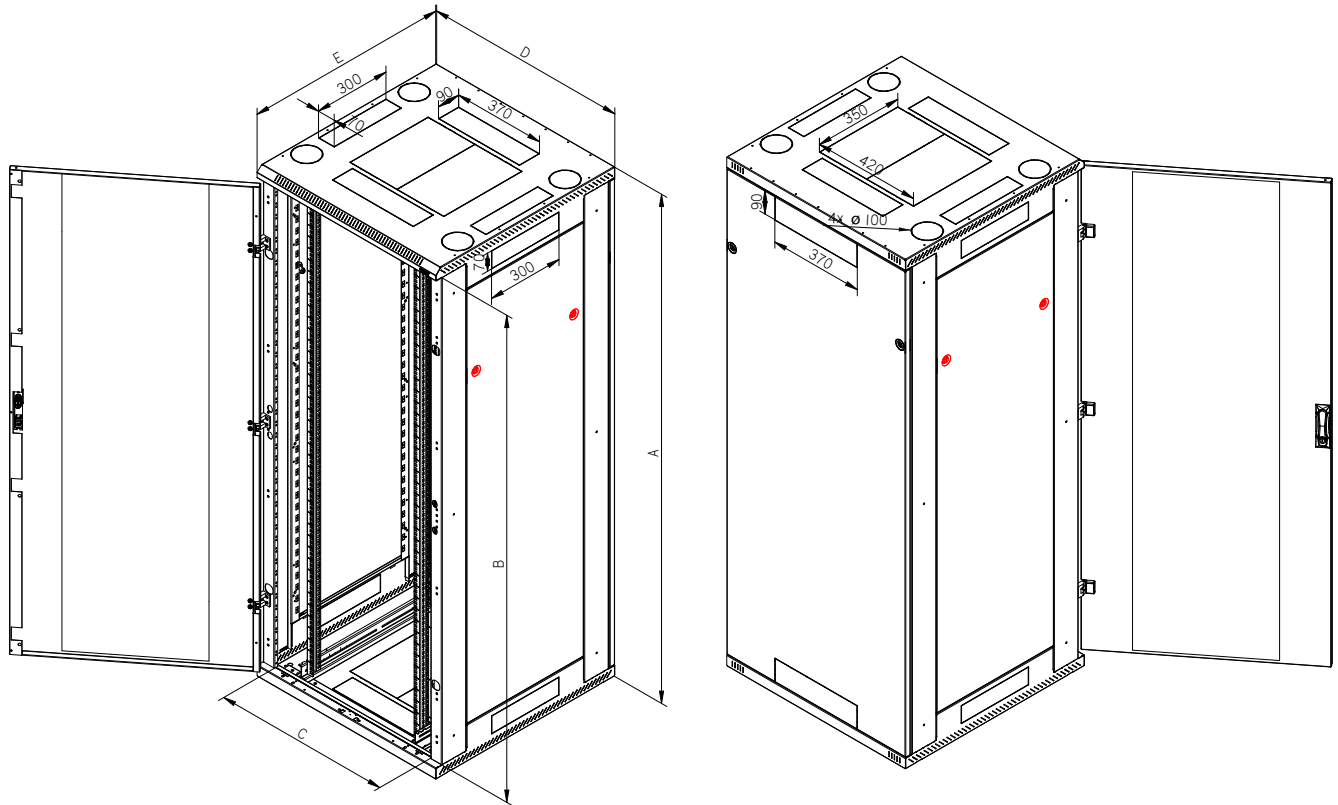
* RAC-CH-X20(21,16)-A2

** RAC-CH-X03(04,05)-X3



Variant A1

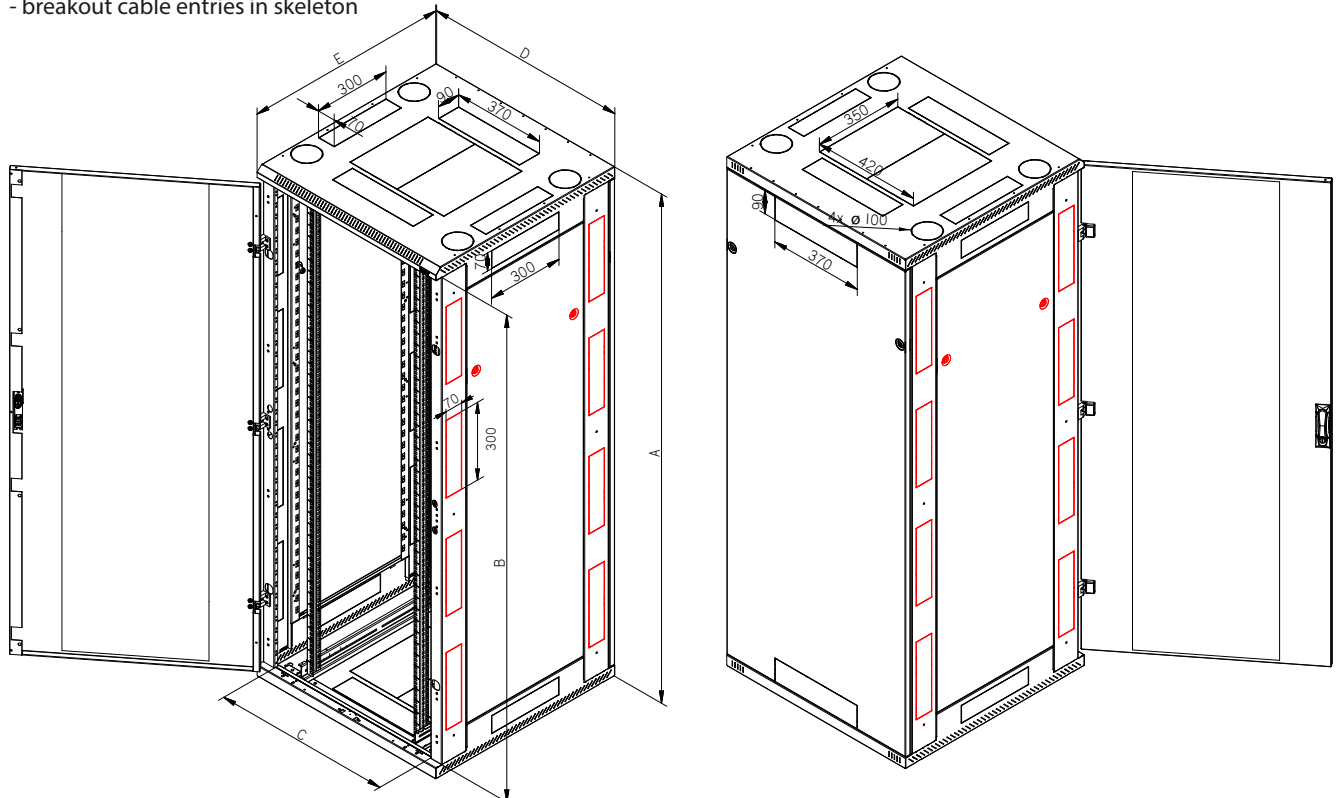
- with metal bottom,
- base, levelling feet and castors possible,
- side panels fixed by locks



RTA

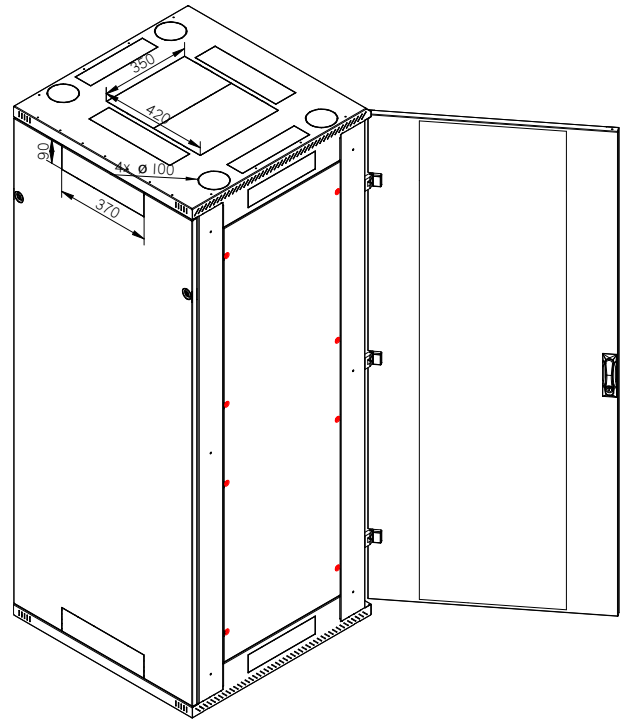
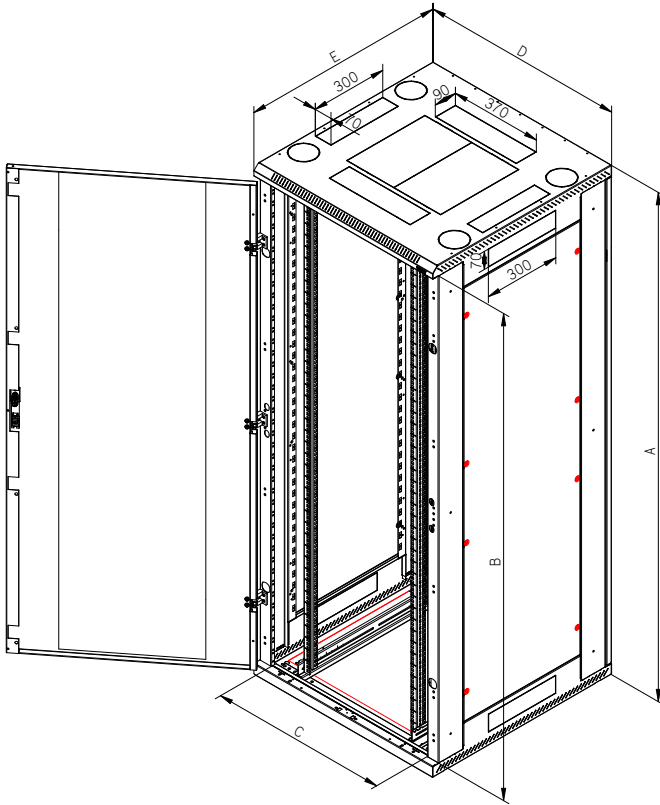
Variant A5

- with metal bottom
- base, levelling feet and castors possible
- side panels fixed by locks
- breakout cable entries in skeleton



Variant A3 for data centers

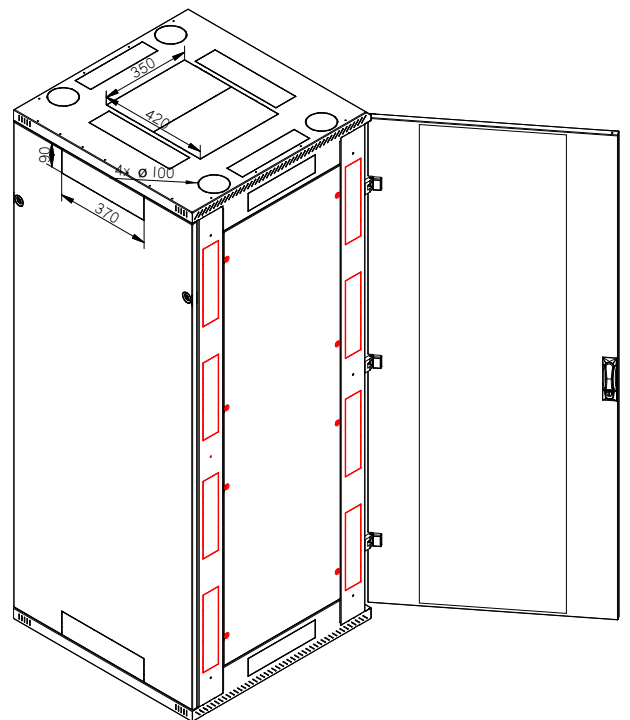
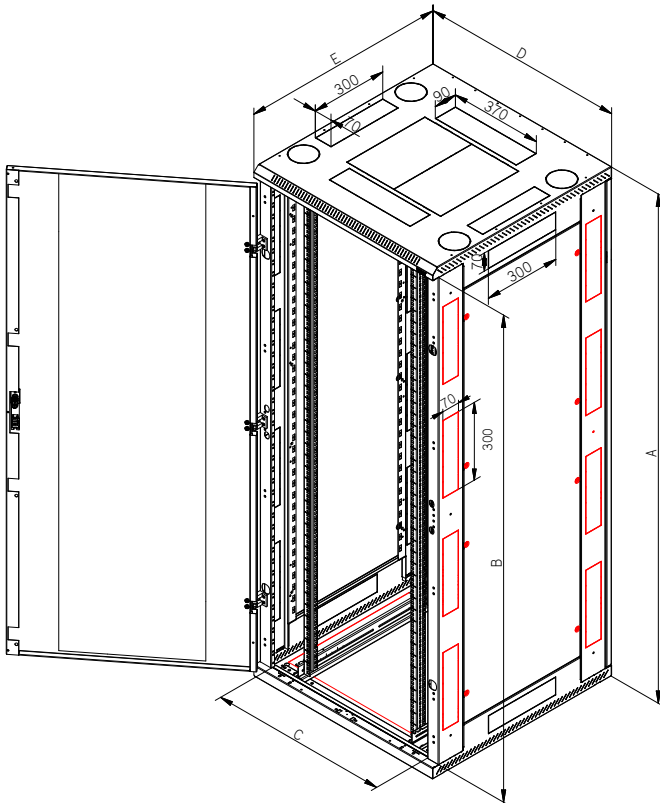
- without metal bottom
- base, levelling feet and castors possible
- side panels fixed by recessed screws from the outside (from inside possible on request)



RTA

Variant A7 for data centers

- without metal bottom
- base, levelling feet and castors possible
- side panels fixed by recessed screws from the outside (from inside possible on request)
- breakout cable entries in skeleton



Server cabinet RTA

Description, purpose of use

- 19" free-standing cabinet with IP20 protection
- Cabinet includes 4 sliding vertical rails for device mounting (6 rails for cabinets deeper than 800 mm).
- Cabinet construction:
 - Welded steel frame with removable side panels
 - Single or double doors in all metal versions, perforated (80% and 86% air permeability) or glazed with safety tempered glass 4 mm. They can be on the front or back of the cabinet.
 - Preparation for installation of vertical cable management panels and power distribution units
 - Preparation for joining the cabinets together
 - A5 and A7 version have a breakout cable entries in the frame for the protected cabling between cabinets
 - Cabinets 800mm wide has at the top round breakout cable entries at the corners
- The maximum recommended load of cabinet is 1200 kg (1500kg with the strength members), maximum load of the door is 20 kg.
- The racks are designed for installation of data and telecommunication equipment and distribution systems.
- The frame of the cabinet and all the removable parts (side and rear covers, doors...) are bonded with patch cables that have to be properly fixed and inserted into connectors throughout the period of use of the cabinet.
- There is one M8 screw placed on the bottom part of the cabinet to connect the earthing wire.
- Can be mounted on the base, levelling feet or castors.
- Cable openings covered with breakout-type blanking panels are placed in the top and the bottom part of the cabinet.

Operating conditions

- Operating environment:
 - Office
 - The cabinet is not intended for outdoor installations and for installations in environment that can influence negatively the functionality of the cabinet and the mounted devices (e.g. environment with danger of explosion)
- Must be protected against:
 - Mechanical damage
 - Improper handling
 - A different usage than the cabinet is intended for
- Improper handling is especially:
 - Overloading (exceeding the maximum recommended load)
 - Installing devices which may negatively influence the operation and function of the cabinet or the installed equipment.
 - Change of the construction or design of the cabinet

Installation of the cabinet

- To ensure the maximum recommended load, it is necessary to distribute the load equally.
- Place the cabinet on a flat floor and adjust any differences using the levelling feet (included in the supply of the cabinet).
- To avoid dust penetration in the case where cables lead through some of the cable openings, it may be sealed with a blanking panel with a brush and secured by the fringe edge (both are included in the supply of the cabinet).

Environmental protection

- All parts are made of recyclable materials and after decommissioning the cabinet, it must be disposed of according to relevant regulations

Certificate and conformity

- This product is fully in accordance with ČSN EN 62208 ed.2:2012(EN 62208:2011).



RYA

RYA

Assembled cabinet easily decomposable, IP 20,
loading capacity 1200 / 1500 kg



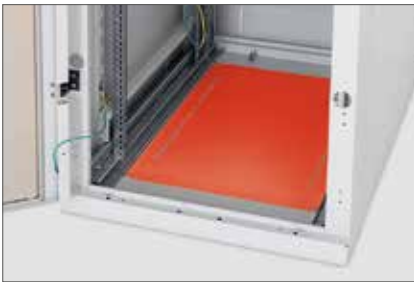
■ **Vertical rails**
in the cabinet 600 mm wide



■ **Installing of the skeleton**
by load-bearing elements and screws



■ **Triton handle**
Just by replacing the plastic inlet (is not part of supply) you can choose classic or half-cylindrical lock. Patent: PUV 2013-27443



■ **RAC-ZP-Yxx-X1**
Bottom blanking panel (optional accessory). [🔗](#)



■ **RAC-VP-D5x-X1**
Accessory - horizontal cable management (optional accessory). [🔗](#)



■ **RAX-VP-Vxx-X2**
Accessory - vertical cable management in skeleton (optional accessory). [🔗](#)



■ **Power distribution units**
integrated holder of PDU in every corner (in combination with optional accessory)





■ **Fringe edge**

Protects cables from damage. 1m in supply



■ **Perforated skeleton rails**

Square perforation for the captive nuts alongside whole height of the rail in the unit span allows additional accessory installation.



■ **Marking of units**

Installation units are marked by laser on the vertical rails for convenience.



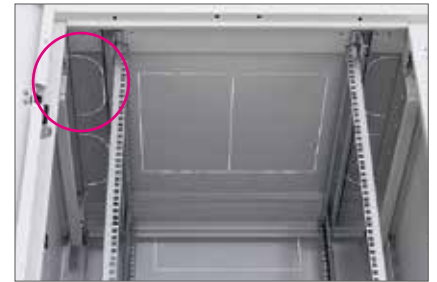
■ **Flex frame**

The system allows for 800 mm wide cabinets install vertical installation rails in the span of 19", 21" and 23".



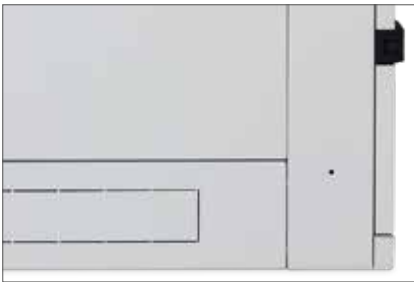
■ **Bonding**

All detachable parts are bonded in accordance to appropriate standard.



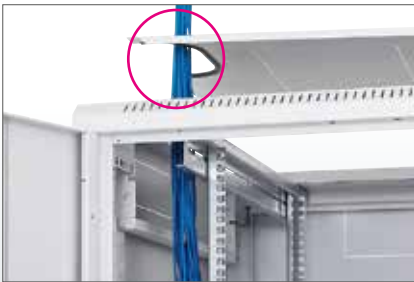
■ **Break-out cable entries**

on side edges of roof cover



■ **Enlarged skeleton rails**

Allow installation of accessories - PDU, cable and patch cord management etc.



■ **Installation of cables**

mounting without pulling of the cables



Load increase from 1200 to 1500 kg



■ 19" rail strength member

Close profile (4 pcs) - made from cold-rolled steel. It increases the loading capacity of the cabinet up to 1500 kg. With RYA cabinet can be used just for version 800mm wide.

19" rail strength member

Type	Cabinet height in units	Weight gross (kg)	Weight net (kg)
RAX-VR-T37-X2	37	6,3	6,2
RAX-VR-T42-X2	42	7,1	7,0
RAX-VR-T45-X2	45	7,7	7,6
RAX-VR-T47-X2	47	8,0	7,9

RYA 600 x 600

Type	A	B	C	D	E	Weight gross (kg)	Weight net (kg)	Maximal recommended load (kg)
RYA-15-A66-CAX-A1	770	668	487	600	600	50,2	45,1	1200
RYA-18-A66-CAX-A1	900	798	487	600	600	54,6	49,4	
RYA-22-A66-CAX-A1	1080	978	487	600	600	60,1	54,9	
RYA-27-A66-CAX-A1	1300	1198	487	600	600	67,5	62,1	
RYA-32-A66-CAX-A1	1525	1423	487	600	600	74,9	69,5	
RYA-37-A66-CAX-A1	1750	1648	487	600	600	82,4	76,9	
RYA-42-A66-CAX-A1	1970	1868	487	600	600	90,2	84,7	
RYA-45-A66-CAX-A1	2105	2003	487	600	600	94,1	88,5	
RYA-47-A66-CAX-A1	2194	2092	487	600	600	96,8	91,2	

RYA 600 x 800

Type	A	B	C	D	E	Weight gross (kg)	Weight net (kg)	Maximal recommended load (kg)
RYA-15-A68-CAX-A1	770	668	487	600	800	58,2	52,8	1200
RYA-18-A68-CAX-A1	900	798	487	600	800	63,0	57,5	
RYA-22-A68-CAX-A1	1080	978	487	600	800	69,2	63,7	
RYA-27-A68-CAX-A1	1300	1198	487	600	800	76,9	71,3	
RYA-32-A68-CAX-A1	1525	1423	487	600	800	85,1	79,4	
RYA-37-A68-CAX-A1	1750	1648	487	600	800	93,4	87,5	
RYA-42-A68-CAX-A1	1970	1868	487	600	800	102,2	96,3	
RYA-45-A68-CAX-A1	2105	2003	487	600	800	106,2	100,3	
RYA-47-A68-CAX-A1	2194	2092	487	600	800	109,2	103,3	

RYA 600 x 900								
Type	A	B	C	D	E	Weight gross (kg)	Weight net (kg)	Maximal recommended load (kg)
	(mm)							
RYA-15-A69-CAX-A1	770	668	487	600	900	62,5	56,9	1200
RYA-18-A69-CAX-A1	900	798	487	600	900	66,7	61,1	
RYA-22-A69-CAX-A1	1080	978	487	600	900	73,2	67,6	
RYA-27-A69-CAX-A1	1300	1198	487	600	900	81,6	75,9	
RYA-32-A69-CAX-A1	1525	1423	487	600	900	90,2	84,4	
RYA-37-A69-CAX-A1	1750	1648	487	600	900	98,9	92,9	
RYA-42-A69-CAX-A1	1970	1868	487	600	900	107,1	101,1	
RYA-45-A69-CAX-A1	2105	2003	487	600	900	112,3	106,3	
RYA-47-A69-CAX-A1	2194	2092	487	600	900	115,5	109,5	

RYA 600 x 1000								
Type	A	B	C	D	E	Weight gross (kg)	Weight net (kg)	Maximal recommended load (kg)
	(mm)							
RYA-15-A61-CAX-A1	770	668	487	600	1000	65,5	59,8	1200
RYA-18-A61-CAX-A1	900	798	487	600	1000	70,7	65,0	
RYA-22-A61-CAX-A1	1080	978	487	600	1000	77,5	71,7	
RYA-27-A61-CAX-A1	1300	1198	487	600	1000	86,3	80,3	
RYA-32-A61-CAX-A1	1525	1423	487	600	1000	95,2	89,2	
RYA-37-A61-CAX-A1	1750	1648	487	600	1000	104,2	98,0	
RYA-42-A61-CAX-A1	1970	1868	487	600	1000	113,5	107,3	
RYA-45-A61-CAX-A1	2105	2003	487	600	1000	118,2	112,0	
RYA-47-A61-CAX-A1	2194	2092	487	600	1000	121,5	115,3	

RYA 600 x 1100								
Type	A	B	C	D	E	Weight gross (kg)	Weight net (kg)	Maximal recommended load (kg)
	(mm)							
RYA-15-A60-CAX-A1	770	668	487	600	1100	70,4	63,7	1200
RYA-18-A60-CAX-A1	900	798	487	600	1100	75,4	68,8	
RYA-22-A60-CAX-A1	1080	978	487	600	1100	82,6	75,9	
RYA-27-A60-CAX-A1	1300	1198	487	600	1100	91,7	84,9	
RYA-32-A60-CAX-A1	1525	1423	487	600	1100	101,0	94,2	
RYA-37-A60-CAX-A1	1750	1648	487	600	1100	110,5	103,4	
RYA-42-A60-CAX-A1	1970	1868	487	600	1100	119,6	112,5	
RYA-45-A60-CAX-A1	2105	2003	487	600	1100	125,1	118,0	
RYA-47-A60-CAX-A1	2194	2092	487	600	1100	128,6	121,5	

RYA 600 x 1200								
Type	A	B	C	D	E	Weight gross (kg)	Weight net (kg)	Maximal recommended load (kg)
	(mm)							
RYA-15-A62-CAX-A1	770	668	487	600	1200	74,0	67,1	1200
RYA-18-A62-CAX-A1	900	798	487	600	1200	79,6	72,7	
RYA-22-A62-CAX-A1	1080	978	487	600	1200	87,0	80,0	
RYA-27-A62-CAX-A1	1300	1198	487	600	1200	96,5	89,4	
RYA-32-A62-CAX-A1	1525	1423	487	600	1200	106,1	98,9	
RYA-37-A62-CAX-A1	1750	1648	487	600	1200	115,9	108,6	
RYA-42-A62-CAX-A1	1970	1868	487	600	1200	125,9	118,5	
RYA-45-A62-CAX-A1	2105	2003	487	600	1200	131,1	123,7	
RYA-47-A62-CAX-A1	2194	2092	487	600	1200	134,7	127,3	

RYA 800 x 600

Type	A	B	C	D	E	Weight gross (kg)	Weight net (kg)	Maximal recommended load (kg)
RYA-15-A86-CAX-A1	770	668	687	800	600	56,9	51,3	1200 1500*
RYA-18-A86-CAX-A1	900	798	687	800	600	61,7	56,0	
RYA-22-A86-CAX-A1	1080	978	687	800	600	67,8	62,2	
RYA-27-A86-CAX-A1	1300	1198	687	800	600	82,5	76,7	
RYA-32-A86-CAX-A1	1525	1423	687	800	600	84,1	78,2	
RYA-37-A86-CAX-A1	1750	1648	687	800	600	92,4	86,3	
RYA-42-A86-CAX-A1	1970	1868	687	800	600	101,0	94,8	
RYA-45-A86-CAX-A1	2105	2003	687	800	600	104,5	98,3	
RYA-47-A86-CAX-A1	2194	2092	687	800	600	108,4	102,1	

RYA 800 x 800

Type	A	B	C	D	E	Weight gross (kg)	Weight net (kg)	Maximal recommended load (kg)
RYA-15-A88-CAX-A1	770	668	687	800	800	65,3	59,0	1200 1500*
RYA-18-A88-CAX-A1	900	798	687	800	800	70,6	64,2	
RYA-22-A88-CAX-A1	1080	978	687	800	800	77,4	71,0	
RYA-27-A88-CAX-A1	1300	1198	687	800	800	92,7	86,1	
RYA-32-A88-CAX-A1	1525	1423	687	800	800	95,0	88,4	
RYA-37-A88-CAX-A1	1750	1648	687	800	800	104,1	97,3	
RYA-42-A88-CAX-A1	1970	1868	687	800	800	109,7	102,8	
RYA-45-A88-CAX-A1	2105	2003	687	800	800	117,4	110,4	
RYA-47-A88-CAX-A1	2194	2092	687	800	800	115,6	108,6	

RYA 800 x 900

Type	A	B	C	D	E	Weight gross (kg)	Weight net (kg)	Maximal recommended load (kg)
RYA-15-A89-CAX-A1	770	668	687	800	900	69,2	62,2	1200 1500*
RYA-18-A89-CAX-A1	900	798	687	800	900	74,6	67,6	
RYA-22-A89-CAX-A1	1080	978	687	800	900	81,7	74,7	
RYA-27-A89-CAX-A1	1300	1198	687	800	900	90,9	83,7	
RYA-32-A89-CAX-A1	1525	1423	687	800	900	100,2	92,9	
RYA-37-A89-CAX-A1	1750	1648	687	800	900	109,7	102,2	
RYA-42-A89-CAX-A1	1970	1868	687	800	900	118,8	111,2	
RYA-45-A89-CAX-A1	2105	2003	687	800	900	123,6	116,0	
RYA-47-A89-CAX-A1	2194	2092	687	800	900	127,9	120,3	

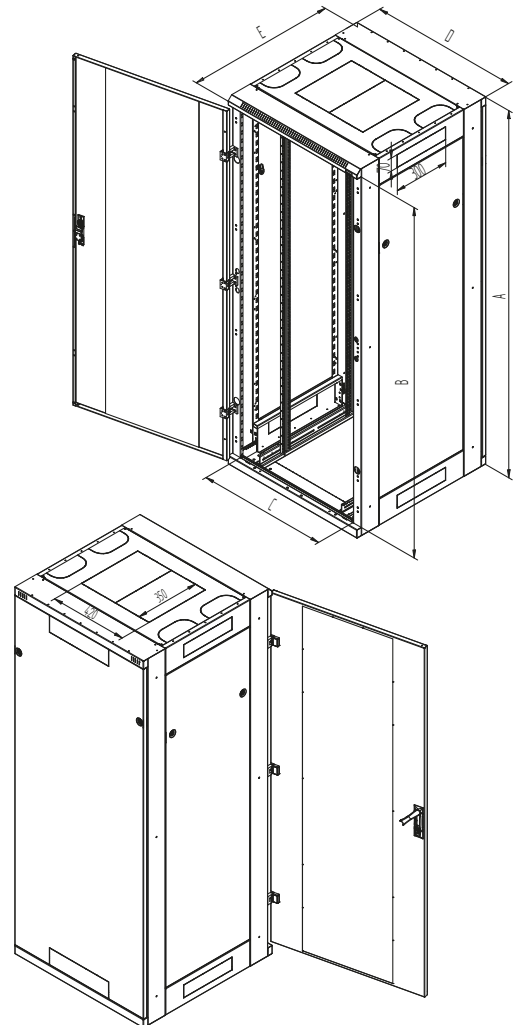
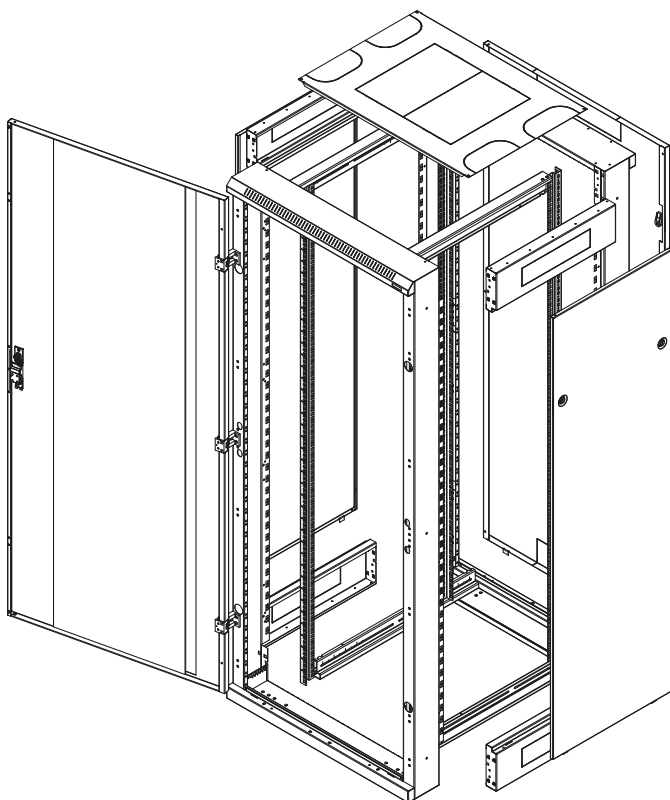
RYA 800 x 1000

Type	A	B	C	D	E	Weight gross (kg)	Weight net (kg)	Maximal recommended load (kg)
RYA-15-A81-CAX-A1	770	668	687	800	1000	75,7	68,5	1200 1500*
RYA-18-A81-CAX-A1	900	798	687	800	1000	81,3	74,1	
RYA-22-A81-CAX-A1	1080	978	687	800	1000	88,7	81,4	
RYA-27-A81-CAX-A1	1300	1198	687	800	1000	104,8	97,4	
RYA-32-A81-CAX-A1	1525	1423	687	800	1000	107,8	100,4	
RYA-37-A81-CAX-A1	1750	1648	687	800	1000	117,6	110,0	
RYA-42-A81-CAX-A1	1970	1868	687	800	1000	127,7	120,0	
RYA-45-A81-CAX-A1	2105	2003	687	800	1000	132,1	124,3	
RYA-47-A81-CAX-A1	2194	2092	687	800	1000	136,5	128,7	

RYA 800 x 1100								
Type	A	B	C	D	E	Weight gross (kg)	Weight net (kg)	Maximal recommended load (kg)
(mm)								
RYA-15-A80-CAX-A1	770	668	687	800	1100	79,5	72,6	1200 1500*
RYA-18-A80-CAX-A1	900	798	687	800	1100	85,1	78,1	
RYA-22-A80-CAX-A1	1080	978	687	800	1100	92,8	85,8	
RYA-27-A80-CAX-A1	1300	1198	687	800	1100	102,7	95,6	
RYA-32-A80-CAX-A1	1525	1423	687	800	1100	112,7	105,5	
RYA-37-A80-CAX-A1	1750	1648	687	800	1100	122,9	115,6	
RYA-42-A80-CAX-A1	1970	1868	687	800	1100	132,8	125,3	
RYA-45-A80-CAX-A1	2105	2003	687	800	1100	138,0	130,5	
RYA-47-A80-CAX-A1	2194	2092	687	800	1100	142,6	135,0	

RYA 800 x 1200								
Type	A	B	C	D	E	Weight gross (kg)	Weight net (kg)	Maximal recommended load (kg)
(mm)								
RYA-15-A82-CAX-A1	770	668	687	800	1200	83,1	76,1	1200 1500*
RYA-18-A82-CAX-A1	900	798	687	800	1200	89,2	82,2	
RYA-22-A82-CAX-A1	1080	978	687	800	1200	97,1	90,1	
RYA-27-A82-CAX-A1	1300	1198	687	800	1200	107,5	100,2	
RYA-32-A82-CAX-A1	1525	1423	687	800	1200	117,8	110,5	
RYA-37-A82-CAX-A1	1750	1648	687	800	1200	128,3	120,9	
RYA-42-A82-CAX-A1	1970	1868	687	800	1200	139,1	131,5	
RYA-45-A82-CAX-A1	2105	2003	687	800	1200	143,9	136,3	
RYA-47-A82-CAX-A1	2194	2092	687	800	1200	148,7	141,0	

* With using of strengthening members of vertical rails.



Server cabinet RYA

Description, purpose of use

- 19" free-standing cabinet with IP20 protection
- Cabinet includes 4 sliding vertical rails for device mounting (6 rails for cabinets deeper than 800 mm).
- Cabinet construction:
 - Welded steel frame with removable side panels
 - Single or double doors in all metal versions, perforated (80% and 86% air permeability) or glazed with safety tempered glass 4 mm. They can be on the front or back of the cabinet.
 - Preparation for installation of vertical cable management panels and power distribution units
 - Preparation for joining the cabinets together
- The maximum recommended load of cabinet is 1200kg (1500kg with strength members), maximum load of the door is 20 kg.
- The racks are designed for installation of data and telecommunication equipment and distribution systems.
- The frame of the cabinet and all the removable parts (side and rear covers, doors...) are bonded with patch cables that have to be properly fixed and inserted into connectors throughout the period of use of the cabinet.
- There is one M8 screw placed on the bottom part of the cabinet to connect the earthing wire.
- Can be mounted on the base, levelling feet or castors.
- Cable openings covered with breakout-type blanking panels are placed in the top and the bottom part of the cabinet.

Operating conditions

- Operating environment:
 - Office
 - The cabinet is not intended for outdoor installations and for installations in environment that can influence negatively the functionality of the cabinet and the mounted devices (e.g. environment with danger of explosion)
- Must be protected against:
 - Mechanical damage
 - Improper handling
 - A different usage than the cabinet is intended for
- Improper handling is especially:
 - Overloading (exceeding the maximum recommended load)
 - Installing devices which may negatively influence the operation and function of the cabinet or the installed equipment.
 - Change of the construction or design of the cabinet

Installation of the cabinet

- To ensure the maximum recommended load, it is necessary to distribute the load equally.
- Place the cabinet on a flat floor and adjust any differences using the levelling feet (included in the supply of the cabinet).
- To avoid dust penetration in the case where cables lead through some of the cable openings, it may be sealed with a blanking panel with a brush and secured by the fringe edge (both are included in the supply of the cabinet).

Environmental protection

- All parts are made of recyclable materials and after decommissioning the cabinet, it must be disposed of according to relevant regulations

Certificate and conformity

- This product is fully in accordance with ČSN EN 62208 ed.2:2012(EN 62208:2011).



RDA

the server cabinet **RDA**

Welded server cabinet,
IP20, capacity 1800 kg



■ Loading capacity 1800 kg

The RDA data cabinet has a reinforced construction and it is made of thicker material. Also 19" vertical rails are designed for a higher loading capacity. A version with depth over 800 mm has a central pair of vertical rails as a standard solution.



■ Triton handles

We manufacture our own handles for the free-standing cabinets. By changing the plastic module (not included), a traditional or half-cylindrical lock insert can be used. Patent: PUV 2013-27443



■ Cooling air intake (A3, A7)

In the bottom of the cabinet is large opening for cable entry and the cooling air from beneath the raised floor. These models RDA (A3 and A7) are installed directly on the floor without levelling feet.

RDA 800 x 1000 mm




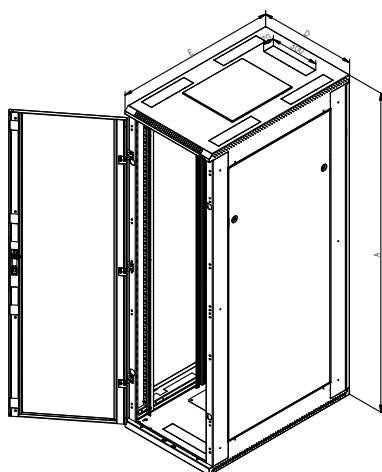
■ Wider body rails

Wider rails in the body of a cabinet are intended for an additional installation of 19" power management units, which do not occupy space within the cabinet. Thanks to this smart solution of gripping, it does not block sliding servers even for the 600 mm wide cabinet type. In addition to this solution the A5 and A7 version (at the end of the cabinet code) is characterized by break-out blanking panels in skeleton verticals for possible cable input and management in between neighbouring cabinets.



Power distribution unit inside of cabinet frame

19" power distribution units Triton can be mounted using the brackets (optional accessory) into the space inside the frame, so does not occupy valuable space for equipment. 



RDA

RDA data cabinet

The RDA data cabinet is intended for servers and active equipment for computer networks. It is usually supplied with a perforated door to provide maximum cooling. It is possible to improve cooling by installing fan units to the ceiling or to the base section of the RDA cabinet. Cable entries above 19" vertical rails are covered with break-out blanking panels and also provide with an easy connection of installed technologies into a larger unit.

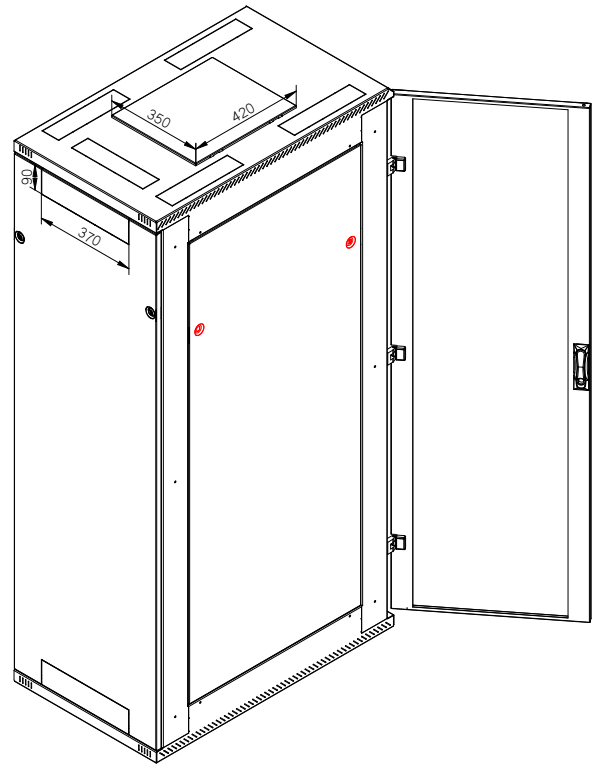
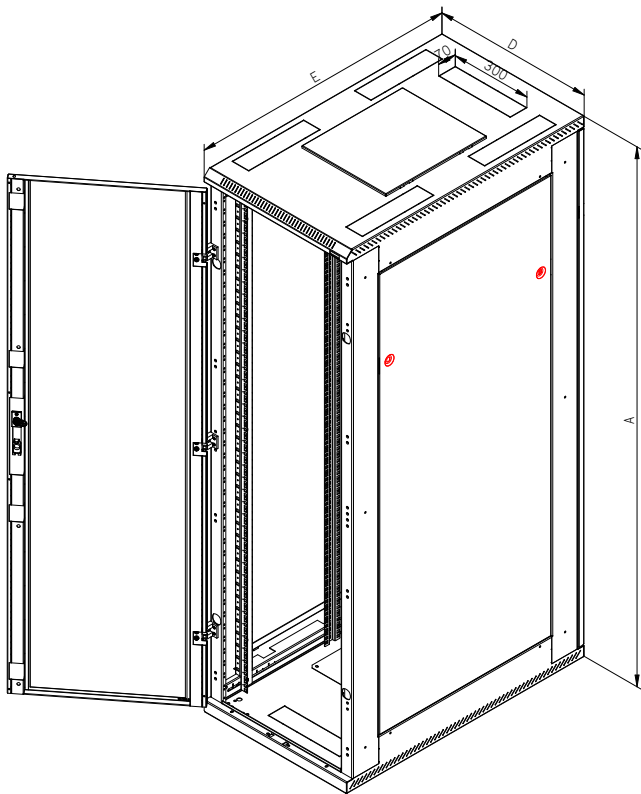
Slightly different versions (A3, A7) are developed for „Data centers“. The difference is given by screwed side panels, cable entries and hole in the floor of cabinets.

RDA								
Type	A	B	C	D	E	Weight gross (kg)	Weight net (kg)	Maximum recommended load (kg)
	(mm)							
RDA-37-L68-CAX-Ax-GDA	1750	1648	487	600	800	104,3	96,0	1800
RDA-42-L68-CAX-Ax-GDA	1970	1868	487	600	800	113,3	104,8	
RDA-45-L68-CAX-Ax-GDA	2105	2003	487	600	800	118,8	110,1	
RDA-47-L68-CAX-Ax-GDA	2194	2092	487	600	800	121,6	113,0	
RDA-37-L61-CAX-Ax-GDA	1750	1648	487	600	1000	121,8	110,9	
RDA-42-L61-CAX-Ax-GDA	1970	1868	487	600	1000	131,7	120,7	
RDA-45-L61-CAX-Ax-GDA	2105	2003	487	600	1000	137,8	126,8	
RDA-47-L61-CAX-Ax-GDA	2194	2092	487	600	1000	141,1	130,1	
RDA-37-L60-CAX-Ax-GDA	1750	1648	487	600	1100	129,8	116,9	
RDA-42-L60-CAX-Ax-GDA	1970	1868	487	600	1100	140,1	127,1	
RDA-45-L60-CAX-Ax-GDA	2105	2003	487	600	1100	146,4	133,4	
RDA-47-L60-CAX-Ax-GDA	2194	2092	487	600	1100	149,9	136,8	
RDA-37-L62-CAX-Ax-GDA	1750	1648	487	600	1200	133,3	121,1	
RDA-42-L62-CAX-Ax-GDA	1970	1868	487	600	1200	145,9	133,6	
RDA-45-L62-CAX-Ax-GDA	2105	2003	487	600	1200	152,4	140,1	
RDA-47-L62-CAX-Ax-GDA	2194	2092	487	600	1200	154,9	142,7	
RDA-37-L88-CAX-Ax-GDA	1750	1648	687	800	800	153,8	139,4	
RDA-42-L88-CAX-Ax-GDA	1970	1868	687	800	800	129,9	120,1	
RDA-45-L88-CAX-Ax-GDA	2105	2003	687	800	800	135,5	125,6	
RDA-47-L88-CAX-Ax-GDA	2194	2092	687	800	800	135,5	125,6	
RDA-37-L81-CAX-Ax-GDA	1750	1648	687	800	1000	138,7	128,7	
RDA-42-L81-CAX-Ax-GDA	1970	1868	687	800	1000	141,1	137,6	
RDA-45-L81-CAX-Ax-GDA	2105	2003	687	800	1000	157,5	143,8	
RDA-47-L81-CAX-Ax-GDA	2194	2092	687	800	1000	161,0	147,4	
RDA-37-L80-CAX-Ax-GDA	1750	1648	687	800	1100	147,6	134,6	
RDA-42-L80-CAX-Ax-GDA	1970	1868	687	800	1100	158,2	145,1	
RDA-45-L80-CAX-Ax-GDA	2105	2003	687	800	1100	164,6	151,6	
RDA-47-L80-CAX-Ax-GDA	2194	2092	687	800	1100	169,7	155,1	
RDA-37-L82-CAX-Ax-GDA	1750	1648	687	800	1200	153,8	139,4	
RDA-42-L82-CAX-Ax-GDA	1970	1868	687	800	1200	166,8	152,2	
RDA-45-L82-CAX-Ax-GDA	2105	2003	687	800	1200	173,5	158,8	
RDA-47-L82-CAX-Ax-GDA	2194	2092	687	800	1200	177,3	162,5	

With exact configuration will help you program on our website <http://www.triton.cz/en/konfigurator>.

Variant A1

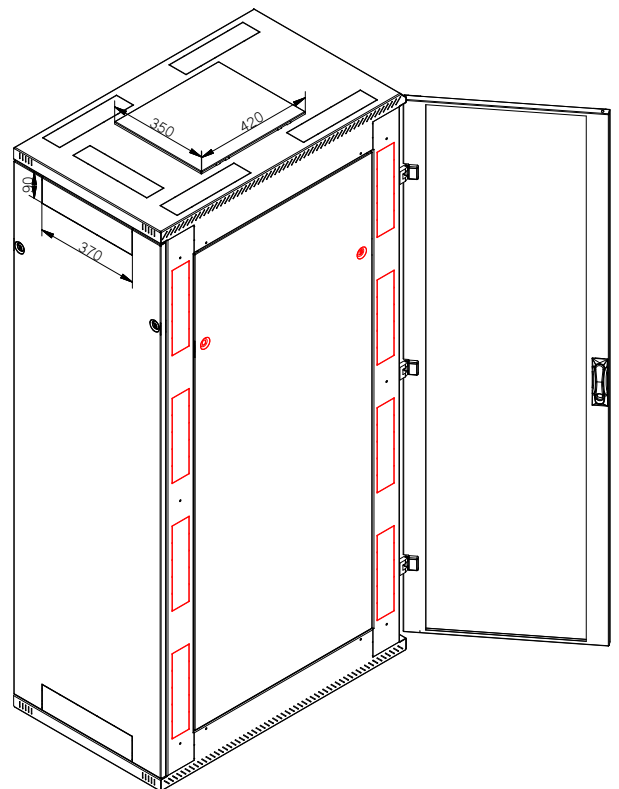
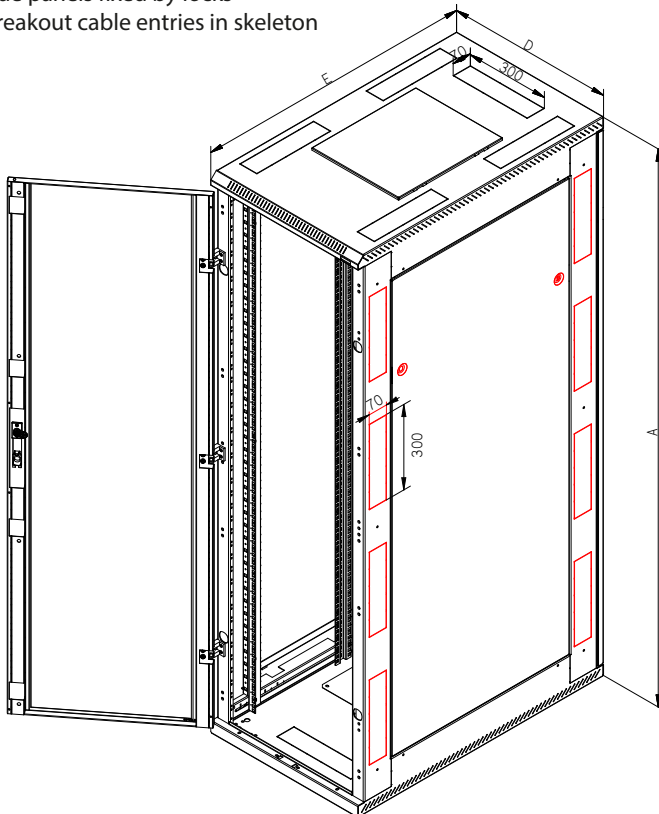
- with metal bottom,
- base, levelling feet and castors possible,
- side panels fixed by locks



RDA

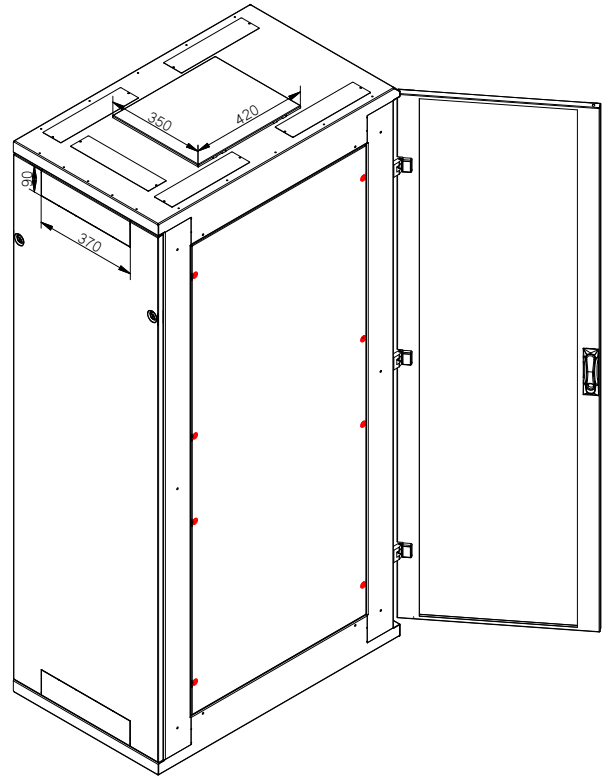
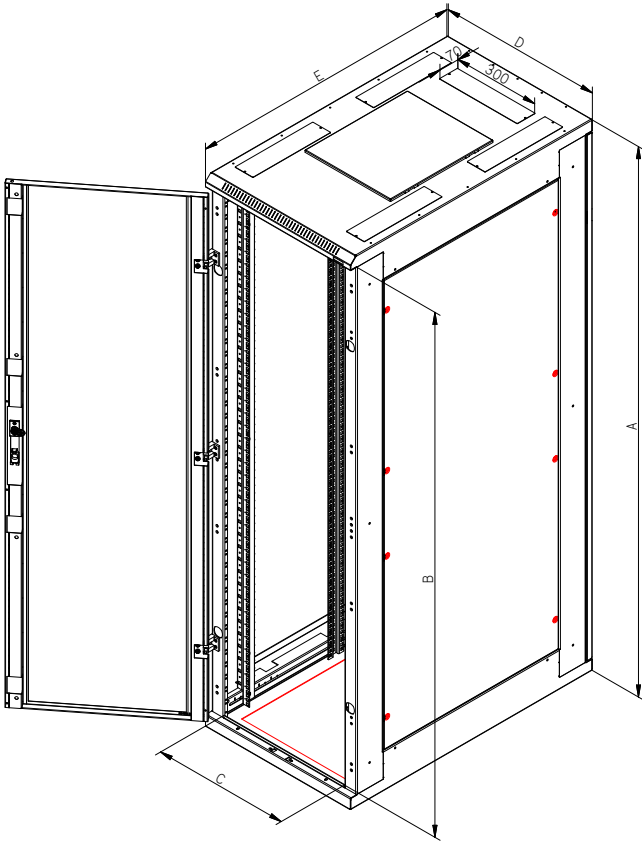
Variant A5

- with metal bottom
- base, levelling feet and castors possible
- side panels fixed by locks
- breakout cable entries in skeleton



Variant A3 for data centers

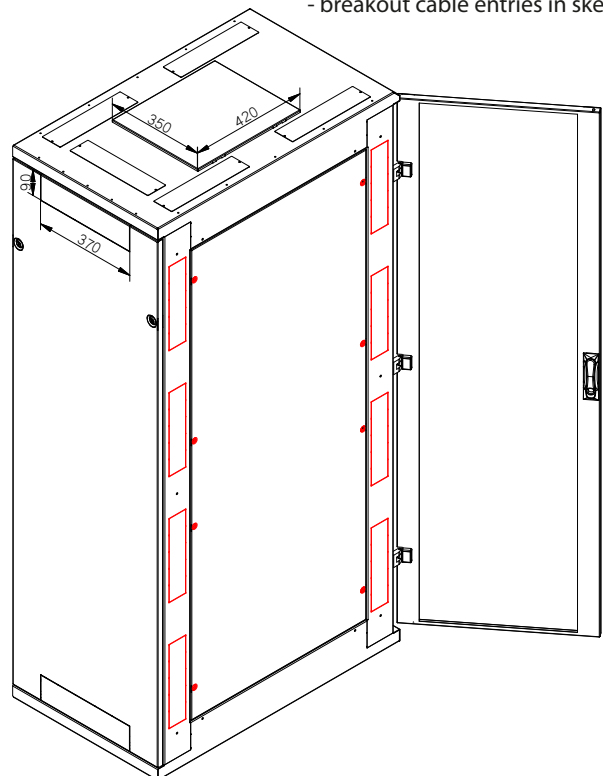
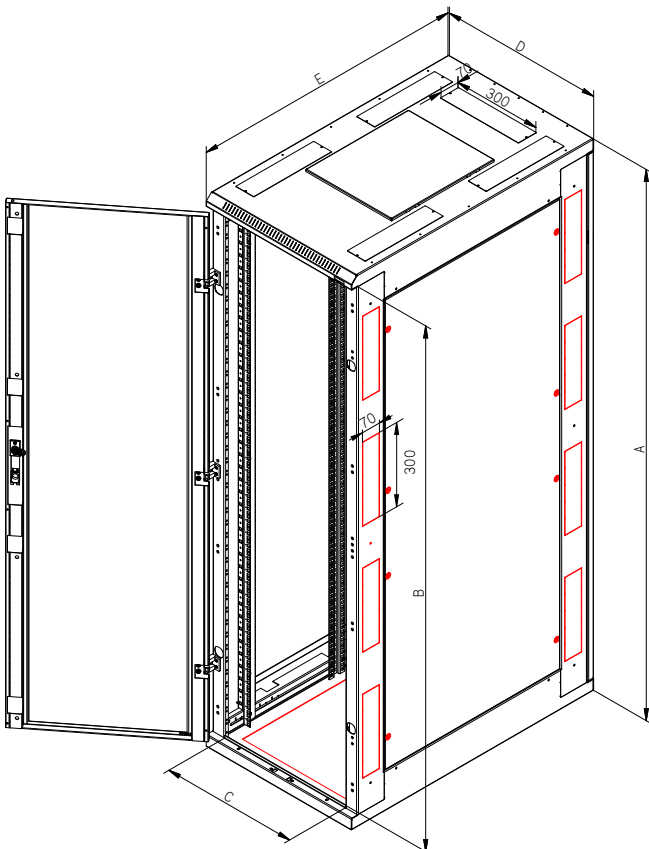
- without metal bottom
- only base possible
- side panels fixed by recessed screws from the outside (from inside possible on request)



RDA

Variant A7 for data centers

- without metal bottom
- only base possible
- side panels fixed by recessed screws from the outside (from inside possible on request)
- breakout cable entries in skeleton



Server cabinet RDA

Description, purpose of use

- 19" free-standing cabinet with IP20 protection
- Cabinet includes 4 sliding vertical rails for device mounting (6 rails for cabinets deeper than 800 mm).
- Cabinet construction:
 - Welded steel frame with removable side panels fixed by locks
 - Single or double doors in all metal versions, perforated (80% and 86% air permeability) or glazed with safety tempered glass 4 mm. They can be on the front or back of the cabinet.
 - Preparation for installation of power distribution units to the frame
 - Preparation for joining the cabinets together
 - A5 and A7 version has a breakout cable entries in the frame for the cabling between cabinets
- The maximum recommended load of cabinet is 1800 kg, maximum load of the door is 20 kg.
- Min. thickness of the surface finish is 65 µm.
- The racks are designed for installation of data and telecommunication equipment and distribution systems.
- The frame of the cabinet and all the removable parts (side and rear covers, doors...) are bonded with patch cables that have to be properly fixed and inserted into connectors throughout the period of use of the cabinet.
- There is one M8 screw placed on the bottom part of the cabinet to connect the bonding.
- Can be mounted on castors and levelling feet.
- Cable openings covered with breakout-type blanking panels are placed in the top and the bottom part of the cabinet.

Operating conditions

- Operating environment:
 - Office
 - The cabinet is not intended for outdoor installations and for installations in environment that can influence negatively the functionality of the cabinet and the mounted devices (e.g. environment with danger of explosion)
- Must be protected against:
 - Mechanical damage
 - Improper handling
 - A different usage than the cabinet is intended for
- Improper handling is especially:
 - Overloading (exceeding the maximum recommended load)
 - Installing devices which may negatively influence the operation and function of the cabinet or the installed equipment.
 - Change of the construction or design of the cabinet

Installation of the cabinet

- To ensure the maximum recommended load, it is necessary to distribute the load equally.
- Place the cabinet on a flat floor and adjust any differences using the levelling feet.
- To avoid dust penetration in the case where cables lead through some of the cable openings, it may be sealed with a blanking panel with a brush and secured by the fringe edge (both are included in the delivery).

Environmental protection

- All parts are made of recyclable materials and after decommissioning the cabinet, it must be disposed of according to relevant regulations

Certificate and conformity

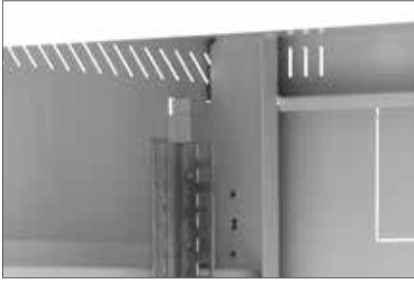
- This product is certified with TÜV SÜD Czech.
Latest certificate is available at www.triton.cz/en/download/certificates
Product is fully in accordance with ČSN EN 62208 ed.2:2012(EN 62208:2011).



RPA

RPA

Cabinet for industrial applications – removable sections, suitable for computer installations, IP20, capacity 400 kg



■ Cooling perforation

The RPA cabinet has a perforated top and base for natural air intake. There is a breakout opening on the roof for fan unit installation to support the cooling of installed technology.



■ Flexible door opening

The hinge system allows the door to open almost 180°. The door can be easily removed and re-mounted to change the direction of opening.



■ Triton handles

We manufacture our own handles for the free-standing cabinets. By changing the plastic module (not included), a traditional or half-cylindrical lock insert can be used. Patent: PUV 2013-27443



■ Adjustable vertical rails

Vertical 19" rails can be adjusted freely in any depth of the cabinet. This simplifies mounting of devices and configuration of connecting cables.

■ RPA with IP20 protection

has a perforation in the base and top part including cable entries and preparations for fan units.



■ Three independently lockable sections

RPA cabinet has three independently lockable sections. The upper and bottom section are locked by a Triton handle-lock; the slide-out middle section, intended for a keyboard and a mouse, has a single point lock. All sections in the standard version are operated by the same key.

RPA

Type	A	C	D	E	Weight gross (kg)	Weight net (kg)	Maximum recommended load (kg)	IP protection
	(mm)							
RPA-37-A66-CAX-A1	1750	487	600	600	75,6	68,5	400	20
RPA-37-A68-CAX-A1	1750	487	600	800	83,6	77,8	400	20



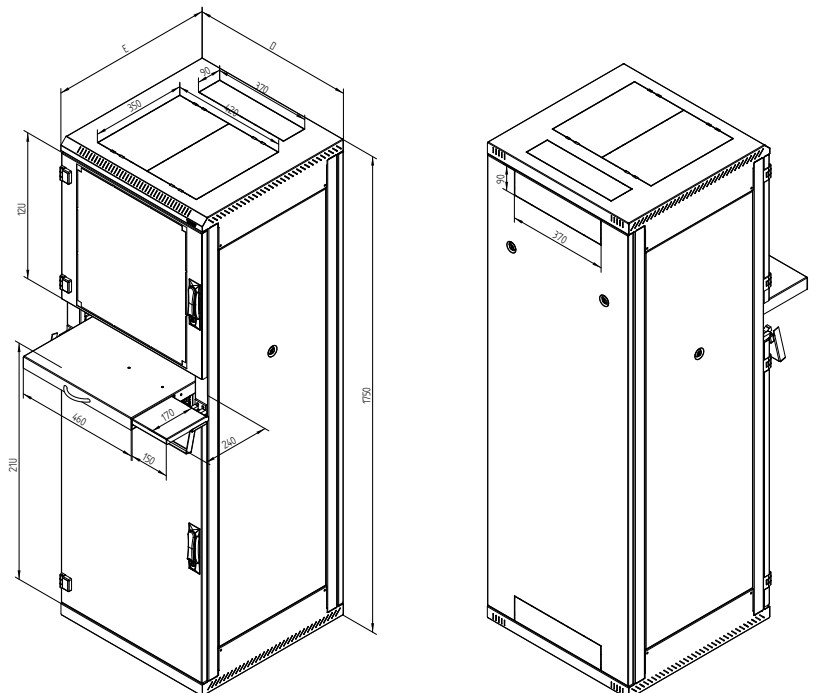
RPA



■ Slide-out section for a keyboard and a mouse



■ Castors, levelling feet
Prepared for mounting castors and levelling feet. Levelling feet are part of the cabinet supply.



Free-standing cabinet RPA

Description, purpose of use

- 19" free-standing cabinet with protection IP20
- Cabinet includes 4 sliding vertical rails for installing the device
- Cabinet construction:
 - Welded steel frame with removable side panels
 - Single doors in all metal versions or glazed with safety tempered glass 4 mm are mounted on the front of cabinet.
- Max. permissible load of the door is 20 kg.
- Min. thickness of the surface finish is 65 µm.
- These cabinets are intended for installation of data and telecommunication devices and their distribution systems and control elements of technological units
- The frame of the cabinet and all the removable parts (side and rear covers, doors...) are bonded with cables that have to be properly fixed and inserted into connectors throughout the period of use of the cabinet.
- There is one M8 screw placed on the bottom part of the cabinet to connect the bonding.
- Cable entry openings covered with breakout-type blanking panels are placed in the top and the bottom of the cabinet.

Operating conditions

- Operating environment:
 - Office
 - The cabinet is not intended for outdoor installations and for installations in environment that can influence negatively the functionality of the cabinet and the mounted devices (e.g. environment with danger of explosion or humid and wet surroundings)
- Must be protected against:
 - Mechanical damage
 - Improper handling
 - A different usage than the cabinet is intended for
- Improper handling is especially:
 - Overloading (exceeding the maximum recommended load)
 - Installing devices which may negatively influence the operation and function of the cabinet or the installed equipment.
 - Change of the construction or design of the cabinet

Installation of the cabinet

- To ensure the maximum recommended load, it is necessary to distribute the load equally.
- Place the cabinet on a flat floor and adjust any differences using the levelling feet.
- To avoid dust penetration in a case where cables lead through some of the cable openings, it is possible to seal it using a blanking panel with a brush and secured by the fringe edge (included with delivery)

Environmental protection

- All parts are made of recyclable materials and after decommissioning the cabinet, it must be disposed of according to relevant regulations

Certificate and conformity

- This product is fully in accordance with ČSN EN 62208 ed 2:2012.



RIE

RIE

Welded cabinet with removable covers, prepared for the installation of independent air-conditioning units, IP54, capacity 400 kg



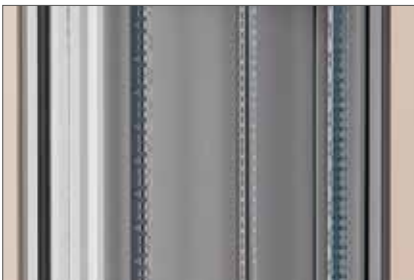
■ Cable inputs

Wiring inputs in the upper and lower parts are 300 x 100 mm in size and are sealed by blanks. Included with the cabinet is one multiple wire bushing with high protection coverage.



■ Multipoint locking system

Lock with a sliding locking system ensures a perfect door seal with the cabinet frame. The system is compatible with handles and locks of all major manufacturers including electronic and coded.



■ Adjustable vertical rails

For cabinets deeper than 800 mm, the two pairs of fully adjustable 19" vertical rails are supplemented with a third pair of middle rails.



■ Sealing, bonding

We use a 3D robotic workstation for the glass gluing and foam sealing. All removable parts of the cabinet are connected. There is M8 screw to connect the earthing at the bottom back. Marks for setting the vertical rails on sliding rails simplify the installation.



■ Ceiling blanks

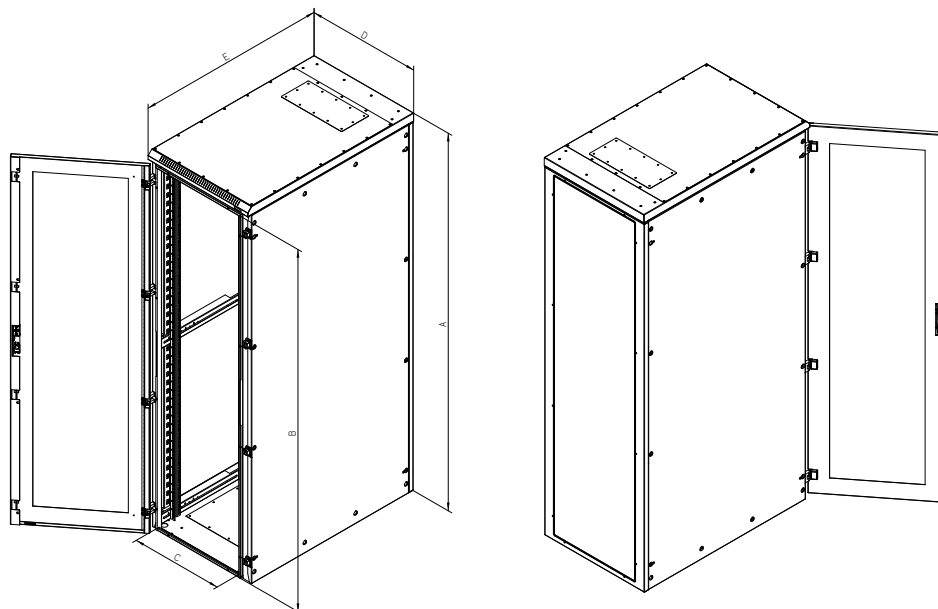
Large ceiling blanking panel allow (when replaced by appropriate adapter) installation of air-conditioning units with the airflow directed exactly as required. Version for the fan unit installation is also available. [🔗](#)



■ Cabinet IP54

RIE series cabinets with increased protection are intended to protect the equipment particularly from harmful effects of water and dust. Ceiling perforations (the design shape only) does not reduce the cabinet IP54 protection rating. The side covers are bolted to the frame and, the same as the door, have a foam seal. The covers have holes which allow the cabinets to be joined together.





RIE 600 x 600								
Type	A	B	C	D	E	Weight gross (kg)	Weight net (kg)	Maximum recommended load (kg)
	(mm)							
RIE-27-A66-CCX-A1	1300	1130	487	600	600	73,4	68,0	400
RIE-32-A66-CCX-A1	1525	1355	487	600	600	81,2	75,8	
RIE-37-A66-CCX-A1	1750	1580	487	600	600	89,4	83,8	
RIE-42-A66-CCX-A1	1970	1800	487	600	600	101,4	95,8	

RIE 600 x 800								
Type	A	B	C	D	E	Weight gross (kg)	Weight net (kg)	Maximum recommended load (kg)
	(mm)							
RIE-27-A68-CCX-A1	1300	1130	487	600	800	84,6	78,9	400
RIE-32-A68-CCX-A1	1525	1355	487	600	800	93,2	87,5	
RIE-37-A68-CCX-A1	1750	1580	487	600	800	96,3	90,4	
RIE-42-A68-CCX-A1	1970	1800	487	600	800	110,6	104,7	

RIE 600 x 1000								
Type	A	B	C	D	E	Weight gross (kg)	Weight net (kg)	Maximum recommended load (kg)
	(mm)							
RIE-27-A61-CCX-A1	1300	1130	487	600	1000	97,5	91,5	400
RIE-32-A61-CCX-A1	1525	1355	487	600	1000	107,1	101,1	
RIE-37-A61-CCX-A1	1750	1580	487	600	1000	117,1	110,9	
RIE-42-A61-CCX-A1	1970	1800	487	600	1000	126,7	120,5	

RIE 800 x 800								
Type	A	B	C	D	E	Weight gross (kg)	Weight net (kg)	Maximum recommended load (kg)
	(mm)							
RIE-27-A88-CCX-A1	1300	1130	687	800	800	101,5	94,9	400
RIE-32-A88-CCX-A1	1525	1355	687	800	800	110,9	104,3	
RIE-37-A88-CCX-A1	1750	1580	687	800	800	120,7	113,9	
RIE-42-A88-CCX-A1	1970	1800	687	800	800	130,2	123,2	

RIE 800 x 1000								
Type	A	B	C	D	E	Weight gross (kg)	Weight net (kg)	Maximum recommended load (kg)
	(mm)							
RIE-27-A81-CCX-A1	1300	1130	687	800	1000	116,2	108,8	400
RIE-32-A81-CCX-A1	1525	1355	687	800	1000	126,7	119,3	
RIE-37-A81-CCX-A1	1750	1580	687	800	1000	137,6	129,9	
RIE-42-A81-CCX-A1	1970	1800	687	800	1000	148,2	140,4	

RIE free-standing cabinet

Description, purpose of use

- 19" free-standing cabinet with IP54 protection
- Cabinet includes 4 sliding vertical rails for device mounting (6 rails for cabinets deeper than 800 mm).
- Cabinet construction:
 - Welded steel frame with removable side panels fixed by screws
 - Single door sealed by foam gasket in all metal versions or glazed with safety tempered glass 4 mm. They can be on the front or back of the cabinet. To achieve needed protection the doors with 4-point locking system are standard for this model.
- Max. permissible load of the door is 20 kg.
- Min. thickness of the surface finish is 65 µm.
- These cabinets are intended for installation of data and telecommunication devices and their distribution systems.
- The frame of the cabinet and all the removable parts (side and rear covers, doors...) are bonded with patch cables that have to be properly fixed and inserted into connectors throughout the period of use of the cabinet.
- There is one M8 screw placed on the bottom part of the cabinet to connect the bonding.
- Cable openings placed in the top and bottom part of the cabinet are secured by dismantlable blanking panels.

Operating conditions

- Operating environment:
 - Industrial, office.
 - The cabinet is not intended for outdoor installations and for installations in environment that can influence negatively the functionality of the cabinet and the mounted devices (e.g. environment with danger of explosion).
- Must be protected against:
 - Mechanical damage.
 - Improper handling.
 - A different usage than the cabinet is intended for.
- Improper handling is especially:
 - Overloading (exceeding the maximum recommended load).
 - Installing devices which may negatively influence the operation and function of the cabinet or the installed equipment.
 - Change of the construction or design of the cabinet.

Installation of the cabinet

- To ensure the maximum recommended load, it is necessary to distribute the load equally.
- Place the cabinet on a flat floor and adjust any differences using the levelling feet.
- To avoid dust penetration in the case where cables lead through some of the cable openings, it must be sealed with a blanking panel with a special blanking panel with cable grommets (included in the delivery).

Environmental protection

- All parts are made of recyclable materials and after decommissioning the cabinet, it must be disposed of according to relevant regulations

Certificate and conformity

- This product is fully in accordance with ČSN EN 62208 ed 2:2012.



RDE

RDE

Welded server cabinet prepared for the installation of independent air-conditioning units, IP54, capacity 1800 kg



■ Protection against dust and humidity IP54

All the doors and covers are equipped with a sealing that ensures protection against dust penetration and humidity.



■ Handle for cabinets IP54

Multi-point locking of cabinets with high IP rating and door sealing required use a more robust handle. Used handle with lock has a standard Triton universal key. Additional change of door opening orientation is possible.

■ Server cabinet with an IP54 protection

The RDE cabinets are primarily intended for an installation of servers and active devices parallelly with a Triton A/C units. Air conditioning unit is necessary to install only to data cabinets with a high IP protection for a correct function.



■ Wider body rails

Wider rails in the body of a cabinet are intended for an additional installation of 19" power management panels that afterwards do not occupy space within the cabinet. Thanks to this smart solution it does not block sliding servers even within the 600 mm cabinet type.



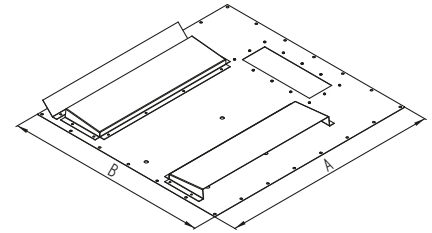
■ Loading capacity 1800 kg

The RDA data cabinet has a reinforced construction and it is made of thicker material. Also 19" vertical rails are designed for a higher loading capacity. A version with depth over 800 mm has a central pair of vertical rails as a standard solution.



A/C units

It is possible to install the roof A/C unit model ETE on the RDE data cabinet to manage the temperature inside of the cabinet. For such installation a special adapter is required. Adapter must correspond with an A/C unit type and also with requested air flow direction (along side panels or front/rear). A proper A/C unit must be selected by following information about thermal heat output of installed equipment, surrounding temperature with respect to humidity inside of the data cabinet. Our specialists are at your disposal. When A/C unit is installed, the inner space of cabinet remains IP54, however total assembly IP rating lowers to IP20 (due external fan unit exhaust etc.).



RAX-RV-X88-Z6

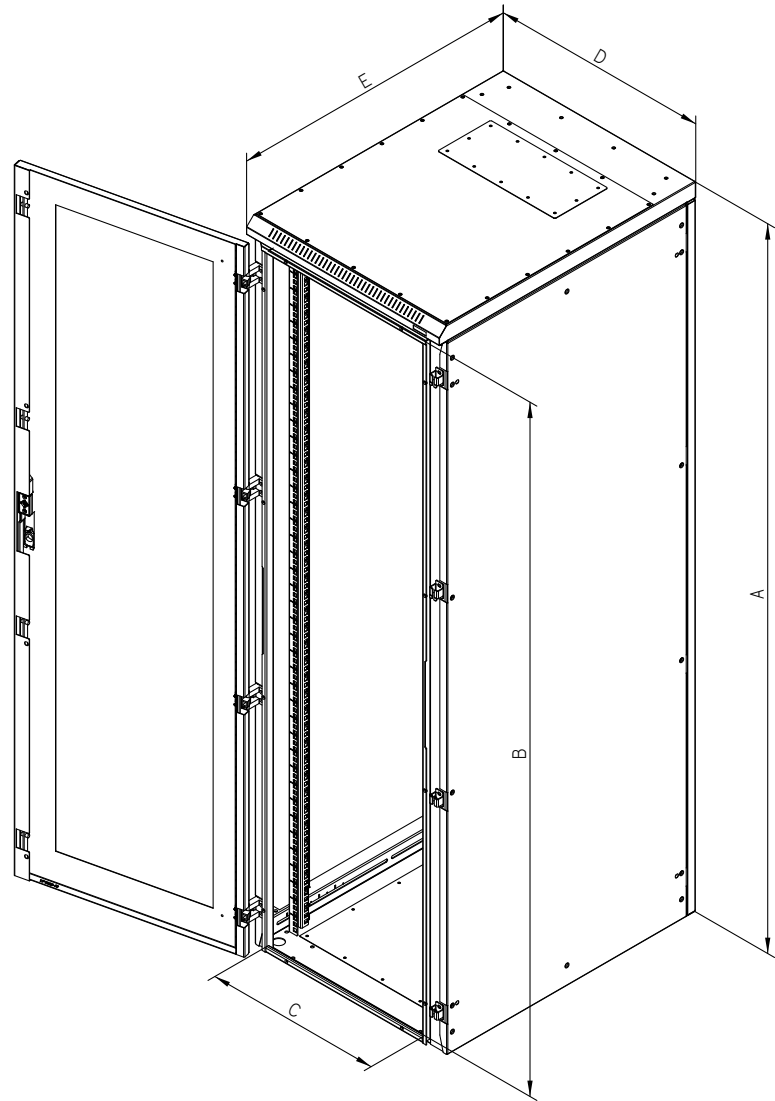
Also is possible to use fan unit with special adapter and cover. IP rating will lower in this case accordingly.



RAX-PB-X01-X1

Cable entries

All cable entries must be properly sealed especially against the dust and humidity, which could in air-conditioned area start condensing and could also damage installed equipment. Furthermore it could start freezing inside of the A/C unit which can lead to its break down. A blanking panel with sealed cable grommets is part of the cabinet supply.



RDE								
Type	A	B	C	D	E	Weight gross (kg)	Weight net (kg)	Maximum recommended load (kg)
	(mm)							
RDE-42-A68-CCX-A1	1970	1868	487	600	800	127,0	118,7	1800
RDE-45-A68-CCX-A1	2105	2003	487	600	800	132,8	124,4	
RDE-42-A61-CCX-A1	1970	1868	487	600	1000	144,7	133,9	
RDE-45-A61-CCX-A1	2105	2003	487	600	1000	151,1	140,3	
RDE-42-A62-CCX-A1	1970	1868	487	600	1200	160,5	147,2	
RDE-45-A62-CCX-A1	2105	2003	487	600	1200	164,9	154,1	
RDE-42-A88-CCX-A1	1970	1868	687	800	800	157,0	147,4	1800
RDE-45-A88-CCX-A1	2105	2003	687	800	800	163,7	154,0	
RDE-42-A81-CCX-A1	1970	1868	687	800	1000	177,8	164,4	
RDE-45-A81-CCX-A1	2105	2003	687	800	1000	184,9	171,4	
RDE-42-A82-CCX-A1	1970	1868	687	800	1200	195,2	179,2	
RDE-45-A82-CCX-A1	2105	2003	687	800	1200	201,4	185,2	

Server cabinet RDE

Description, purpose of use

- 19" free-standing cabinet with IP54 protection
- Cabinet includes 4 sliding vertical rails for device mounting (6 rails for cabinets deeper than 800 mm).
- Cabinet construction:
 - Welded steel frame with removable side panels fixed by screws
 - Single or double doors sealed by foam gasket in all metal versions or glazed with safety tempered glass 4 mm. They can be on the front or back of the cabinet. To achieve needed protection the doors with 4-point locking system are standard for this model.
- Max. permissible load of the door is 20 kg.
- Min. thickness of the surface finish is 65 µm.
- These cabinets are intended for installation of data and telecommunication devices and their distribution systems.
- The frame of the cabinet and all the removable parts (side and rear covers, doors...) are bonded with patch cables that have to be properly fixed and inserted into connectors throughout the period of use of the cabinet.
- There is one M8 screw placed on the bottom part of the cabinet to connect the bonding.
- Cable openings placed in the top and bottom part of the cabinet are secured by dismountable blanking panels.

Operating conditions

- Operating environment:
 - Industrial, office
 - The cabinet is not intended for outdoor installations and for installations in environment that can influence negatively the functionality of the cabinet and the mounted devices (e.g. environment with danger of explosion)
- Must be protected against:
 - Mechanical damage
 - Improper handling
 - A different usage than the cabinet is intended for
- Improper handling is especially:
 - Overloading (exceeding the maximum recommended load)
 - Installing devices which may negatively influence the operation and function of the cabinet or the installed equipment.
 - Change of the construction or design of the cabinet

Installation of the cabinet

- To ensure the maximum recommended load, it is necessary to distribute the load equally.
- Place the cabinet on a flat floor and adjust any differences using the levelling feet.
- To avoid dust penetration in the case where cables lead through some of the cable openings, it must be sealed with a blanking panel with a special blanking panel with cable grommets (included in the delivery).

Environmental protection

- All parts are made of recyclable materials and after decommissioning the cabinet, it must be disposed of according to relevant regulations

Certificate and conformity

- This product is fully in accordance with ČSN EN 62208 ed 2:2012.



RPE

RPE

Cabinet for industrial applications – removable sections, suitable for computer installations, IP54, capacity 400 kg



■ Protection against dust and humidity

The RPE cabinet has no perforations, all the doors and covers are equipped with a sealing that ensures protection against dust penetration and humidity.



■ Flexible door opening

The hinge system allows the door to open almost 180°. The door can be easily removed and re-mounted to change the direction of opening.



■ Swing handle closing of upper and lower section

Multi-point locking of cabinets with high IP rating and door sealing required use a more robust handle. Used handle with lock has a standard Triton universal key.



■ Adjustable vertical rails

Vertical 19" rails can be adjusted freely in any depth of the cabinet. This simplifies mounting of devices and configuration of connecting cables.



■ IP rating

RPE with IP54 protection has cable entry with covers fixed by screws. One special blanking panel with cable grommets is included in delivery.



■ Three independently lockable sections

RPE cabinet has three independently lockable sections. The upper and bottom section are locked by a swing handle-lock; the slide-out middle section, intended for a keyboard and a mouse, has a single point locks. All sections in the standard version are operated by the same key.

RPE

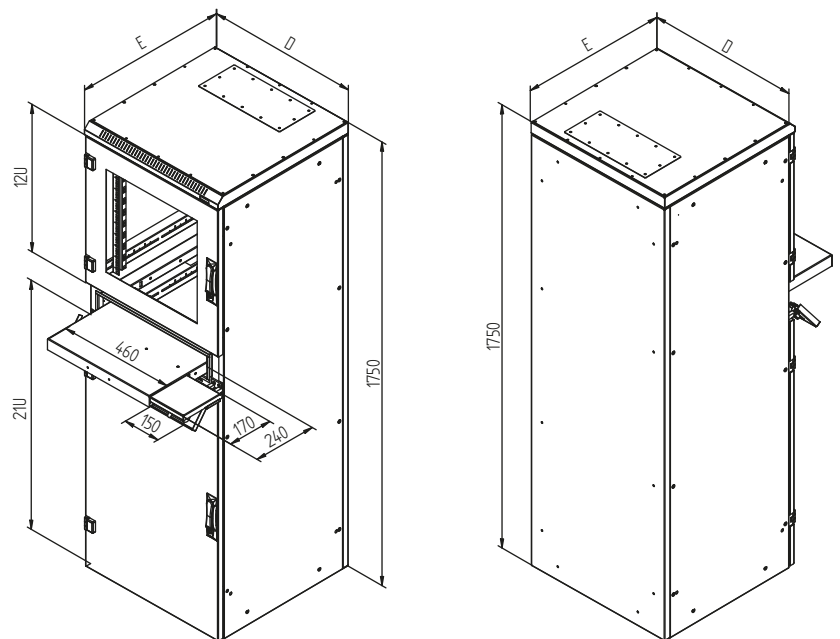
Type	A	C	D	E	Weight gross (kg)	Weight net (kg)	Maximum recommended load (kg)	IP protection
	(mm)							
RPE-37-A66-CAX-A1	1750	487	600	600	91,8	84,7	400	54
RPE-37-A68-CAX-A1	1750	487	600	800	102,7	96,8	400	54



■ Slide-out section for a keyboard and a mouse



■ Castors, levelling feet
Prepared for mounting castors and levelling feet. Levelling feet are part of the cabinet supply.



Free-standing cabinet RPE

Description, purpose of use

- 19" free-standing cabinet with protection IP54
- Cabinet includes 4 sliding vertical rails for installing the device
- Cabinet construction:
 - Welded steel frame with removable side panels
 - Single doors in all metal versions or glazed with safety tempered glass 4 mm are mounted on the front of cabinet. Model RPE has doors sealed by foam gasket and fixed by multipoint locking system.
- Max. permissible load of the door is 20 kg.
- Min. thickness of the surface finish is 65 µm.
- These cabinets are intended for installation of data and telecommunication devices and their distribution systems and control elements of technological units
- The frame of the cabinet and all the removable parts (side and rear covers, doors...) are bonded with patch cables that have to be properly fixed and inserted into connectors throughout the period of use of the cabinet.
- There is one M8 screw placed on the bottom part of the cabinet to connect the bonding.
- Cable entry openings placed in the top and in the bottom part of the cabinet are secured by removable blanking panels.

Operating conditions

- Operating environment:
 - Industrial
 - The cabinet is not intended for outdoor installations and for installations in environment that can influence negatively the functionality of the cabinet and the mounted devices (e.g. environment with danger of explosion or humid and wet surroundings)
- Must be protected against:
 - Mechanical damage
 - Improper handling
 - A different usage than the cabinet is intended for
- Improper handling is especially:
 - Overloading (exceeding the maximum recommended load)
 - Installing devices which may negatively influence the operation and function of the cabinet or the installed equipment.
 - Change of the construction or design of the cabinet

Installation of the cabinet

- To ensure the maximum recommended load, it is necessary to distribute the load equally.
- Place the cabinet on a flat floor and adjust any differences using the levelling feet.
- In case that cables lead through some of the cable openings, it is necessary to seal it by a blanking panel with sealed cable grommets (included with delivery).

Environmental protection

- All parts are made of recyclable materials and after decommissioning the cabinet, it must be disposed of according to relevant regulations

Certificate and conformity

- This product is fully in accordance with ČSN EN 62208 ed 2:2012.



RSX

19" open frames suitable for the installation of equipment
in protected environments, capacity 150 and 800 kg



■ Rigid construction

Vertical profile rails provide a high maximum loading capacity and a rigidity of an open frame.

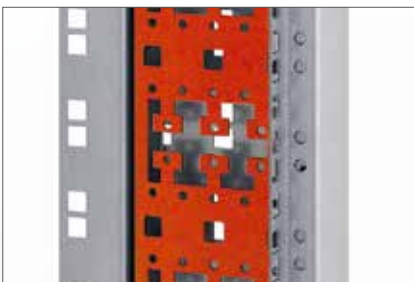


■ Profile fixation



■ Castors, nivelation feet

Preparation for mounting of castors and levelling feet. Levelling feet are part of the frame supply.



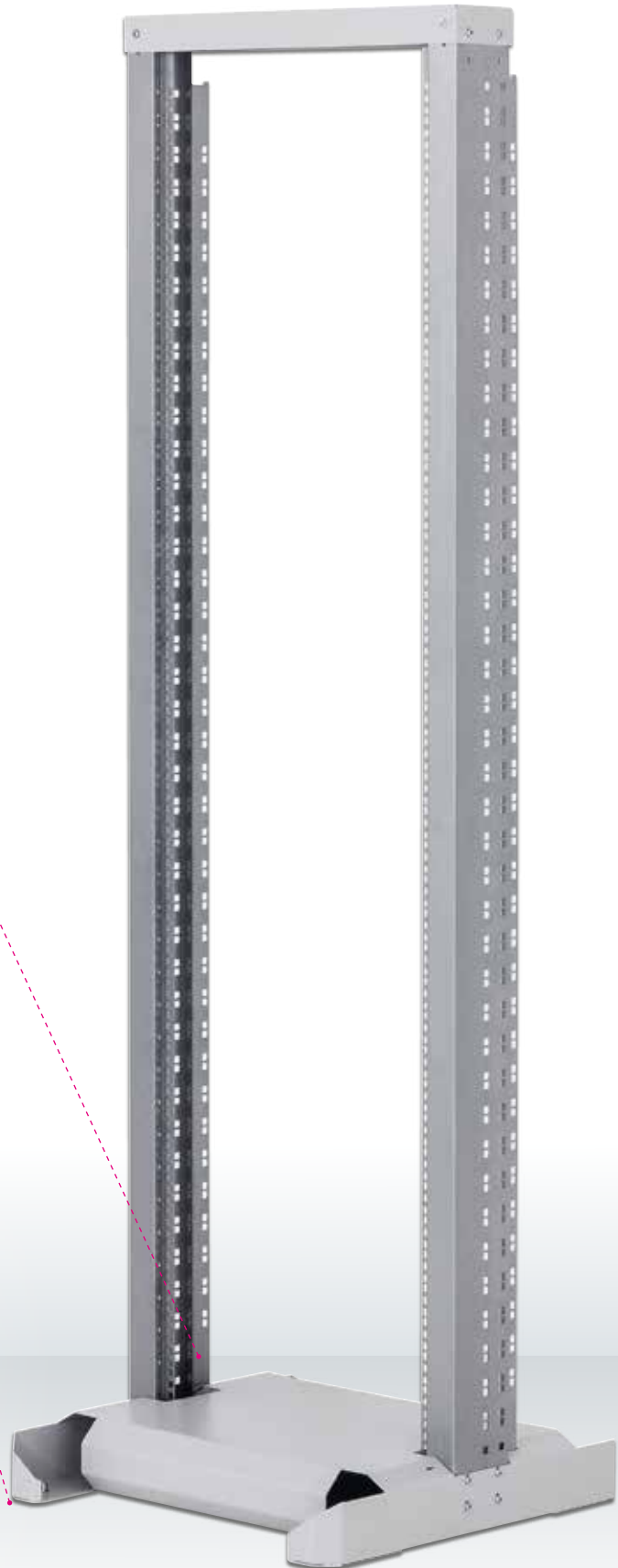
■ RAX-VP-Vxx-X2

vertical cable management (optional accessory).



■ Power distribution units

(optional accessory)



■ Single section frames

We recommend the single section open frames for simple installations without heavy components.

■ Double section frames

The double section 19" open frame is more suitable for installation of heavier and larger devices. During the development, we have focused on construction simplicity, easy installation and maintenance.

Single section 600 x 600

Type	A	B	D	E	Weight gross (kg)	Weight net (kg)	Maximum recommended load (kg)
(mm)							
RSX-27-XS6-CXX-A1	1340		600	600	24,2	19,0	150
RSX-32-XS6-CXX-A1	1560		600	600	25,4	20,1	
RSX-37-XS6-CXX-A1	1784		600	600	26,5	21,3	
RSX-42-XS6-CXX-A1	2005		600	600	27,7	22,4	
RSX-45-XS6-CXX-A1	2140		600	600	28,4	23,1	

Double section 600 x 600

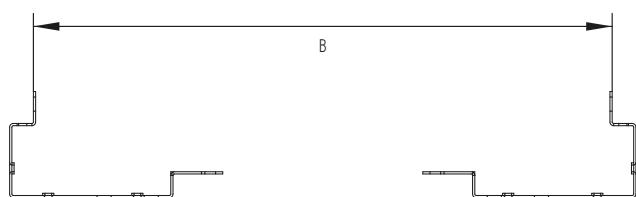
Type	A	B	D	E	Weight gross (kg)	Weight net (kg)	Maximum recommended load (kg)
(mm)							
RSX-27-XD6-CXX-A1	1340	564	600	600	35,0	29,7	800
RSX-32-XD6-CXX-A1	1560	564	600	600	37,3	32,0	
RSX-37-XD6-CXX-A1	1784	564	600	600	39,6	34,3	
RSX-42-XD6-CXX-A1	2005	564	600	600	41,9	36,6	
RSX-45-XD6-CXX-A1	2140	564	600	600	43,3	38,0	

Double section 600 x 700

Type	A	B	D	E	Weight gross (kg)	Weight net (kg)	Maximum recommended load (kg)
(mm)							
RSX-27-XD7-CXX-A1	1340	664	600	700	36,9	31,4	800
RSX-32-XD7-CXX-A1	1560	664	600	700	39,2	33,7	
RSX-37-XD7-CXX-A1	1784	664	600	700	41,5	36,0	
RSX-42-XD7-CXX-A1	2005	664	600	700	43,8	38,3	
RSX-45-XD7-CXX-A1	2140	664	600	700	45,2	39,6	

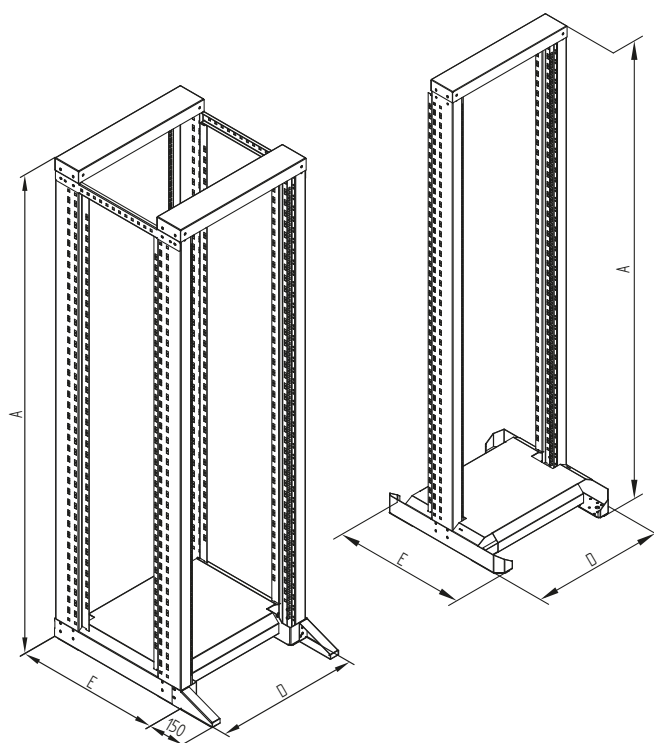
Double section 600 x 800

Type	A	B	D	E	Weight gross (kg)	Weight net (kg)	Maximum recommended load (kg)
(mm)							
RSX-27-XD8-CXX-A1	1340	764	600	800	38,5	32,9	800
RSX-32-XD8-CXX-A1	1560	764	600	800	40,8	35,3	
RSX-37-XD8-CXX-A1	1784	764	600	800	43,1	37,6	
RSX-42-XD8-CXX-A1	2005	764	600	800	45,4	39,9	
RSX-45-XD8-CXX-A1	2140	764	600	800	46,8	41,2	



■ Stabilization set

It is mounted additionally on the base of the double section frame and increases stability of the whole set in case of installation of slide-out devices, e.g. servers. It is part of delivery of the double frame.



RSX 19" open frames

Description, purpose of use

- 19" open frames are used for installations of devices in predetermined rooms.
- Frame construction:
 - Ready to assemble
 - Steel parts joined by screws
 - 19" profile frame is suitable for placing directly on the floor using levelling feet or castors (levelling feet are part of supply).
- Min. thickness of the surface finish is 65 µm.

Operating conditions

- Operating environment:
 - Office
 - The frame is not intended for outdoor installations and for installations in environment that can influence negatively the functionality of the cabinet and the mounted devices (e.g. environment with danger of explosion or humid and wet surroundings)
- Must be protected against:
 - Mechanical damage
 - Improper handling
 - A different usage than the cabinet is intended for
- Improper handling is especially:
 - Overloading (exceeding the maximum recommended load)
 - Installing devices which may negatively influence the operation and function of the cabinet or the installed equipment.
 - Change of the construction or design of the cabinet

Mounting of the frame

- To ensure the maximum recommended load, it is necessary to distribute the load equally. It is necessary to prevent one-side or one-point loading of the frame.
- Place the frame on a flat floor and compensate an eventual small roughness with levelling feet.

Environmental protection

- All parts are made of recyclable materials and after decommissioning the cabinet, it must be disposed of according to relevant regulations

Certificate and conformity

- This product is fully in accordance with ČSN EN 62208 ed 2:2012.



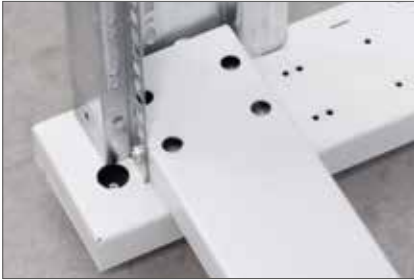
RSX-F

19" open frames suitable for the installation of equipment
in protected area, capacity 800 kg



■ Rigid construction

Vertical profile rails provide a high maximum loading capacity and a rigidity of an open frame.



■ Profile fixation



■ Easy assembly

Quick-connection detail.



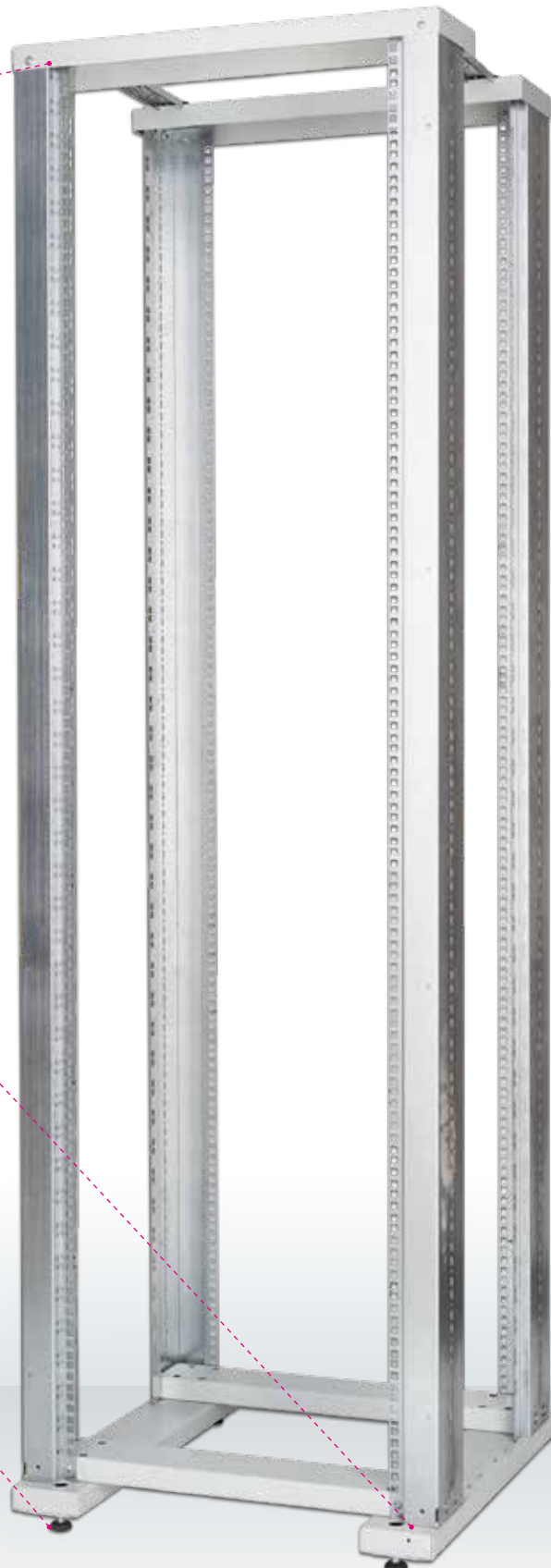
■ Castors, levelling feet

Preparation for mounting of castors and levelling feet. Levelling feet are part of the cabinet supply.



■ Power distribution units

(optional accessory)



■ Open frame - FLEX

RSF-X open frame is supplied as double section only. Front and rear frame may be placed on the base in variety of distances to support installation of equipment with different depth.

Two versions are available.

Model XD8 serves installation of equipment with mounting depth from 415mm to 715mm, model XD2 is made for equipment from 815mm to 1115mm.

600 x 800

Type	A	B	D	E	Weight gross (kg)	Weight net (kg)	Maximum recommended load (kg)
(mm)							
RSX-27-XD8-CXX-AF	1300	415 - 715	600	800	29	28,5	800
RSX-32-XD8-CXX-AF	1525	415 - 715	600	800	31,5	31	
RSX-37-XD8-CXX-AF	1750	415 - 715	600	800	34	33	
RSX-42-XD8-CXX-AF	1970	415 - 715	600	800	36	35	
RSX-45-XD8-CXX-AF	2105	415 - 715	600	800	37,5	36,5	
RSX-47-XD8-CXX-AF	2194	415 - 715	600	800	38,5	37,5	

600 x 1200

Type	A	B	D	E	Weight gross (kg)	Weight net (kg)	Maximum recommended load (kg)
(mm)							
RSX-27-XD2-CXX-AF	1300	815 - 1115	600	1200	31	30,5	800
RSX-32-XD2-CXX-AF	1525	815 - 1115	600	1200	33,5	33	
RSX-37-XD2-CXX-AF	1750	815 - 1115	600	1200	36	35	
RSX-42-XD2-CXX-AF	1970	815 - 1115	600	1200	38	37	
RSX-45-XD2-CXX-AF	2105	815 - 1115	600	1200	40	39	
RSX-47-XD2-CXX-AF	2194	815 - 1115	600	1200	41	40	



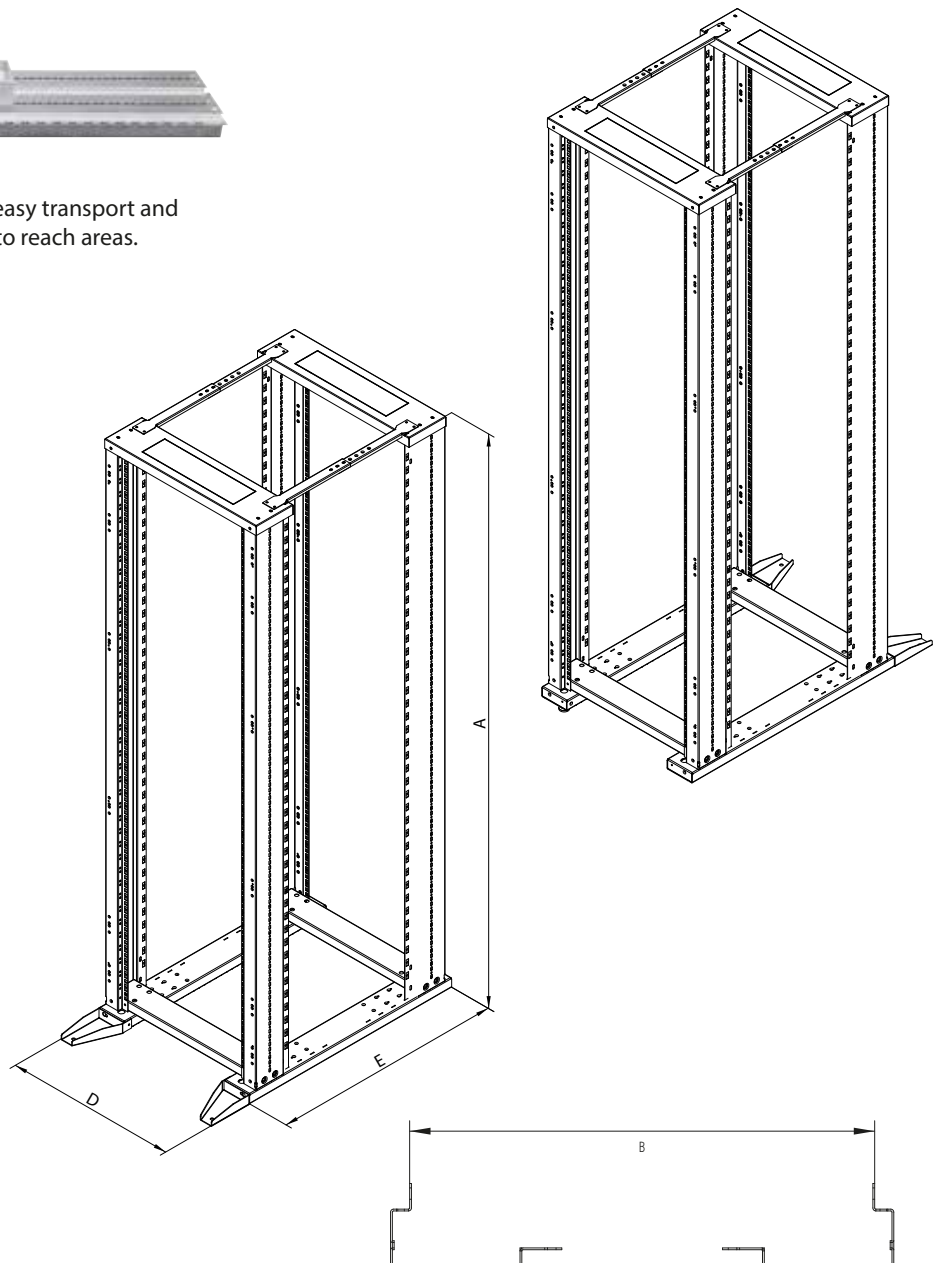
Easy to transport

The open frame is delivered disassembled for easy transport and delivery at the installation site even in difficult to reach areas.



Stabilization set

It is mounted additionally on the base of the frame and increases stability of the whole set in case of installation of slide-out devices, e.g. servers (included in delivery).



RSX-F 19" open frames

Description, purpose of use

- 19" open frames are used for installations of devices in predetermined rooms.
- Frame verticals can be installed flexibly in variety of distance (front to back)
- Frame construction:
 - Ready to assemble
 - Steel parts joined by screws
 - 19" profile frame is suitable for placing directly on the floor using levelling feet or castors (levelling feet are part of supply).
- Min. thickness of the surface finish is 65 µm.

Operating conditions

- Operating environment:
 - Office
 - The frame is not intended for outdoor installations and for installations in environment that can influence negatively the functionality of the cabinet and the mounted devices (e.g. environment with danger of explosion or humid and wet surroundings)
- Must be protected against:
 - Mechanical damage
 - Improper handling
 - A different usage than the cabinet is intended for
- Improper handling is especially:
 - Overloading (exceeding the maximum recommended load)
 - Installing devices which may negatively influence the operation and function of the cabinet or the installed equipment.
 - Change of the construction or design of the cabinet

Mounting of the frame

- To ensure the maximum recommended load, it is necessary to distribute the load equally. It is necessary to prevent one-side or one-point loading of the frame.
- Place the frame on a flat floor and compensate an eventual small roughness with levelling feet.

Environmental protection

- All parts are made of recyclable materials and after decommissioning the cabinet, it must be disposed of according to relevant regulations

Certificate and conformity

- This product is fully in accordance with ČSN EN 62208 ed 2:2012.



Data Centers

Data Centers - Overview

Introduction

to the data centers

87

Cooling

Principles and systems of data centers cooling

89

Power Distribution

Power distribution units with management and environment monitoring

90

Accessories

Directing of the cooling air, cable management ...

91

Hot/Cold Aisle

Modular system for the construction of hot/cold aisle

94

References

Some of our already installed datacenters

97



Introduction

Modern methods of centralising servers and other active elements necessitated changes in the way these devices are cooled and protected. The solution is the data center.

What is a data center?

Modern data centers are significantly different from early versions of this method of installing servers and other equipment. Original data centers were founded on the backbone of Internet connections from the 1990s. Large data halls were built primarily as a space perfectly protected in terms of security, uninterrupted power supply and with adequate capacity of communication lines, mostly optical. The individual cabinets were then leased to users for their technical and Internet applications. These centers almost always had raised floors with high loading, beneath which were located all cabling and cooling systems. Cooling was mostly centralised so the entire room was air conditioned regardless of the distribution of the thermal load and without the ability to effectively regulate cooling for each cabinet or the data hall.

With the development of telecommunications, with new protocols and an increase in the transmission line capacity high-speed connections have become available without the need to place the device directly onto the backbone connections.

As well, another revolution took place on another front - processing power and storage capacity. Processor performance grew dramatically, multi-core processors began to appear along with new operating systems. Hard drives and other storage media multiplied in their capacity.

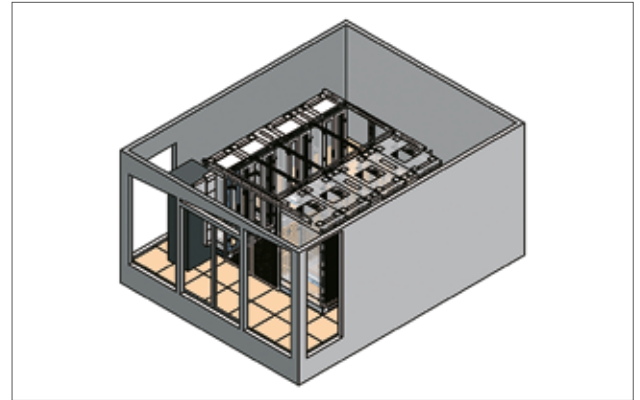
Server operating systems began to use available resources for sharing multiple, simultaneously running applications and it was then only a small step to sharing one physical computer for running multiple operating systems simultaneously - to virtualisation.

The majority of companies now run their applications either on their own servers dedicated to specific applications or using the services of the ever popular virtualisation and cloud-hosting. Both of these methods require a high density of installed computing power. Because running businesses and institutions is a critical application, it requires power-fail safety, physical protection and also controlled cooling. All these aspects are covered by the concept of a data center.

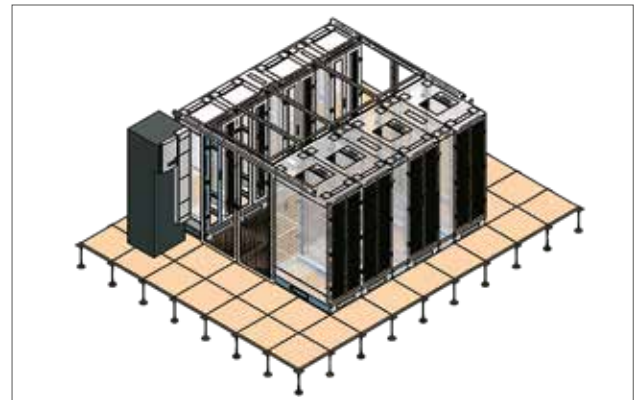
Over time the standard was set for the design and construction of data centers. Cabinets are placed in groups, usually in the form of two rows spaced 1,200 mm apart (two standard raised floor tiles). The aisle between the cabinets is then roofed and closed at the ends by sliding doors. For really large data centers, dividing doors can also be found within these units, which split them down into smaller sections.

The main product of our company's data center solution are data cabinets with high load (from 1200kg to 1800kg), accompanied with other components such as aisle roof in variety of types, self-closing sliding aisle door, blanking panels etc. Cabinets can be collocated (divided in multiple boxes) with variety of front and rear door, locks and other functionality.

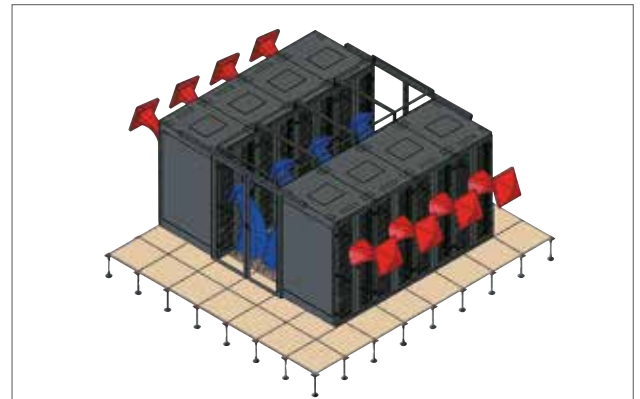
In the cases where is not possible to use the raised floor (low room height, low permissible floor loading and so on) we can offer an alternative, in the form of In-Row cooling units with top media inlet and condensate pump. Tjis advanced solution offers extra large installed cooling capacity in a small footprint.



Reference data center Tritón



Data center with centralized air conditioning



Scheme of data center cooling

Our specialists will be glad to help you to choose the optimum solution for your needs.

Selecting the right type of cabinet and accessories, you can save significant money spent on the operation of your equipment.

Hot / cold aisle



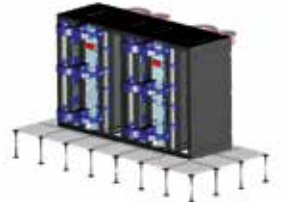
Arranging cabinets into hot / cold aisles is a standard solution for data centers. Cabinets are oriented face to face, while cold air is supplied through perforated tiles in a raised double floor. Standard ANSI/TIA/EIA-942-A recommends a cold aisle width of 1.2 metres. This is generally the size of two double floor tiles. Cold air is supplied via perforated tiles at the front of the cabinets which is delivered to each of them by fans. Cold air is supplied to active elements through doors with 80% perforation. In this case, the double floor is used to deliver cold air and it is necessary that all other openings in the floor, such as the cable entries are covered. The reason is to maintain static air pressure in the double floor and to minimise cold air loss.

Contained cold aisle



The solution of open hot / cold aisles presents possible shortages in the recirculation of heated air and therefore the risk of creating so called hot-spots - locally overheated areas. The solution is a contained cold aisle. This is a closed modular expandable system which physically separates the cold air from the exhalation of hot air. Actually, it creates a separate area for hot and cold air and prevents them from mixing. Cool air is fed into the closed aisle through perforated tiles of the raised floors or locally using the side cooling units, which are mounted directly in line between the cabinet. Standard width of the contained cold aisle is 1.2 metres (two floor tiles) or 1.8 m (three floor tiles). At the ends, the aisle also has a glass sliding door. The use of this solution is becoming standardised and is especially recommended for its cooling capacity and efficiency in achieving the lowest energy consumption of the data center.

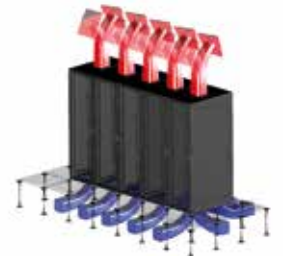
Closed modular solution



A closed modular solution enables maximum energy efficiency and scalability of focus for long-term development of a data center. This solution can be designed and manufactured tailored to customer needs. In one room there can be zones not only with different operating temperatures, but also with different density of the thermal load. The solution is characterised by a high-IP cabinet. This also protects the installed components from dust and moisture.

Side cooling units are attached directly with the racks to make a closed module with an internal cold zone at the front part of the cabinet and hot zone at the rear of the cabinet. This solution allows you to combine any number of racks and cooling units in the module. Our specialists will prepare a proposal for the project to ensure the space capacity required for installation of the equipment and the corresponding power conditioning, including any needed redundancy.

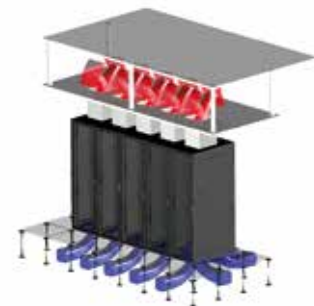
Floor feed



This method increases the efficiency of the cold air through the delivery from double floor to the installed equipment. The cabinet is installed on the opening in the double floor. A deflector, located at the bottom of the cabinet, directs cool air to its front section. Cold air in this case is further directed in the front section of the cabinet by the door without perforations, these may be of glass or metal. The hot air is extracted from the rack either by doors with 80% perforation or the cabinet ceiling.

By installing a cool air supply regulator to the bottom of the cabinet the amount of air may be adjusted, or delivery can be completely discontinued when the cabinet is not in use. The advantage of this cooling method is great flexibility in planning of the room usage. Cabinets installed in hot and cold aisle is not required if the hot and cold air is separated inside the cabinet. To achieve this it is necessary to install a separating frame inside the cabinets for a strict separation of cold and hot air.

Floor feed with plenum return



A possible disadvantage of cold aisle and cooling supply from the floor and return to the room is that the hot air is brought into the surroundings of the installed equipment. This does not cause a complication when it is already considered in the data center design stage. In certain cases a possible solution is to completely separate the warm air in areas with high thermal loads due to the concentration of the installed equipment.

The solution is to supply cooling air from the room or raised floors and return it to the ceiling. This is the solution when the hot air does not return into the hall, but is fed to the ceiling or double ceiling. A rear deflector located in the upper part of the cabinet helps to optimise the flow of hot air into the outlet extension. A large adapter allows the passage of large quantities of air at a relatively low speed.

A cold air intake is on the front door of the cabinet, and hot air is discharged through the outlet extensions to the ceiling / double ceiling above the devices. Air conditioning units take the hot air from the ceiling, cool it and deliver it back under the raised floor. The air cooling circuit is closed. This solution provides high efficiency cooling for very large volumes of hot air. Research indicates that this solution can be used to cool up to 30 kW per cabinet.



■ Data center design

This critical stage of the data center building has an indefinite solution. It depends on the cabinet arrangement, distribution of heat load and its size, the choice of thermal scheme (hot / cold aisle, zonal distribution of cold etc.) and many other aspects.

When selecting the most suitable arrangement it is necessary to take into account the type of cooling system (under-floor cooling, In-Row cooling units ...) and with regard to the coolant used, also selecting the outer part of the system.

Choice of the cooling medium must be done with respect to outdoor climatic conditions, the distance of the data center from the external units and the elevation between them. Depending on conditions, we can choose water cooling with appropriate addition of antifreeze, or system operating with liquid refrigerant gas. With regard to safety and redundancy required for service operations it is necessary to design the complete system properly, meaning inside the data center and on the side of radiators or condensers.

■ Power distribution units

Equipment installed in data centers often has very high power consumption. Along with the need for a power supply, it also brings the question of the need for metering and remote device control. Therefore you will find power distribution panels in our range, which not only allow you to switch each device on or off, but also provide information on the temperature and humidity in the cabinet, check the correct functioning of the condensate drain of the cooling unit, signal an alarm when the cabinet door is open and other conditions that you define. Any changes can then be reported using the integrated software through a computer network and allow you to oversee the data center without the physical presence of the operator. Distribution panels with management systems exist in many different models. Whether in terms of dimensions, where we offer solutions from the standard 19" panels to large vertical panels designed to house distribution systems, or in terms of different inputs (16A-64A, single-phase / three-phase). It is possible to

Furthermore, it is necessary to think about the requirements of humidity control. Humidity less than 30% carries a risk of damage to the installed equipment by static electricity surge; high humidity can lead to condensation.

In our portfolio you will find the cooling systems of leading manufacturers active in this highly specialized field of data centers and telecommunication equipment cooling for many years. Thanks to the close cooperation and support of their development teams, we can offer proven and guaranteed solutions.

Designing functional, reliable, financially and operationally economical cooling systems for the data center is not an easy matter and specialists, who will recommend the optimum solution in terms of investment and operating costs, are fully available.

choose from many product lines according to the required panel functionality (measurement of panel as whole unit or measurement of individual outlets, the control panel as a whole or individual outlet switching, additional monitoring functions temperature/ humidity / door contact / water flood sensor).

When choosing the most appropriate solution we will be happy to advise you.



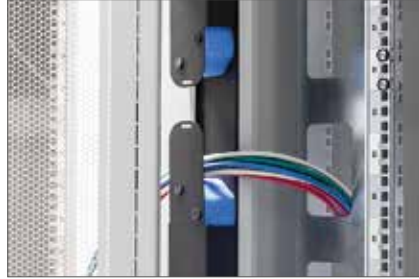


Data Center – **Accessories**

Specifics of data center requires unique equipment that ensures maximum efficiency in installation, ease of operation and particular control of equipment cooling.

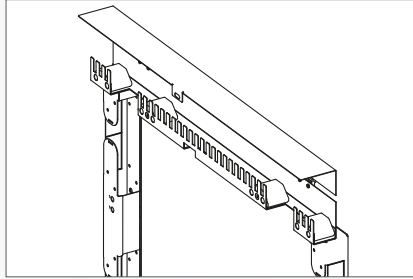
Patch frame – 2nd generation

How to connect devices in two cabinets? The usual method, using the cable entry holes in the roof or in the base of each rack is laborious, time-consuming and the space capacity is often insufficient. TRITON has developed for its own cabinets unique patented solution – patch frame. After installing frame on the adjacent cabinet it replaces original door and greatly increases the capacity and convenience for cabling between racks.



■ Cable entries

Cable entries are covered with break-out plugs. At the point where you need to pull cables, plugs can be easily removed and frame construction guarantee the protection of cables, including compliance with the bending radius of optical cables.



■ Cable tray

Need to connect equipment in cabinets, that are not directly adjacent? Nor is this a problem with patch frame. Just install on top the cable tray and you can easily bypass several cabinets exactly as needed. After closing the covers and doors and locking all of the cables protected from unauthorized access.

■ Large capacity

We supply patch frames for the selected cabinets heights in two versions. 75 mm deep version offers cable entries with dimensions 109 x 40 mm, deepened 150 mm version then even 109 x 80 mm. The most common patch frame for 42U high cabinet has on each side 6 of these cable entries.

■ Easy administration

The cabinet is supplied as standard with double wingdoors of all types - glazed, fully metal and perforated. After removing the door from its hinges, the re-cabling between cabinets almost becomes fun, only inserting cables into the prepared openings without pulling. It is possible to install patch frame into already fully loaded cabinets.



Patch frame
PATENT: PUV 2012-26482



Cable tray	Width (mm)	Depth (mm)
RAX-RA-X06-X1	600	75
RAX-RA-X06-Y1	600	115
RAX-RA-X08-X1	800	75
RAX-RA-X08-Y1	800	115

Patch frame	Heights (U)	Width (mm)	Depth (mm)
RAC-RA-426-XX	42	600	75
RAC-RA-426-YX	42	600	115
RAC-RA-428-XX	42	800	75
RAC-RA-428-YX	42	800	115
RAC-RA-456-XX	45	600	75
RAC-RA-456-YX	45	600	115
RAC-RA-458-XX	45	800	75
RAC-RA-458-YX	45	800	115
RAC-RA-478-XX	47	800	75
RAC-RA-478-YX	47	800	115



Recommended accessories

Installation and use of equipment in data centers have their own rules. The equipment must be well cooled down as well as easy to reach for power and data cables, must allow visual and physical inspection and at the same time must not restrict the

operation of other devices.

Therefore, we recommend using accessories developed with respect to this specific environment when installing technologies and operating data centers.

■ Cooling

Proper airflow is important for efficient cooling of installed technologies. Cold air must pass through or tightly around the device. After performing its work, mean taking over part of the heat from the equipment, it must be removed from the cabinet and directed to the cooling unit where it will be cooled down and get ready for the next cycle. There are two main areas of inefficient waste of cooling air. Firstly the empty installation positions in the cabinet and secondly the space between the vertical installation rails and the cabinet frame. We will solve the first problem by using blanking panels or horizontal cable organizers, the second by an air separation frame, which we can combine with single-row vertical cable organizers. [🔗](#)



■ Cable management

Already mentioned cable management is very important. Cables must not trouble air distribution neither at front of equipment (patch cords) neither behind it (power supply and installation cables). [🔗](#)



■ PDU installation

Another component that may block cooling air flow is power distribution unit (PDU). In the Triton cabinets designed for use in datacentres we recommend vertical installation on PDU inside the skeleton struts. There they do not occupy valuable installation positions and do not limit air flow. Inside skeleton is possible to install not only special vertical PDU but also standard 19" version. [🔗](#)



■ Cable support systems

In data centers is also necessary to solve the installation of cables outside the cabinets, especially above them and in the space under the raised floor. Because the amount of data and power cables in data centers is enormous, usually cable trays on holders are used to store cables in correct position, ensuring the necessary distance from the cabinets (important for safe cable routing and guaranteeing the correct bending radii). Cable trays can be metal or can be made in the form of wire mesh. Complete offer of this assortment can be found on our website in a separate section. [🔗](#)

Data center – hot / cold aisle

Once several cabinets are connected together, it is necessary to optimize cooling of all installed equipment. Uncontrolled air flow is very expensive and inefficient. There is a concept of „cold and hot aisles“ to prevent from such situations, which leads to controlling over the cold air flow and also which leads to prevention from mixing cold and hot air together. It is one of the most popular solution to cover all cabinets and separate them from outside with a sliding door system. Such solution will allow cold air input in between cabinet rows and all hot air goes

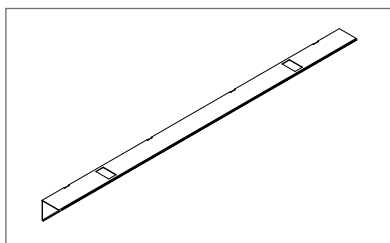
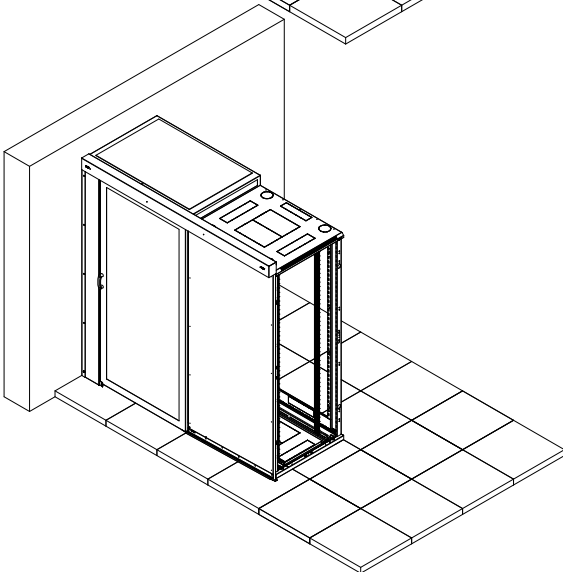
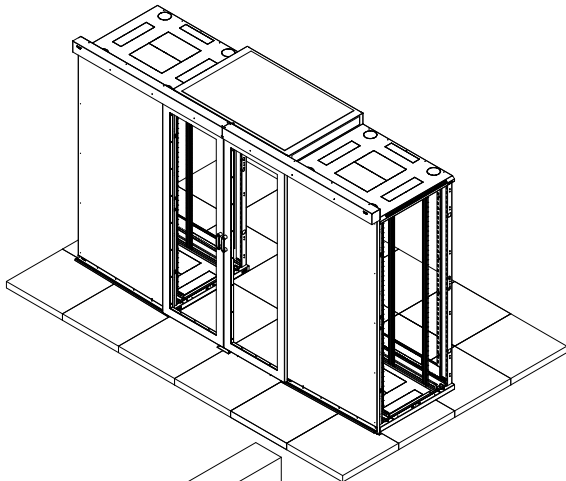
away into the surrounding (hot air is cooled down with an A/C unit and returns back in cold aisle among cabinets). This solution is called „a cold aisle“. The hot aisle solution has an opposite system of the air flow. All cold air is around data cabinets and the hot air is collected in between cabinet rows. For both „aisle“ solutions we can provide you with standard components. Atypical solutions are subject to an individual offer.

Datacenter aisle can be formed by two rows of cabinets or can be oriented one side to the wall. Wall opposite to the row of cabinets is also possible to be made from panels, used as replacement of cabinets missing in the row.

■ Datacenter aisle sliding door

Sliding doors for data centers have a filling of clear security 4mm glass. The standard version is for the aisle 1200 mm wide. All doors listed here are self-closing with a gravity drive equipped with a SoftClose mechanism. The door is constructed with the upper running rail mounted on support panels (30 mm thick - are part of the delivery) which are mounted in front of the cabinet. Therefore, the door can also be installed to cabinets on pedestals (with the optional set RAX-CD-AD2-P2), in front of an aisle of non-standard width and the like.

Depending on the model the door can be fitted with a lock. There are also doors with plastic filling (Makrolon).



Self-closing door with gravity drive between two rows of cabinets, aisle 1200mm

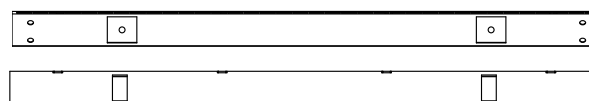
Door version	Cabinet height in units		
	42	45	47
Glossy without lock	RAC-CD-DM2-A1	RAC-CD-DP2-A1	RAC-CD-DR2-A1
Makrolon without lock	RAC-CD-DM2-A3	RAC-CD-DP2-A3	RAC-CD-DR2-A3
Glossy with lock	RAC-CD-DM2-B1	RAC-CD-DP2-A1	RAC-CD-DR2-B1
Makrolon with lock	RAC-CD-DM2-B3	RAC-CD-DP2-B3	RAC-CD-DR2-B3

Self-closing door with gravity drive one side to the wall, aisle 1200mm

Door version	Cabinet height in units		
	42	45	47
Glossy without lock - right	RAC-CD-DM2-J1	RAC-CD-DP2-J1	RAC-CD-DR2-J1
Makrolon without lock - right	RAC-CD-DM2-J3	RAC-CD-DP2-J3	RAC-CD-DR2-J3
Glossy with lock - right	RAC-CD-DM2-K1	RAC-CD-DP2-K1	RAC-CD-DR2-K1
Makrolon with lock - right	RAC-CD-DM2-K3	RAC-CD-DP2-K3	RAC-CD-DR2-K3
Glossy without lock - left	RAC-CD-DM2-S1	RAC-CD-DP2-S1	RAC-CD-DR2-S1
Makrolon without lock - left	RAC-CD-DM2-S3	RAC-CD-DP2-S3	RAC-CD-DR2-S3
Glossy with lock - left	RAC-CD-DM2-T1	RAC-CD-DP2-T1	RAC-CD-DR2-T1
Makrolon with lock - left	RAC-CD-DM2-T3	RAC-CD-DP2-T3	RAC-CD-DR2-T3

Aisle roof supporting profile for installation one side to the wall

	roof width
RAC-CD-ADF-S2	600mm
RAC-CD-ADH-S2	800mm



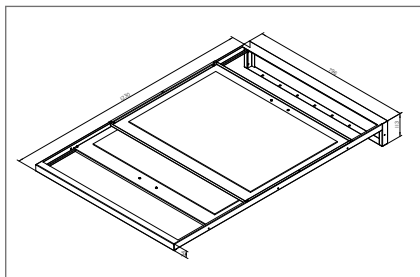
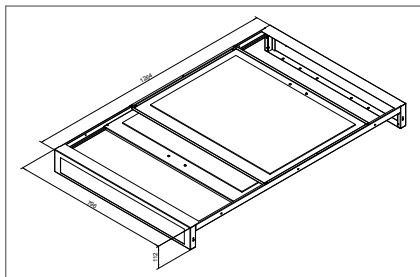
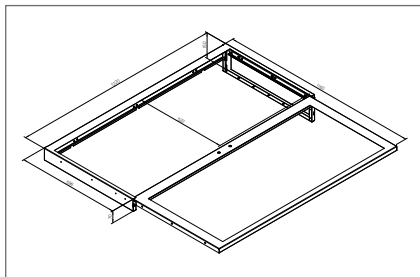
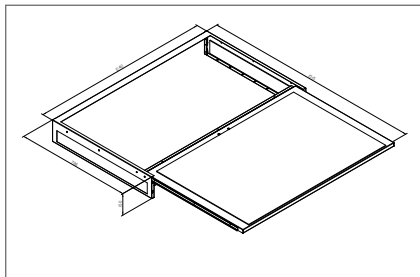
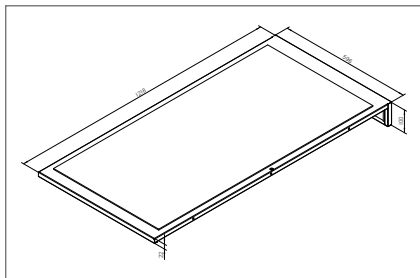
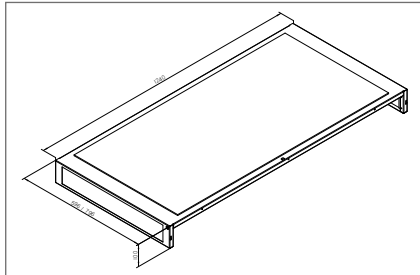
front view

top view

■ Data center aisle roofing

The roof of the aisle is made of clear 4 mm transparent safety glass in metal frame. The shape of the ceiling helps the flow of cooling air. The roof's side panels are also glazed. On demand is possible to use Makrolon instead of glass. Standard roof for aisle 1200mm is offered in width from 300 to 800 mm. Space needed above the the ceiling of the cabinet is 150mm to install any roof. Fixed roof is 100mm high, sliding roofs need a bit more space.

In addition to fix glass roofs, you will also find in our offer solid sheet metal roofs, alternative with preparation for installation of LED panels, sliding glazed roofs (divided in half or shifting over the adjacent fixed roof) and self-opening roofs that in the event of a fire reveal access to the extinguishing gas to aisle area. For roofs to the wall is necessary to purchase a wall bracket corresponding widths according to the width of the roof.



Fix roof - aisle 1200mm

Between two rows of cabinets			
Width [mm]	Safety hardened transparent glass 4mm	Solid transparent Makrolon 4mm	Solid metal roof
300	RAC-CD-SC2-A1	RAC-CD-SC2-A3	RAC-CD-SC2-A2
400	RAC-CD-SD2-A1	RAC-CD-SC2-A3	RAC-CD-SD2-A2
600	RAC-CD-SF2-A1	RAC-CD-SF2-A3	RAC-CD-SF2-A2
800	RAC-CD-SH2-A1	RAC-CD-SH2-A3	RAC-CD-SH2-A2

One side to the wall			
Width [mm]	Safety hardened transparent glass 4mm	Čirý Makrolon 4mm	Solid metal roof
300	RAC-CD-SC2-Z1	RAC-CD-SC2-Z3	RAC-CD-SC2-Z2
400	RAC-CD-SD2-Z1	RAC-CD-SD2-Z3	RAC-CD-SD2-Z2
600	RAC-CD-SF2-Z1	RAC-CD-SF2-Z3	RAC-CD-SF2-Z2
800	RAC-CD-SH2-Z1	RAC-CD-SH2-Z3	RAC-CD-SH2-Z2

Roof sliding across the neighboring one - aisle 1200mm

Between two rows of cabinets			
Width [mm]	Safety hardened transparent glass 4mm	Solid transparent Makrolon 4mm	Solid metal roof
600	RAC-CD-SF2-B1	RAC-CD-SF2-B3	RAC-CD-SF2-B2
800	RAC-CD-SH2-B1	RAC-CD-SH2-B3	RAC-CD-SH2-B2

One side to the wall			
Width [mm]	Safety hardened transparent glass 4mm	Solid transparent Makrolon 4mm	Solid metal roof
600	RAC-CD-SF2-Y1	RAC-CD-SF2-Y3	RAC-CD-SF2-Y2
800	RAC-CD-SH2-Y1	RAC-CD-SH2-Y3	RAC-CD-SH2-Y2

Roof divided in the half - aisle 1200mm

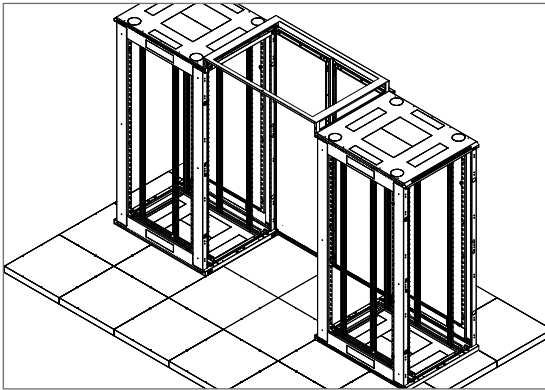
Between two rows of cabinets			
Width [mm]	Safety hardened transparent glass 4mm	Solid transparent Makrolon 4mm	Solid metal roof
600	RAC-CD-SF2-C1	RAC-CD-SF2-C3	RAC-CD-SF2-C2
800	RAC-CD-SH2-C1	RAC-CD-SH2-C3	RAC-CD-SH2-C2

One side to the wall			
Width [mm]	Safety hardened transparent glass 4mm	Solid transparent Makrolon 4mm	Solid metal roof
600	RAx-CD-SF2-X1	RAx-CD-SF2-X3	RAx-CD-SF2-X2
800	RAx-CD-SH2-X1	RAx-CD-SH2-X3	RAx-CD-SH2-X2

■ Back panel of datacenter aisle

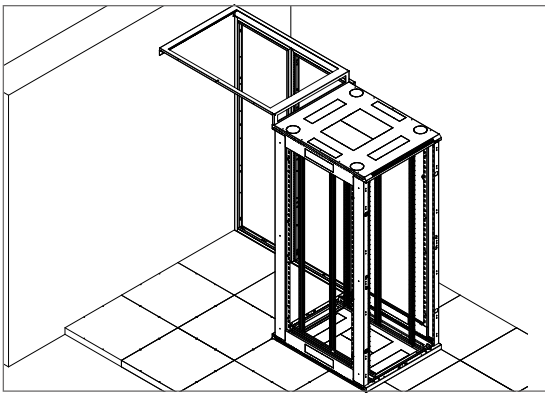
The aisle of the data center can be closed instead of a sliding door with a fixed panel, solid metal or with glass. This solution is used especially in data centres where user have access only from one end of the aisle. Also as in the case of sliding doors, the rear panel can be used with cabinets on the bases with

the corresponding conversion sets (it is necessary to select the conversion set according to the width of the aisle). The rear panel for solution installed one side to the wall is universal (right / left). When using panel against the wall made from blanking panels (the dummy wall made from metal panels) it is necessary to purchase an end post of the appropriate height (accessory).



Back panel between two rows of cabinets - aisle 1200mm

Door version	Cabinet height in units		
	42U	45U	47U
Solid metal	RAC-CD-PM2-X2	RAC-CD-PP2-X2	RAC-CD-PR2-X2
Transparent hardened safety glass 4mm	RAC-CD-PM2-X1	RAC-CD-PP2-X1	RAC-CD-PR2-X1
Solid transparent Makrolon	RAC-CD-PM2-X3	RAC-CD-PP2-X3	RAC-CD-PR2-X3

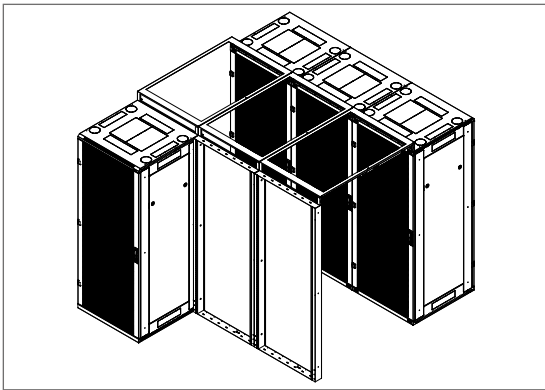


Back panel one side to the wall - aisle 1200mm

Door version	Cabinet height in units		
	42U	45U	47U
Solid metal	RAC-CD-PM2-Y2	RAC-CD-PP2-Y2	RAC-CD-PR2-Y2
Transparent hardened safety glass 4mm	RAC-CD-PM2-Y1	RAC-CD-PP2-Y1	RAC-CD-PR2-Y1
Solid transparent Makrolo	RAC-CD-PM2-Y3	RAC-CD-PP2-Y3	RAC-CD-PR2-Y3

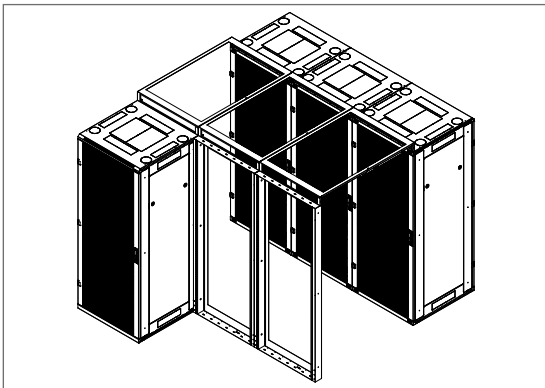
■ Blanking panels instead of cabinet / AC unit

Cabinet in the row is possible to replace by panel (solid metal or with glass). This way we can bypass building constructions or keep empty space for later installed technology.



Blanking panels instead of cabinet - solid metal

Width [mm]	Cabinet height in units		
	42U	45U	47U
300	RAC-CD-ZCM-X2	RAC-CD-ZCP-X2	RAC-CD-ZCR-X2
400	RAC-CD-ZDM-X2	RAC-CD-ZDP-X2	RAC-CD-ZDR-X2
600	RAC-CD-ZFM-X2	RAC-CD-ZFP-X2	RAC-CD-ZFR-X2
800	RAC-CD-ZHM-X2	RAC-CD-ZHP-X2	RAC-CD-ZHR-X2



Blanking panels instead of cabinet - safety hardened glass 4mm transparent

Width [mm]	Cabinet height in units		
	42U	45U	47U
300	RAC-CD-ZCM-X1	RAC-CD-ZCP-X1	RAC-CD-ZCR-X1
400	RAC-CD-ZDM-X1	RAC-CD-ZDP-X1	RAC-CD-ZDR-X1
600	RAC-CD-ZFM-X1	RAC-CD-ZFP-X1	RAC-CD-ZFR-X1
800	RAC-CD-ZHM-X1	RAC-CD-ZHP-X1	RAC-CD-ZHR-X1

■ Accessories

For accessories (kit for use with cabinets on the bases etc.) please contact your distributor.

For installation of some components is accessories obligatory (for example supporting profiles for the roofs one side to the wall).



References





References











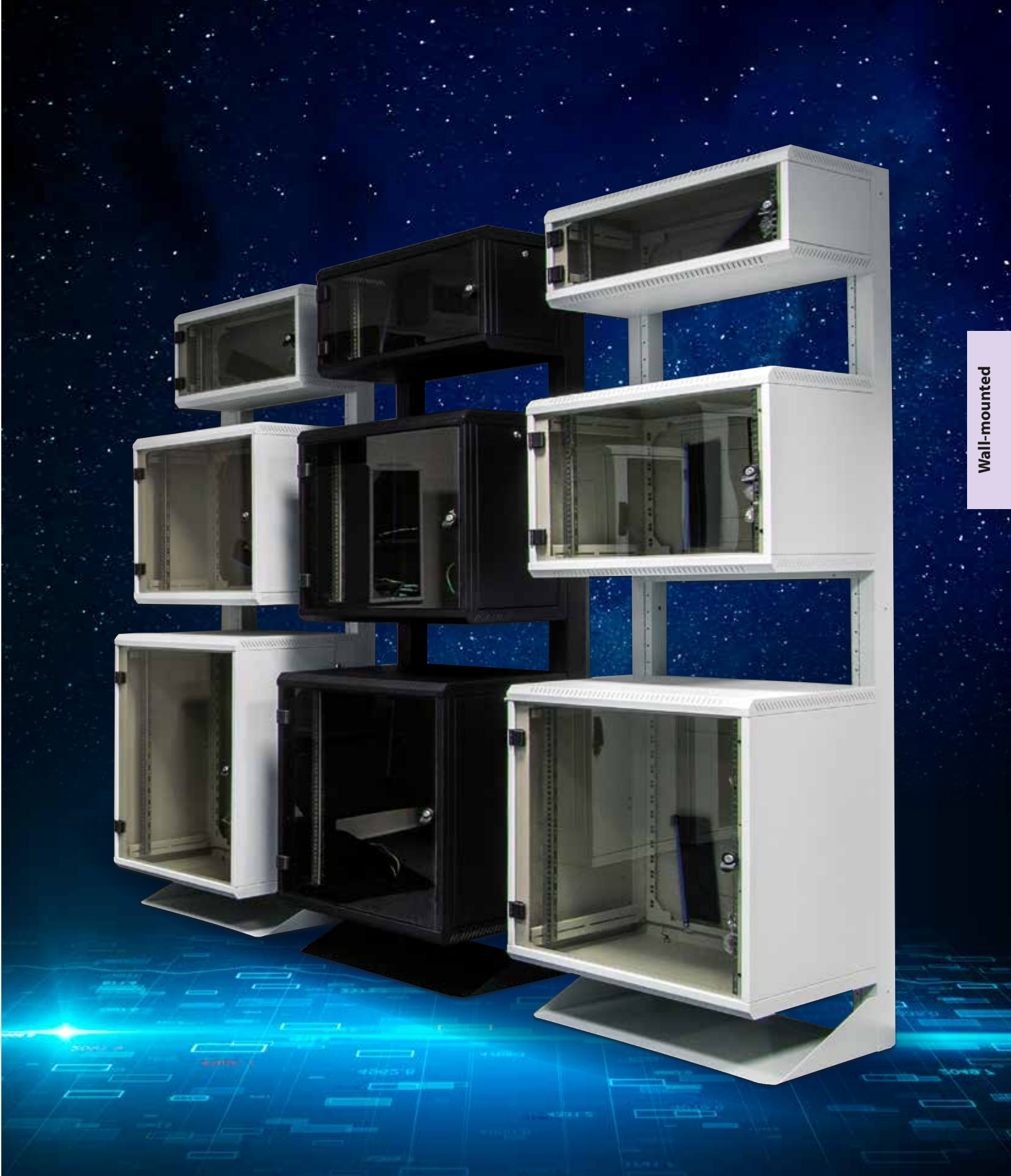












Wall-mounted

Wall-Mounted Cabinets

Wall-Mounted Cabinets – Overview



RBA – one-sectioned
IP30, capacity 60-100 kg

111



RBA – two-sectioned
IP30, capacity 20-30 kg

115



RUA
With removable side panels,
IP30, capacity 45 kg / with reinforcements 90kg

121



RXA
Flat-pack concept, IP30, capacity 35 kg

125



RFA
Wall-mounting server cabinet. IP20, capacity 50 kg

129



RKA – 10" and 19"
IP30, capacity 20 kg

133



RBA – 10"
IP30, capacity 20 kg

137



one-sectioned – RBA

One-sectioned welded wall cabinet.
IP30, capacity 60-100 kg



■ Rigid construction

High quality workmanship and up-to-date technology ensure a perfect look of the cabinet.



■ Flexible door opening

The hinge system allows the door to open almost 180°. The door can be easily removed and re-mounted to change the direction of opening.



■ Door lock

It enables an easy and quick access into the cabinet.

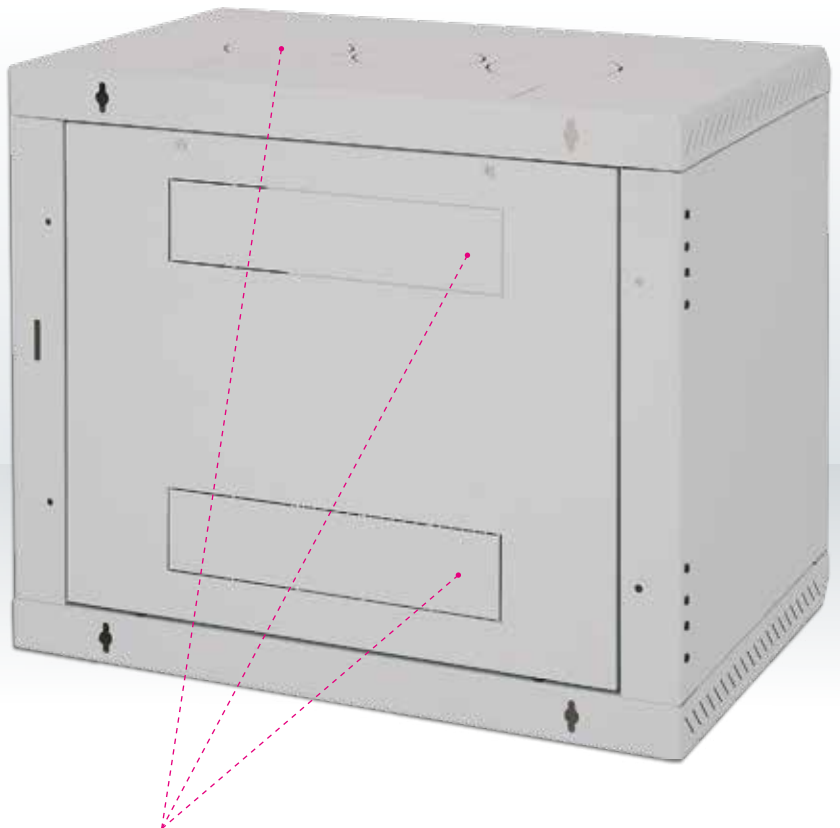


■ Adjustable vertical rails

One pair of vertical 19" rails is freely adjustable in any depth of the cabinet. This simplifies mounting of devices and organisation of connecting cables.

■ Door

The cabinet has fully glass door in standard. It can be steel or perforated if required.



■ Breakout-type blanking panels

Cable openings covered with breakout-type blanking panels are ready in the top, bottom and rear part of the cabinet. In the supply, there is a fringe edge and a blanking panel with a brush to seal the cabinet opening against dust penetration.

RBA (DELTA B 4S)										
Type	A	B	C	D	E	R1	R2	Weight gross (kg)	Weight net (kg)	Maximum recommended load (kg)
(mm)										
RBA-04-AS4-CAX-A1	280	175	516	600	395	234	420	12,0	11,7	60
RBA-06-AS4-CAX-A1	370	265	516	600	395	324	420	13,9	13,6	60
RBA-09-AS4-CAX-A1	500	395	516	600	395	454	420	16,5	16,1	80
RBA-12-AS4-CAX-A1	635	530	516	600	395	589	420	19,5	19,1	80
RBA-15-AS4-CAX-A1	770	665	516	600	395	724	420	22,2	21,8	100
RBA-18-AS4-CAX-A1	900	795	516	600	395	854	420	25,1	24,7	100

RBA (DELTA B 5S)										
Type	A	B	C	D	E	R1	R2	Weight gross (kg)	Weight net (kg)	Maximum recommended load (kg)
(mm)										
RBA-04-AS5-CAX-A1	280	175	516	600	495	234	420	13,8	13,5	60
RBA-06-AS5-CAX-A1	370	265	516	600	495	324	420	16,0	15,6	60
RBA-09-AS5-CAX-A1	500	395	516	600	495	454	420	18,8	18,4	80
RBA-12-AS5-CAX-A1	635	530	516	600	495	589	420	22,1	21,7	80
RBA-15-AS5-CAX-A1	770	665	516	600	495	724	420	25,0	24,6	100
RBA-18-AS5-CAX-A1	900	795	516	600	495	854	420	28,1	27,7	100

RBA (DELTA B 6S)										
Type	A	B	C	D	E	R1	R2	Weight gross (kg)	Weight net (kg)	Maximum recommended load (kg)
(mm)										
RBA-04-AS6-CAX-A1	280	175	516	600	595	234	420	15,8	15,5	60
RBA-06-AS6-CAX-A1	370	265	516	600	595	324	420	18,0	17,7	60
RBA-09-AS6-CAX-A1	500	395	516	600	595	454	420	21,1	20,8	80
RBA-12-AS6-CAX-A1	635	530	516	600	595	589	420	24,3	24,0	80
RBA-15-AS6-CAX-A1	770	665	516	600	595	724	420	27,6	27,2	100
RBA-18-AS6-CAX-A1	900	795	516	600	595	854	420	30,7	30,3	100

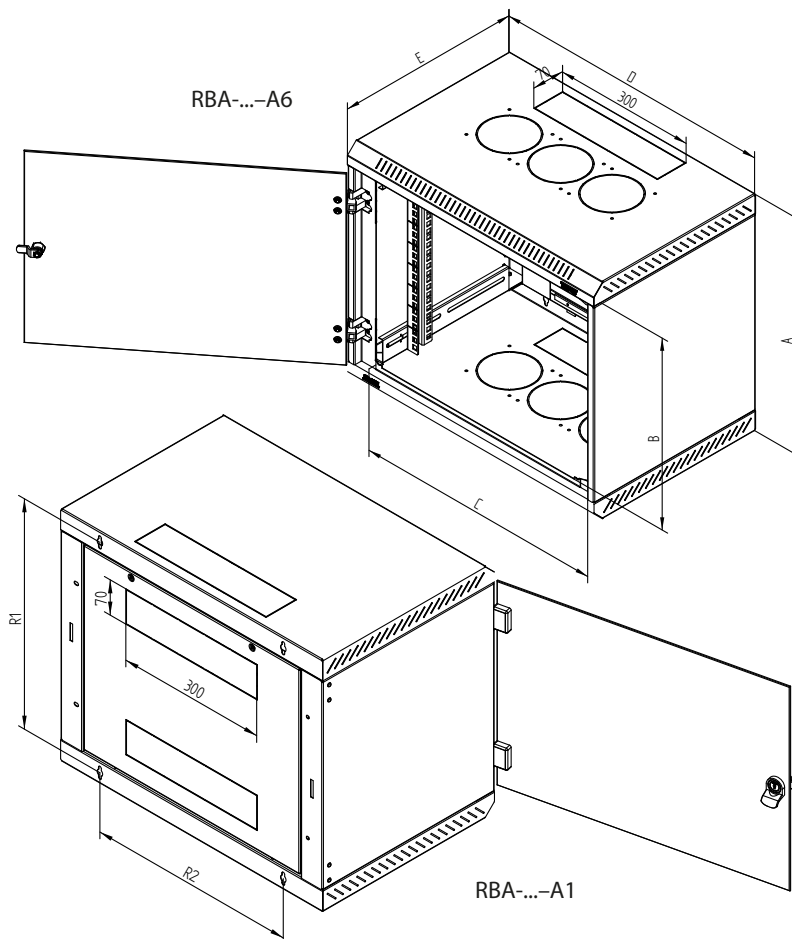
* For purchase of data cabinet ready for fans it is necessary to specify ...-A6 at the end of product code.



Ventilation

The RBA type A6* has 6 break-out blanking panels for the installation of ventilation units RAC-CH-X2x-X1 or fans RAX-CH-X07-X9 (up to 3 in top and 3 in bottom part of the cabinet).

The RBA cabinet provides with a possibility to install an equipment, which has never been cooled enough before. Such equipment could be only installed into free standing cabinets before.



Wall-mounted cabinet RBA – one-sectioned

Description, purpose of use

- 19" one-sectioned wall-mounted cabinet with IP30 protection
- Cabinet is to be hanged right on the wall.
- Cabinet includes two sliding vertical rails.
- Cabinet construction:
 - Compact welded cabinet
 - Safety hardened glass door, thickness 4 mm. On demand may be metal or perforated.
- Max. permissible load of the door is 10 kg.
- Min. thickness of the surface finish is 65 µm.
- Cabinets are intended for installation of data and telecommunication devices and their distribution systems.
- The frame of the cabinet and all the removable parts (side and rear covers, doors...) are bonded with patch cables that have to be properly fixed and inserted into connectors throughout the period of use of the cabinet.
- There is one M8 screw placed on the bottom part of the cabinet to connect the bonding.
- Cable openings covered with breakout-type blanking panels are placed in the top and the bottom part of the cabinet rear side, others are in the top and the bottom side of cabinet.
- An A6 version has several openings in the top and bottom part of the cabinet which allow to install ventilation units and which are covered with break-out blanking panels.

Operating conditions

- Operating environment:
 - Office
 - The cabinet is not intended for outdoor installations and for installations in environment that can influence negatively the functionality of the cabinet and the mounted devices (e.g. environment with danger of explosion or humid and wet surroundings)
- Must be protected against:
 - Mechanical damage
 - Improper handling
 - A different usage than the cabinet is intended for
- Improper handling is especially:
 - Overloading (exceeding the maximum recommended load)
 - Installing devices which may negatively influence the operation and function of the cabinet or the installed equipment.
 - Change of the construction or design of the cabinet

Installation of the cabinet

- To ensure the maximum recommended load, it is necessary to distribute the load equally.
- Place the cabinet on a flat floor and adjust any differences using the levelling feet.
- To avoid dust penetration in the case where cables lead through some of the cable openings, it may be sealed with a blanking panel with a brush and secured by the fringe edge (both are included in the delivery).

Environmental protection

- All parts are made of recyclable materials and after decommissioning the cabinet, it must be disposed of according to relevant regulations.

Certificate and conformity

- This product is certified with TÜV SÜD Czech.
Latest certificate is available at www.triton.cz/en/download/certificates
Product is fully in accordance with ČSN EN 62208 ed.2:2012(EN 62208:2011).



two-sectioned – RBA

Two-sectioned welded wall cabinet.
IP30, capacity 20-30 kg



■ Rigid construction

High quality workmanship and up-to-date technology ensure a perfect look of the cabinet.



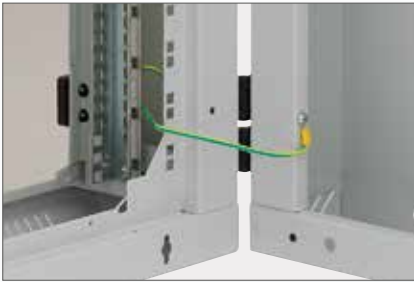
■ Flexible door opening

The hinge system allows the door to open almost 180°. The door can be easily removed and re-mounted to change the direction of opening.



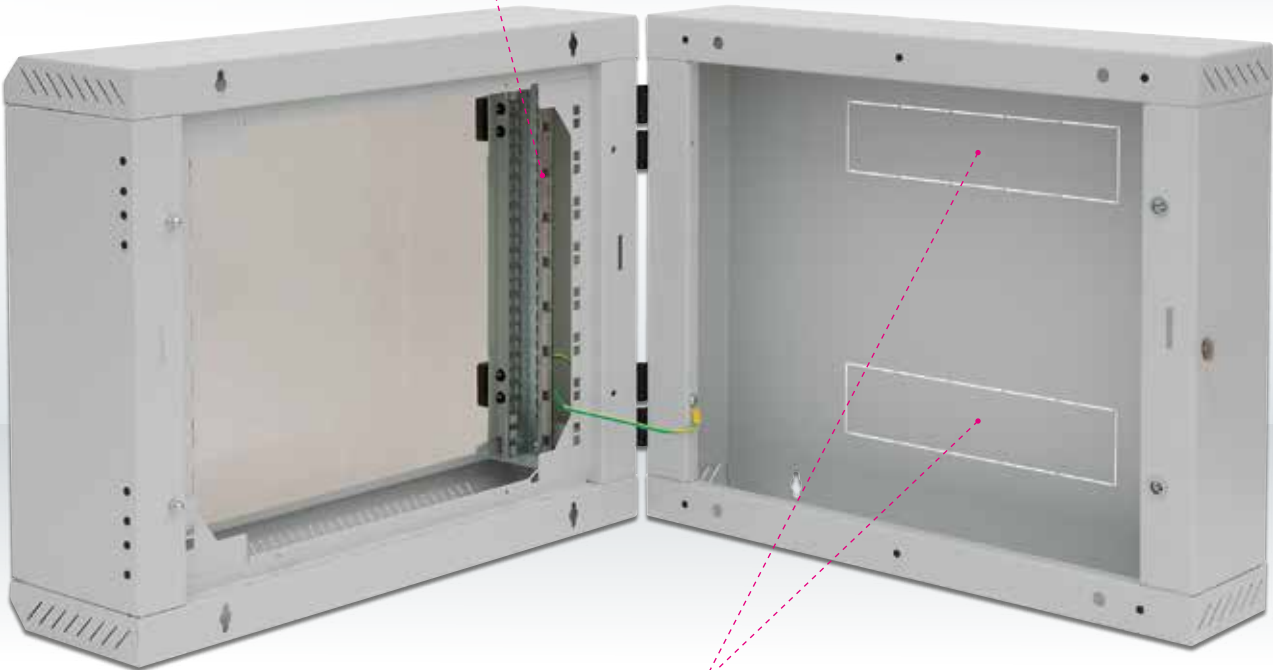
■ Locks

Door lock and back hinged section have in the standard version the same key.



■ Adjustable vertical rails

One pair of vertical 19" rails is freely adjustable in any depth of the cabinet. This simplifies mounting of the device and organisation of connecting cables.



■ Door

The cabinet has fully glass door in standard. It can be steel or perforated if required.

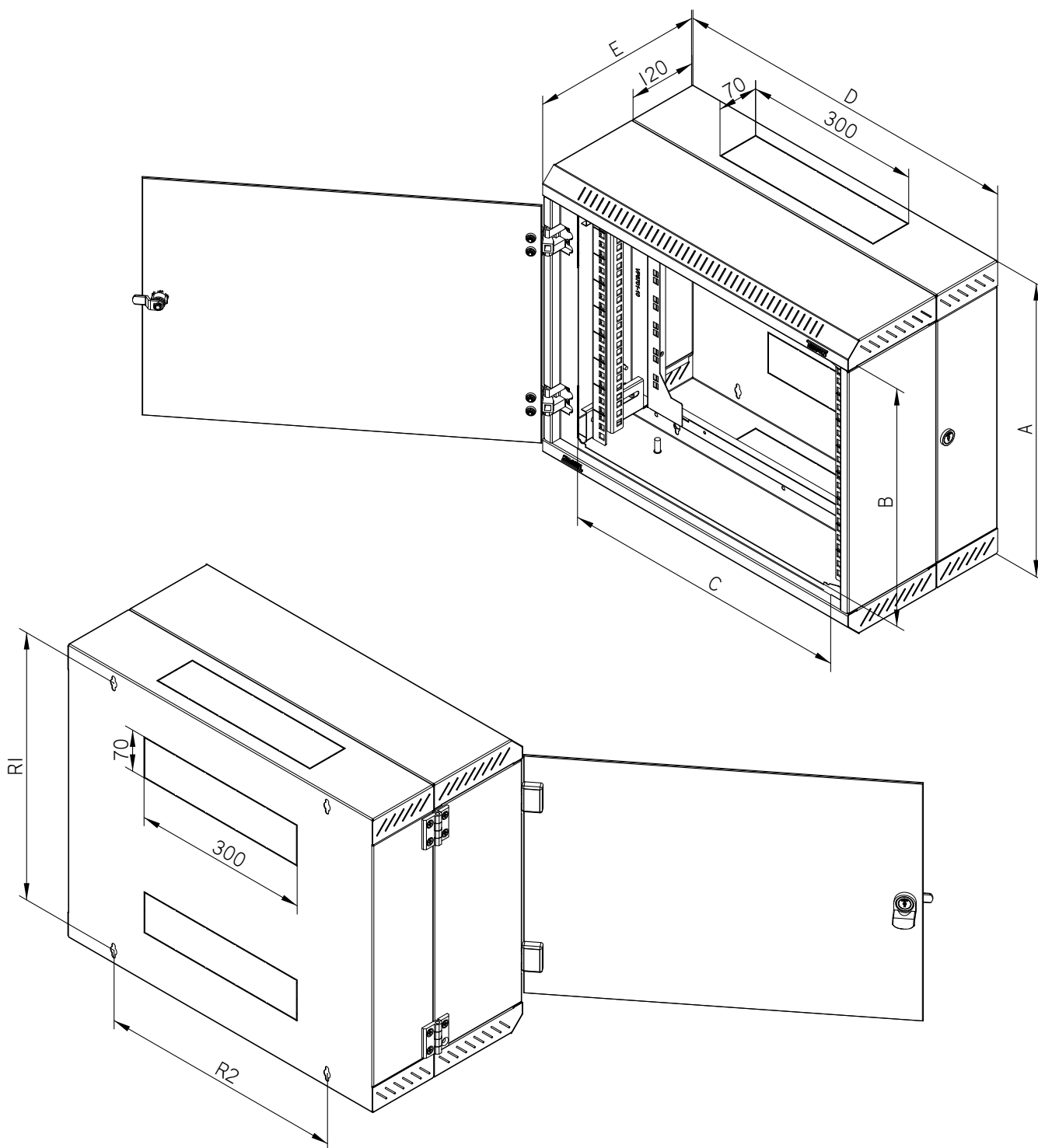
■ Breakout-type blanking panels

Cable openings covered with breakout-type blanking panels are ready in the top, bottom and rear part of the cabinet. In the supply, there is a fringe edge and a blanking panel with a brush to seal the cabinet opening against dust penetration.

■ Easy access

Construction of the cabinet enables easy access to the rear cabinet section. You can easily open the front part of the cabinet after unlocking side lock. All parts are bonded together.

RBA (DELTA B 2D)										
Type	A	B	C	D	E	R1	R2	Weight gross (kg)	Weight net (kg)	Maximum recommended load (kg)
	(mm)									
RBA-04-AD2-CAX-A1	280	175	516	600	295	234	420	11,1	10,8	30
RBA-06-AD2-CAX-A1	370	265	516	600	295	324	420	12,7	12,4	
RBA-09-AD2-CAX-A1	500	395	516	600	295	454	420	15,5	15,2	



RBA – two-sectioned



■ Rigid construction

High quality workmanship and up-to-date technology ensure a perfect look of the cabinet.



■ Flexible door opening

The hinge system allows the door to open almost 180°. The door can be easily removed and re-mounted to change the direction of opening.



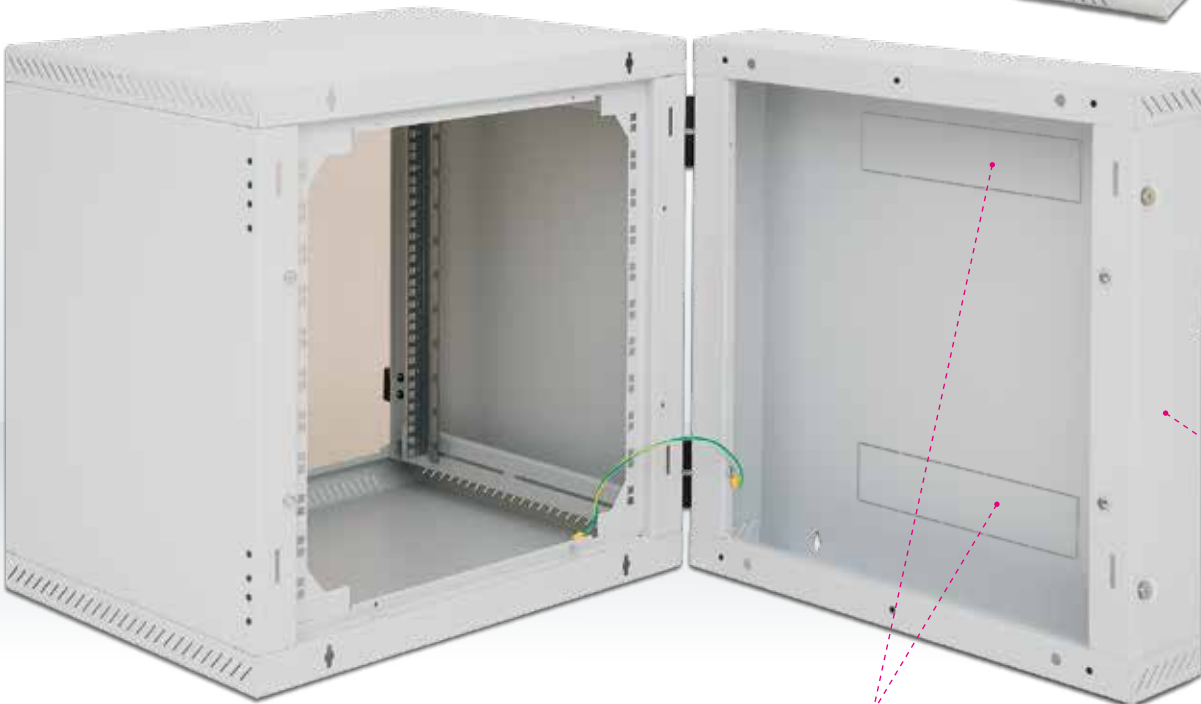
■ Locks

Door lock and back hinged section have in the standard version the same key.



■ Adjustable vertical rails

One pair of vertical 19" rails is freely adjustable in any depth of the cabinet. This simplifies mounting of the device and organisation of connecting cables.



■ Door

The cabinet has fully glass door in standard. It can be steel or perforated if required.

■ Breakout-type blanking panels

Cable openings covered with breakout-type blanking panels are ready in the top, bottom and rear part of the cabinet. In the supply, there is a fringe edge and a blanking panel with a brush to seal the cabinet opening against dust penetration.

RBA (DELTA B 5D)										
Type	A	B	C	D	E	R1	R2	Weight gross (kg)	Weight net (kg)	Maximum recommended load (kg)
(mm)										
RBA-04-AD5-CAX-A1	280	175	516	600	515	234	420	15,4	15,1	20
RBA-06-AD5-CAX-A1	370	265	516	600	515	324	420	17,3	16,9	20
RBA-09-AD5-CAX-A1	500	395	516	600	515	454	420	20,5	20,1	25
RBA-12-AD5-CAX-A1	635	530	516	600	515	589	420	23,9	23,5	25
RBA-15-AD5-CAX-A1	770	665	516	600	515	724	420	27,4	27,0	30
RBA-18-AD5-CAX-A1	900	795	516	600	515	854	420	30,5	30,1	30

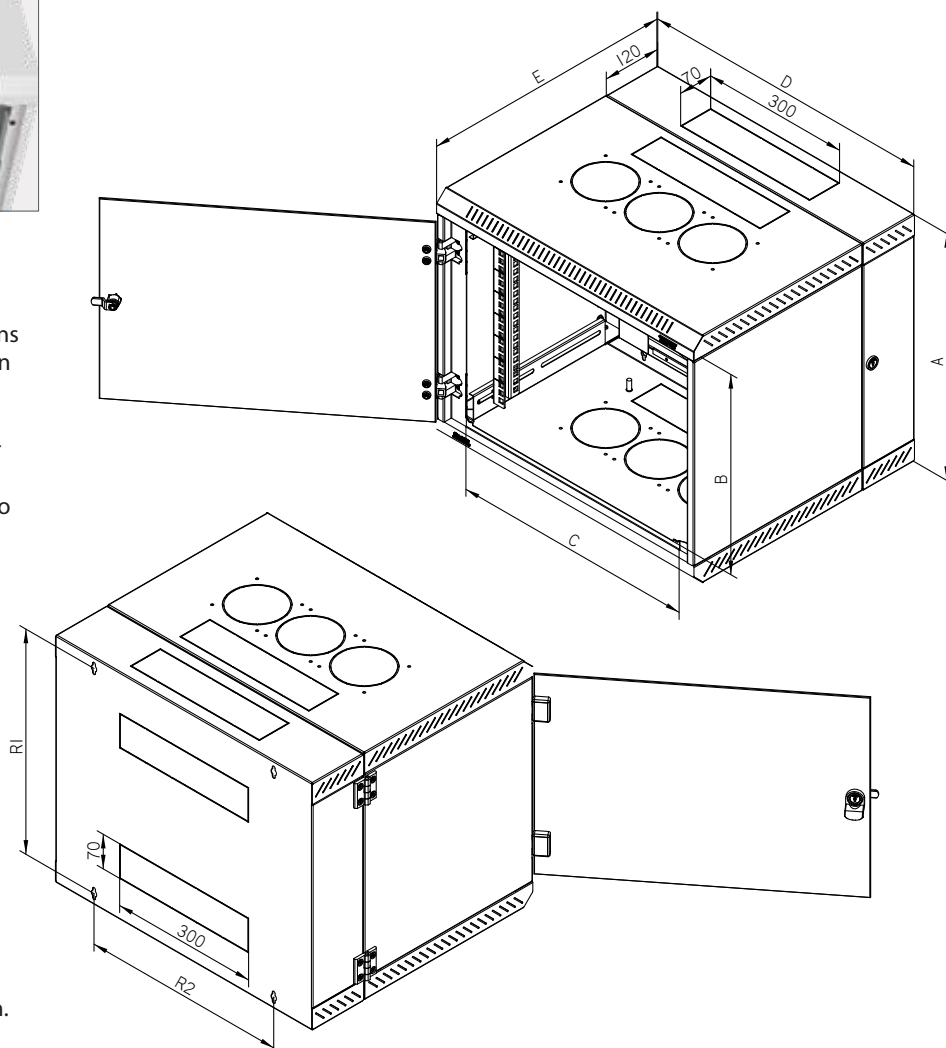
RBA (DELTA B 6D)										
Type	A	B	C	D	E	R1	R2	Weight gross (kg)	Weight net (kg)	Maximum recommended load (kg)
(mm)										
RBA-04-AD6-CAX-A1	280	175	516	600	615	234	420	17,3	17,0	20
RBA-06-AD6-CAX-A1	370	265	516	600	615	324	420	19,3	18,9	20
RBA-09-AD6-CAX-A1	500	395	516	600	615	454	420	22,7	22,4	25
RBA-12-AD6-CAX-A1	635	530	516	600	615	589	420	26,2	25,9	25
RBA-15-AD6-CAX-A1	770	665	516	600	615	724	420	29,7	29,3	30
RBA-18-AD6-CAX-A1	900	795	516	600	615	854	420	33,6	33,2	30

* For purchase of data cabinet ready for fans it is necessary to specify ...A6 at the end of product code.



Ventilation

The RBA type A6* has 6 break-out blanking panels for the installation of ventilation units RAC-CH-X2x-X1 or fans RAX-CH-X07-X9 (up to 3 in top and 3 in bottom part of the cabinet). The RBA cabinet provides with a possibility to install an equipment, which has never been cooled enough before. Such equipment could be only installed into free standing cabinets before.



Easy access

Construction of the cabinet enables easy access to the rear cabinet section. You can easily open the front part of the cabinet after unlocking side lock. All parts are bonded together.

Wall-mounted cabinet RBA – two-sectioned

■ Description, purpose of use

- 19" two-sectioned wall-mounted cabinet with IP30 protection
- Cabinet is to be hanged right on the wall.
- Cabinet includes two sliding vertical rails.
- Cabinet construction:
 - Compact welded cabinet
 - Safety hardened glass door, thickness 4 mm. On demand may be metal or perforated.
- Max. permissible load of the door is 10 kg.
- Min. thickness of the surface finish is 65 µm.
- Cabinets are intended for installation of data and telecommunication devices and their distribution systems.
- The frame of the cabinet and all the removable parts (side and rear covers, doors...) are bonded with patch cables that have to be properly fixed and inserted into connectors throughout the period of use of the cabinet.
- There is one M8 screw placed on the bottom part of the cabinet to connect the bonding.
- Cable openings covered with breakout-type blanking panels are placed in the top and the bottom part of the cabinet rear side, others are in the top and the bottom side of cabinet.
- An A6 version has several openings in the top and bottom part of the cabinet which allow to install ventilation units and which are covered with break-out blanking panels.

■ Operating conditions

- Operating environment:
 - Office
 - The cabinet is not intended for outdoor installations and for installations in environment that can influence negatively the functionality of the cabinet and the mounted devices (e.g. environment with danger of explosion or humid and wet surroundings)
- Must be protected against:
 - Mechanical damage
 - Improper handling
 - A different usage than the cabinet is intended for
- Improper handling is especially:
 - Overloading (exceeding the maximum recommended load)
 - Installing devices which may negatively influence the operation and function of the cabinet or the installed equipment.
 - Change of the construction or design of the cabinet

■ Installation of the cabinet

- To ensure the maximum recommended load, it is necessary to distribute the load equally.
- Place the cabinet on a flat floor and adjust any differences using the levelling feet.
- To avoid dust penetration in the case where cables lead through some of the cable openings, it may be sealed with a blanking panel with a brush and secured by the fringe edge (both are included in the delivery).
- Both cabinet sections are joined with a lock accessible from the side of the cabinet.

■ Environmental protection

- All parts are made of recyclable materials and after decommissioning the cabinet, it must be disposed of according to relevant regulations.

■ Certificate and conformity

- This product is certified with TÜV SÜD Czech.
Latest certificate is available at www.triton.cz/en/download/certificates
Product is fully in accordance with ČSN EN 62208 ed.2:2012(EN 62208:2011).



RUA

One-sectioned welded cabinet with removable side panels.
IP30, capacity 45 kg / with reinforcements 90kg



■ Rigid construction

High quality workmanship and up-to-date technology ensure a perfect look of the cabinet.



■ Flexible door opening

The hinge system allows the door to open almost 180°. The door can be easily removed and re-mounted to change the direction of opening.



■ Door lock


It enables an easy and quick access into the cabinet.

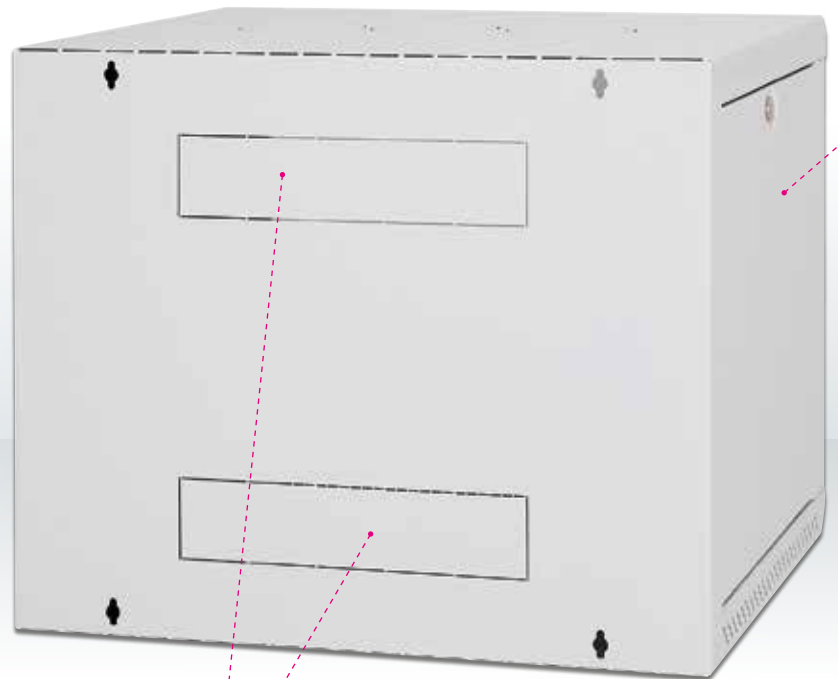


■ Adjustable vertical rails

Two pairs of vertical 19" rails are freely adjustable in any depth of the cabinet. This simplifies mounting of the device and organisation of connecting cables.

■ Reinforcements

The set of reinforcements (optional accessory) increases the load capacity of the cabinet up to 90 kg. It is necessary choose the version of the set with regard to the height and depth of the cabinet. 



■ Breakout-type blanking panels

Cable openings covered with breakout-type blanking panels are ready in the top, bottom and rear part of the cabinet. In the supply, there is a fringe edge and a blanking panel with a brush to seal the cabinet opening against dust penetration.

RUA (DELTA U AS4)										
Type	A	B	C	D	E	R1	R2	Weight gross (kg)	Weight net (kg)	Maximum recommended load (kg)
(mm)										
RUA-06-AS4-CAX-A1	370	265	530	600	395	324	420	14,5	14,2	45
RUA-09-AS4-CAX-A1	500	395	530	600	395	454	420	17,6	17,3	45 (with reinforcements - 90kg)
RUA-12-AS4-CAX-A1	635	530	530	600	395	589	420	20,6	20,3	
RUA-15-AS4-CAX-A1	770	665	530	600	395	724	420	22,3	22,0	
RUA-18-AS4-CAX-A1	900	795	530	600	395	854	420	26,9	26,6	

RUA (DELTA U AS5)										
Type	A	B	C	D	E	R1	R2	Weight gross (kg)	Weight net (kg)	Maximum recommended load (kg)
(mm)										
RUA-06-AS5-CAX-A1	370	265	530	600	495	324	420	16,4	16,1	45
RUA-09-AS5-CAX-A1	500	395	530	600	495	454	420	19,8	19,5	45 (with reinforcements - 90kg)
RUA-12-AS5-CAX-A1	635	530	530	600	495	589	420	22,0	21,7	
RUA-15-AS5-CAX-A1	770	665	530	600	495	724	420	26,3	26,0	
RUA-18-AS5-CAX-A1	900	795	530	600	495	854	420	29,5	29,1	

RUA (DELTA U AS6)										
Type	A	B	C	D	E	R1	R2	Weight gross (kg)	Weight net (kg)	Maximum recommended load (kg)
(mm)										
RUA-06-AS6-CAX-A1	370	265	530	600	595	324	420	19,2	18,9	45
RUA-09-AS6-CAX-A1	500	395	530	600	595	454	420	21,6	21,3	45 (with reinforcements - 90kg)
RUA-12-AS6-CAX-A1	635	530	530	600	595	589	420	26,3	26,0	
RUA-15-AS6-CAX-A1	770	665	530	600	595	724	420	28,9	28,5	

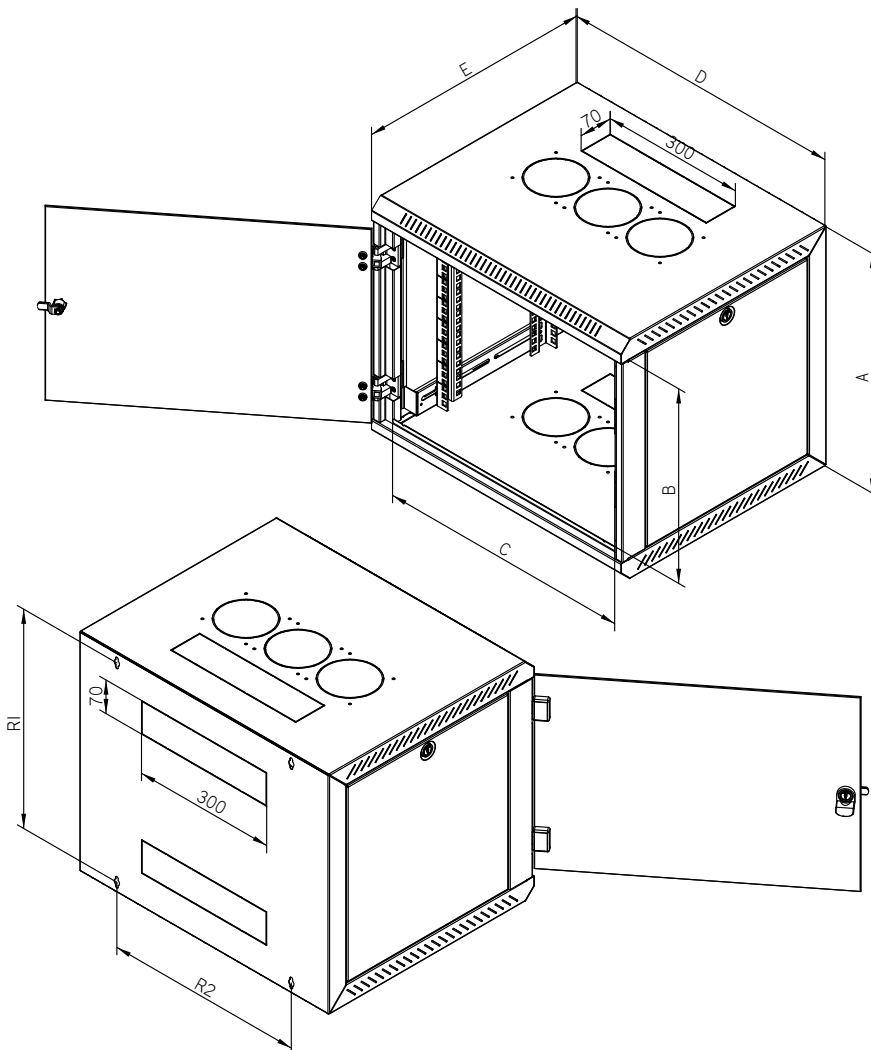
Removable side panels

Removable side panels enables easy access to the installed devices from the side.



Ventilation

The RUA type has 6 break-out blanking panels for the installation of ventilation units RAC-CH-X2x-X1 or fans RAX-CH-X07-X9 (up to 3 in top and 3 in bottom part of the cabinet). RUA therefore enables installation of devices that in the past could not be cooled sufficiently in wall-mounted cabinets and had to be installed into free-standing cabinets only.



RUA wall-mounted cabinet

Description, purpose of use

- 19" one-sectioned wall-mounted cabinet with IP30 protection
- Removable side panels secured by locks.
- Cabinet is to be hanged right on the wall.
- Cabinet includes two pairs of sliding vertical rails.
- Cabinet construction:
 - Welded frame with removable side panels secured by locks
 - Safety hardened glass door, thickness 4 mm. On demand may be metal or perforated.
- Max. permissible load of the door is 10 kg.
- Min. thickness of the surface finish is 65 µm.
- Cabinets are intended for installation of data and telecommunication devices and their distribution systems.
- The frame of the cabinet and all the removable parts (side and rear covers, doors...) are bonded with patch cables that have to be properly fixed and inserted into connectors throughout the period of use of the cabinet.
- There is one M8 screw placed on the bottom part of the cabinet to connect the bonding.
- Cable openings covered with breakout-type blanking panels are placed in the top and the bottom part of the cabinet rear side, others are in the top and the bottom side of cabinet.
- There are several openings in the top and bottom part of the cabinet which allow to install ventilation units and which are covered with break-out blanking panels.

Operating conditions

- Operating environment:
 - Office
 - The cabinet is not intended for outdoor installations and for installations in environment that can influence negatively the functionality of the cabinet and the mounted devices (e.g. environment with danger of explosion or humid and wet surroundings)
- Must be protected against:
 - Mechanical damage
 - Improper handling
 - A different usage than the cabinet is intended for
- Improper handling is especially:
 - Overloading (exceeding the maximum recommended load)
 - Installing devices which may negatively influence the operation and function of the cabinet or the installed equipment.
 - Change of the construction or design of the cabinet

Installation of the cabinet

- To ensure the maximum recommended load, it is necessary to distribute the load equally.
- Place the cabinet on a flat floor and adjust any differences using the levelling feet.
- To avoid dust penetration in the case where cables lead through some of the cable openings, it may be sealed with a blanking panel with a brush and secured by the fringe edge (both are included in the delivery).

Environmental protection

- All parts are made of recyclable materials and after decommissioning the cabinet, it must be disposed of according to relevant regulations

Certificate and conformity

- This product is certified with TÜV SÜD Czech.
Latest certificate is available at www.triton.cz/en/download/certificates
Product is fully in accordance with ČSN EN 62208 ed.2:2012(EN 62208:2011).



RXA

Flat-pack cabinet delivered disassembled.
IP30, capacity 35 kg



Flat-pack conception
Reduces cost of transportation and storage. Together with a unique construction, it contributes to the attractive price while keeping all functional characteristics.



Flexible door opening
The hinge system allows convenient access.

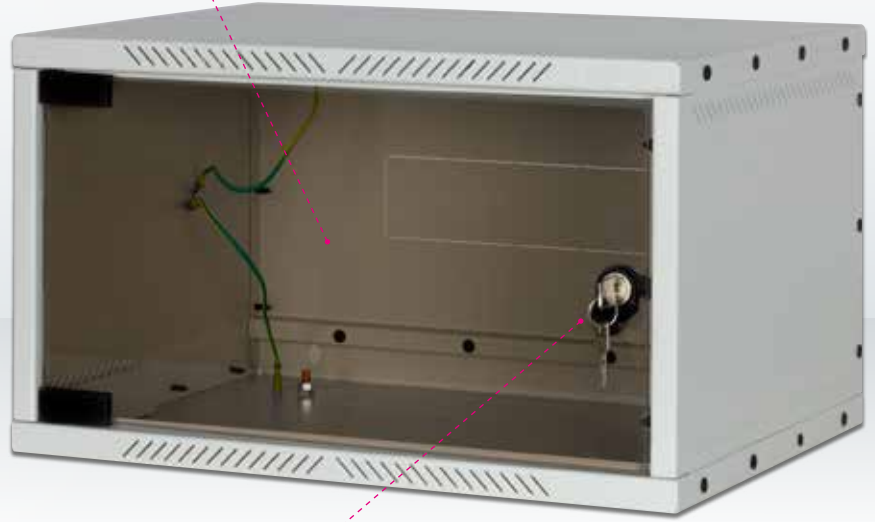


Door lock
Locks safely the cabinet and protects the installed devices.



Adjustable vertical rails
One pair of vertical 19" rails is step-adjustable in the front cabinet part. This simplifies mounting of the device and organisation of connecting cables.

Door
The cabinet has fully glass door in standard. It can be steel or perforated if required.



Breakout-type blanking panels
Cable openings covered with breakout-type blanking panels are ready in the top, bottom and rear part of the cabinet.

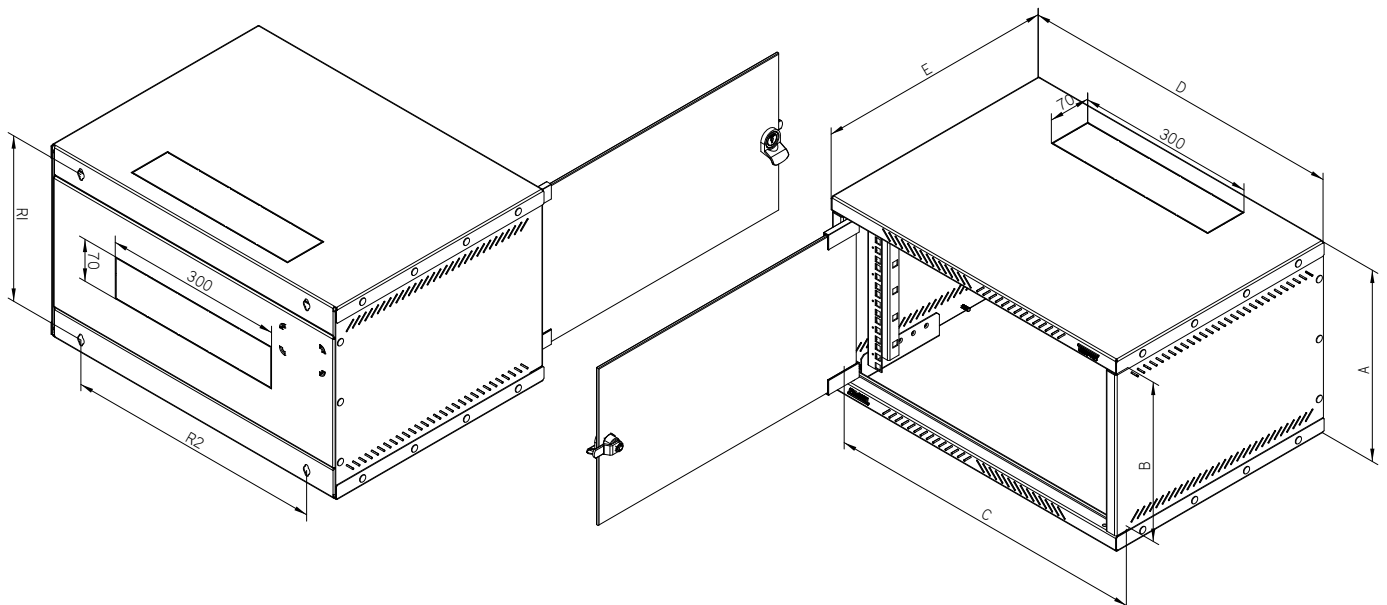
RXA (DELTA X AS4)										
Type	A	B	C	D	E	R1	R2	Weight gross (kg)	Weight net (kg)	Maximum recommended load (kg)
(mm)										
RXA-04-AS4-CAX-A1	230	180	505	550	400	180	435	11,4	11,2	35
RXA-06-AS4-CAX-A1	320	270	505	550	400	270	435	13,6	13,3	
RXA-09-AS4-CAX-A1	463	412	505	550	400	412	435	17,4	17,1	
RXA-12-AS4-CAX-A1	580	530	505	550	400	530	435	19,7	19,4	



RXA

Assembly

Thanks to its unique construction, the assembly procedure of RXA takes only a few minutes and requires only a few tools (Thorx T25). Plastic pins are used to join all the individual parts.



RXA wall-mounted cabinet

Description, purpose of use

- Ready to assemble 19" wall mounted cabinet with IP30 protection, supplied disassembled
- Cabinet is to be hanged right on the wall.
- Cabinet includes two adjustable vertical rails.
- Cabinet construction:
 - Cabinet is made from parts joined by plastic pins
 - Glass door: safety hardened glass, thickness 4 mm
- Max. permissible load of the door is 10 kg.
- Min. thickness of the surface finish is 65 µm.
- Cabinets are intended for installation of data and telecommunication devices and their distribution systems.
- The frame of the cabinet and all the removable parts (side and rear covers, doors...) are bonded with patch cables that have to be properly fixed and inserted into connectors throughout the period of use of the cabinet.
- There is one M8 screw placed on the bottom part of the cabinet to connect the bonding.
- Cable openings covered with breakout-type blanking panels are placed in the top and the bottom part of the cabinet rear side, others are in the top and the bottom side of cabinet.

Operating conditions

- Operating environment:
 - Office
 - The cabinet is not intended for outdoor installations and for installations in environment that can influence negatively the functionality of the cabinet and the mounted devices (e.g. environment with danger of explosion or humid and wet surroundings)
- Must be protected against:
 - Mechanical damage
 - Improper handling
 - A different usage than the cabinet is intended for
- Improper handling is especially:
 - Overloading (exceeding the maximum recommended load)
 - Installing devices which may negatively influence the operation and function of the cabinet or the installed equipment.
 - Change of the construction or design of the cabinet

Installation of the cabinet

- It is necessary to assemble all single cabinet parts and to join them with delivered plastic pins. See the enclosed manual for the detailed assembly procedure.
- This type of cabinet is to be hanged right on the wall using screws, wall plugs and washers. Spacing of mounting holes is indicated as „R“ in the cabinet scheme.
- To secure the maximum recommended load, it is necessary to fix the cabinet on the wall with an appropriate carrying capacity (brick, concrete or similar) and to distribute the installed loading equally.
- To avoid dust penetration in the case where cables lead through some of the cable openings, it may be sealed with a blanking panel with a brush and secured by the fringe edge.

Environmental protection

- All parts are made of recyclable materials and after decommissioning the cabinet, it must be disposed of according to relevant regulations.

Certificate and conformity

- This product is certified with TÜV SÜD Czech.
Latest certificate is available at www.triton.cz/en/download/certificates
Product is fully in accordance with ČSN EN 62208 ed.2:2012(EN 62208:2011).



RFA

Allows installation of large equipment in a wall cabinet.
IP20, capacity 50 kg



■ Adjustable vertical rails

One pair of vertical 19" rails is freely-adjustable within the cabinet depth. This simplifies mounting of the device and organisation of connecting cables.



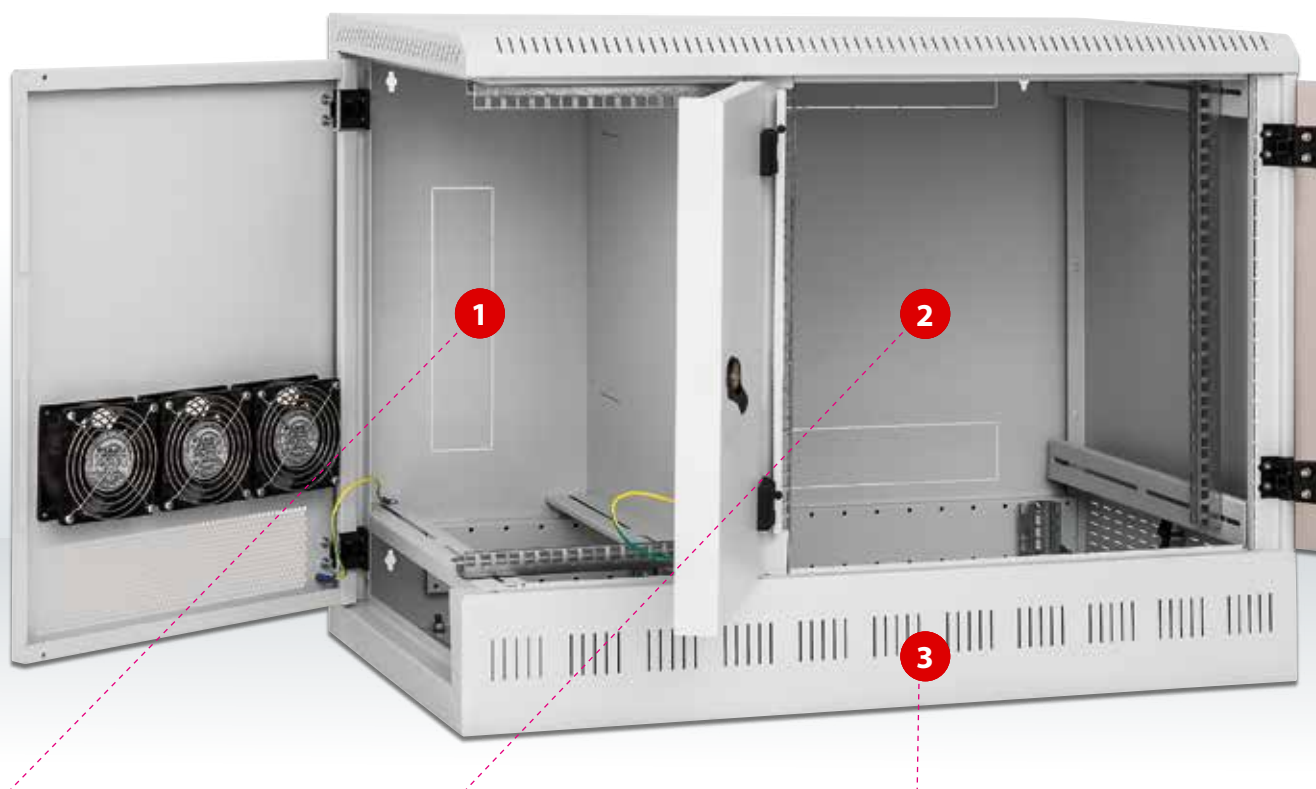
■ Flexible door opening

The hinge system allows the door to open almost 180°.



■ Rigid construction

High quality workmanship and up-to-date technology ensure a perfect look of the cabinet.



1st section

The first section allows installation of 19" equipment with a maximum height of 6U and depth of 450 mm. The device is positioned vertically and 19" rails are infinitely adjustable over the full depth of the cabinet. On the back wall is cable entry as well as at the top and bottom of cabinet. Cable connection between sections allow the opening at central divider. All cable entries have break-out covers.

2nd section

The second section offers mounting width 19", height 12U and depth 450 mm. Mounting rails are infinitely adjustable within whole depth. This section is usually used for structured cabling and active elements of the network. Here are individual services connected to the work places. The recommended capacity is up to 48 work places (2 ports per work place according to standards).

3rd section

The third section occupy whole bottom area of the wall cabinet. There is space for a device with a maximum depth of 800 mm, width 19" and height depend the model of the cabinet from 2 to 7 Units. Access to this section is by a door on the right side of the cabinet. Beside the cabinet must be kept sufficient space for the device installation and maintenance.

RFA

Type	A (mm)	Max server height	Weight gross (kg)	Weight net (kg)	Maximum recommended load (kg)
RFA-12-A95-CAX-A12	700	2U	39,0	38,4	50
RFA-12-A95-CAX-A13	745	3U	41,5	41,0	50
RFA-12-A95-CAX-A14	790	4U	43,5	43,0	50
RFA-12-A95-CAX-A15	835	5U	45,5	45,0	50
RFA-12-A95-CAX-A16	880	6U	47,5	47,0	50
RFA-12-A95-CAX-A17	925	7U	50,0	49,5	50



Bottom section for servers

19" section in the lower part of the cabinet is designed for installation of servers and other devices on sliding rails. It may have a capacity of 2 to 7 Unit. Each section of cabinet is closed by lock, on request with a unique key.



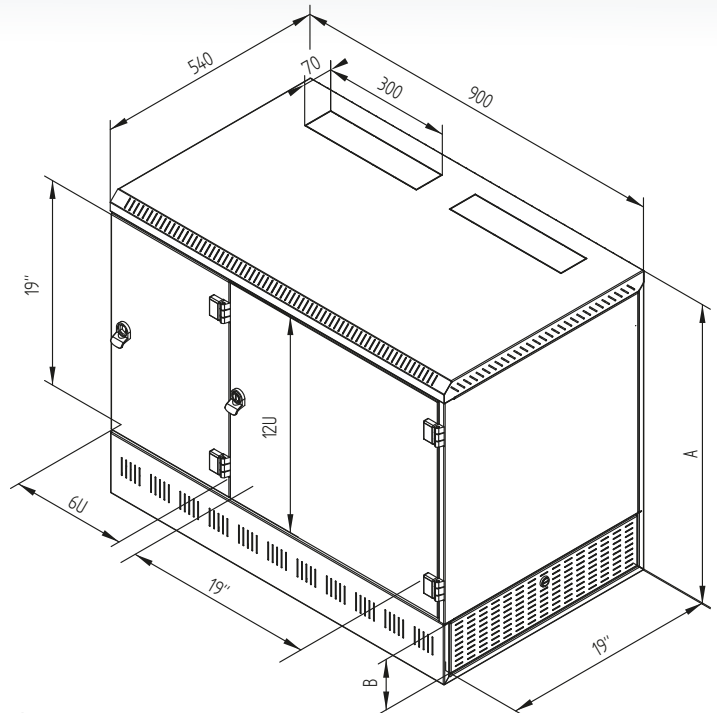
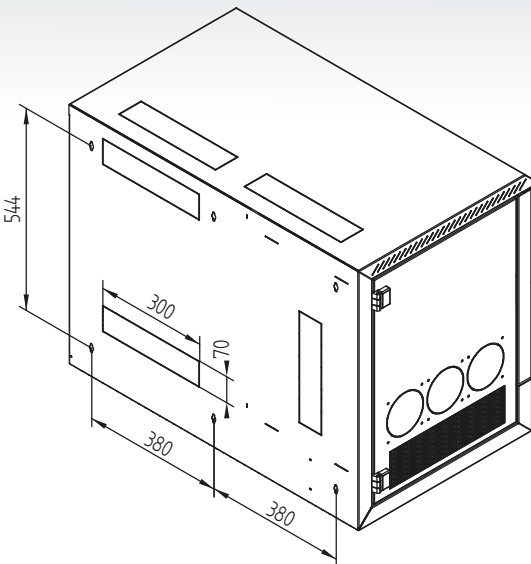
Server installation

Rack-mount servers or similar devices with a depth of up to 800 mm are mounted into cabinet using special telescopic rails, which are specific to each device and are not part of the cabinet.



Cooling of installed equipment

Cooling by air flow through perforation of the frame and side door can be supported by installation of fans for wall-mounted cabinets (RAX-CH-X07-X9 see Active Cooling).



The original version with vertically stored server 2U is still available on request.

RFA wall-mounted cabinet

Description, purpose of use

- 19" wall-mounted cabinet with IP20 protection
- Three separate 19" sections
- Cabinet is to be hanged right on the wall.
- Cabinet includes two adjustable vertical rails in each section.
- Cabinet construction:
 - Welded frame
 - Doors - a combination for different sections: safety hardened glass, thickness 4 mm (can be fully metal or perforated) solid steel and perforated
- Max. permissible load of the door is 10 kg.
- Min. thickness of the surface finish is 65 µm.
- Cabinets are intended for installation of data and telecommunication devices and their distribution systems.
- The frame of the cabinet and all the removable parts (side and rear covers, doors...) are bonded with patch cables that have to be properly fixed and inserted into connectors throughout the period of use of the cabinet.
- There is one M8 screw placed on the bottom part of the cabinet to connect the bonding.
- Cable openings covered with breakout-type blanking panels are placed in the top and the bottom part of the cabinet rear side, others are in the top and the bottom side of cabinet..
- Openings covered by break-out blanking panels, prepared for installation of cooling ventilators, are placed in the metal door of the first section.

Operating conditions

- Operating environment:
 - Office
 - The cabinet is not intended for outdoor installations and for installations in environment that can influence negatively the functionality of the cabinet and the mounted devices (e.g. environment with danger of explosion or humid and wet surroundings)
- Must be protected against:
 - Mechanical damage
 - Improper handling
 - A different usage than the cabinet is intended for
- Improper handling is especially:
 - Overloading (exceeding the maximum recommended load)
 - Installing devices which may negatively influence the operation and function of the cabinet or the installed equipment.
 - Change of the construction or design of the cabine

Installation of the cabinet

- Cabinet is to be hanged on the wall using the screws, dowels and washers (part of a supply). Spacing of holes designed for hanging is shown in the scheme.
- To secure the maximum recommended load, it is necessary to fix the cabinet on the wall with an appropriate carrying capacity (brick, concrete or similar) and to distribute the installed loading equally.
- To avoid dust penetration in a case where cables lead through some of the cable openings, you can seal it using a blanking panel with a brush and secured by the fringe edge (both are part of the cabinet supply).

Environmental protection

- All parts are made of recyclable materials and after decommissioning the cabinet, it must be disposed of according to relevant regulations.

Certificate and conformity

- This product is fully in accordance with ČSN EN 62208 ed 2:2012.



10"/19" – RKA

Welded 10" or 19" cabinet.
IP30, capacity 20 kg



■ Rigid construction

High quality workmanship and up-to-date technology ensure a perfect look of the cabinet.



■ Flexible door opening

The hinge system allows convenient access.



■ Door lock

Locks safely the cabinet and protects the installed devices.



■ Adjustable assembly frame

The installation 10"/19" frame can be adjusted within the inside of the cabinet and can be fitted into pre-arranged positions.

■ Door

The cabinet has fully glass door in standard. It can be steel or perforated if required.



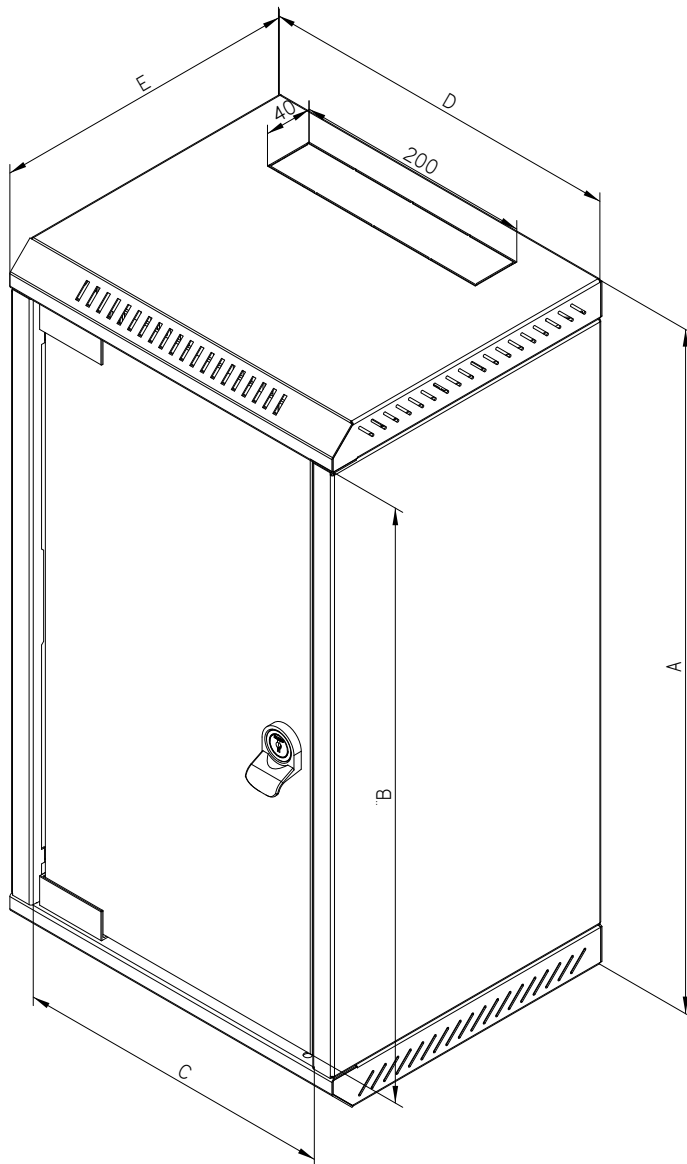
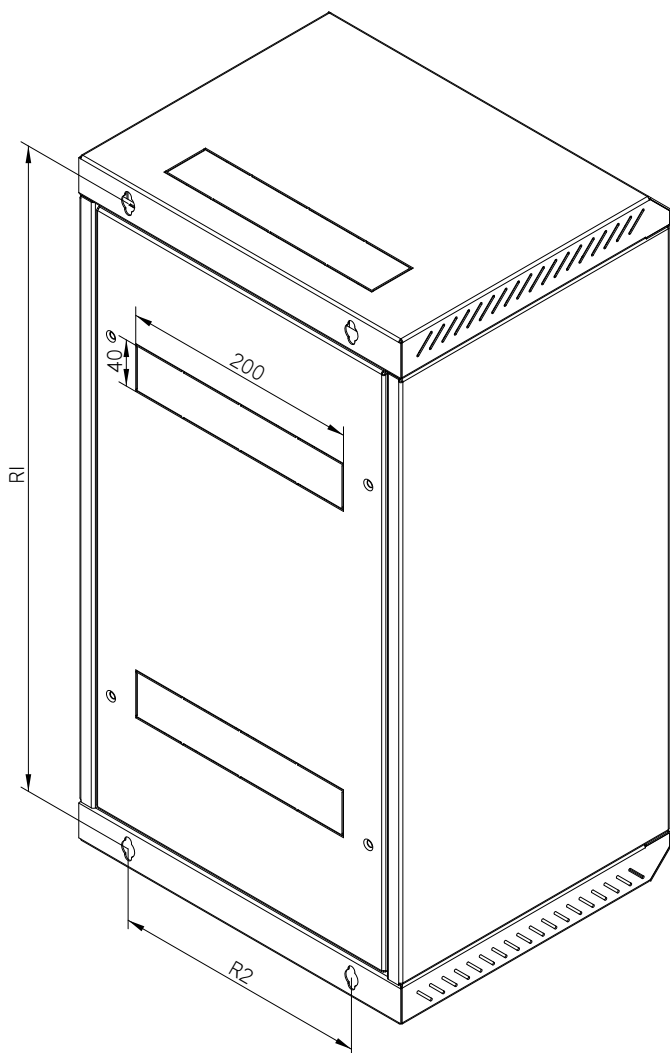
■ Breakout-type blanking panels

Cable openings covered with breakout-type blanking panels are located at the top, bottom and rear part of the cabinet.

RKA 10"/19"										
Type	A	B	C	D	E	R1	R2	Weight gross (kg)	Weight net (kg)	Maximum recommended load (kg)
(mm)										
RKA-10-AS3-CAX-X1	570	505	270	310	260	538	212	9,3	9,0	20
RKA-10-AS4-CAX-X1	570	505	270	310	360	538	212	11,0	10,7	
RKA-10-AS5-CAX-X1	570	505	270	310	460	538	212	12,6	12,3	

Use of the cabinet

Each cabinet allows the installation of 10" (10U horizontally) or 19" components (5U vertically). When the network must be enlarged, then it is not necessary to change the infrastructure. It is enough only to reconnect current cabling. All this makes the cabinet to become a perfect solution for all small and mid-sized installations (SOHO solutions). The cabinet is offered in three different depths which cover basic dimensions of active components, which are also intended for such solutions.



RKA

RKA wall-mounted cabinet

Description, purpose of use

- 10" / 19" wall mounted cabinet with IP30 protection
- Cabinet is to be hanged right on the wall.
- Cabinet includes adjustable frame for device installation.
- Cabinet construction:
 - Compact welded cabinet
 - Safety hardened glass door, thickness 4 mm. On demand may be metal or perforated.
- Max. permissible load of the door is 10 kg.
- Min. thickness of the surface finish is 65 µm.
- Cabinets are intended for installation of data and telecommunication devices and their distribution systems.
- The frame of the cabinet and all the removable parts (side and rear covers, doors...) are bonded with patch cables that have to be properly fixed and inserted into connectors throughout the period of use of the cabinet.
- There is one M5 screw placed on the bottom part of the cabinet to connect the bonding.
- Cable openings covered with breakout-type blanking panels are placed in the top and the bottom part of the cabinet rear side, others are in the top and the bottom side of cabinet.

Operating conditions

- Operating environment:
 - Office
 - The cabinet is not intended for outdoor installations and for installations in environment that can influence negatively the functionality of the cabinet and the mounted devices (e.g. environment with danger of explosion or humid and wet surroundings)
- Must be protected against:
 - Mechanical damage
 - Improper handling
 - A different usage than the cabinet is intended for
- Improper handling is especially:
 - Overloading (exceeding the maximum recommended load)
 - Installing devices which may negatively influence the operation and function of the cabinet or the installed equipment.
 - Change of the construction or design of the cabinet

Installation of the cabinet

- This type of cabinet is to be hanged right on the wall using screws, wall plugs and washers. Spacing of mounting holes is indicated as „R“ in the cabinet scheme.
- To secure the maximum recommended load, it is necessary to fix the cabinet on the wall with an appropriate carrying capacity (brick, concrete or similar) and to distribute the installed loading equally.

Environmental protection

- All parts are made of recyclable materials and after decommissioning the cabinet, it must be disposed of according to relevant regulations.

Certificate and conformity

- This product is fully in accordance with ČSN EN 62208 ed 2:2012.



RBA

10" – RBA

Cabinet for small office/home office network (SOHO).
IP30, capacity 20 kg



■ Rigid construction

High quality workmanship and up-to-date technology ensure a perfect look of the cabinet.



■ Flexible door opening

The hinge system allows convenient access.



■ Door lock

Locks safely the cabinet and protects the installed devices.

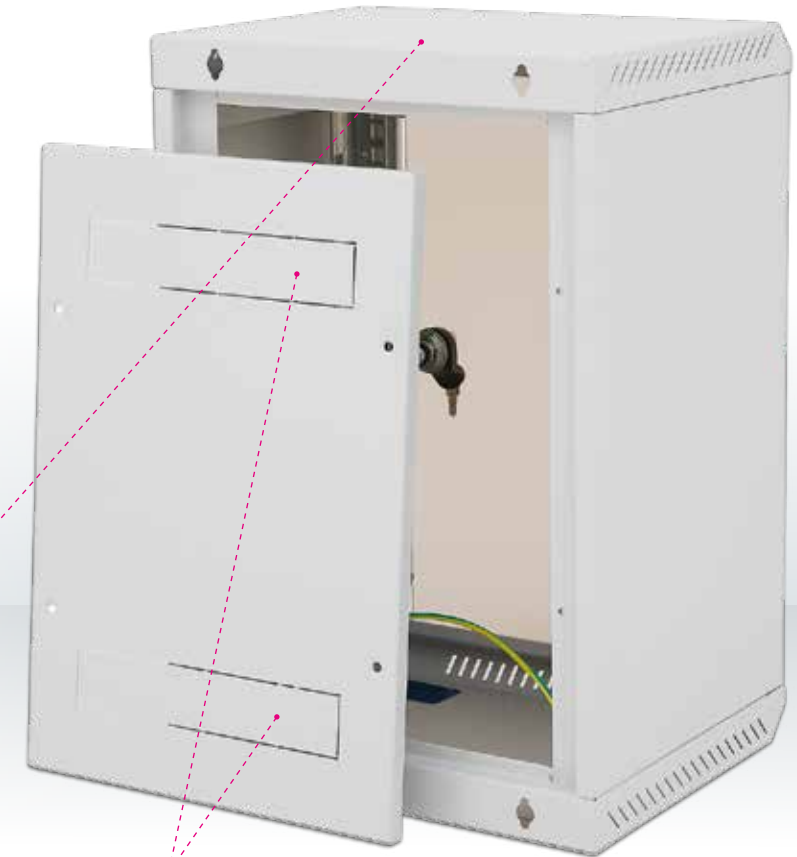


■ Adjustable vertical rails

10" rails are adjustably attached to the cabinet construction in predefined positions.

■ Door

The cabinet has fully glass door in standard. It can be steel or perforated if required.



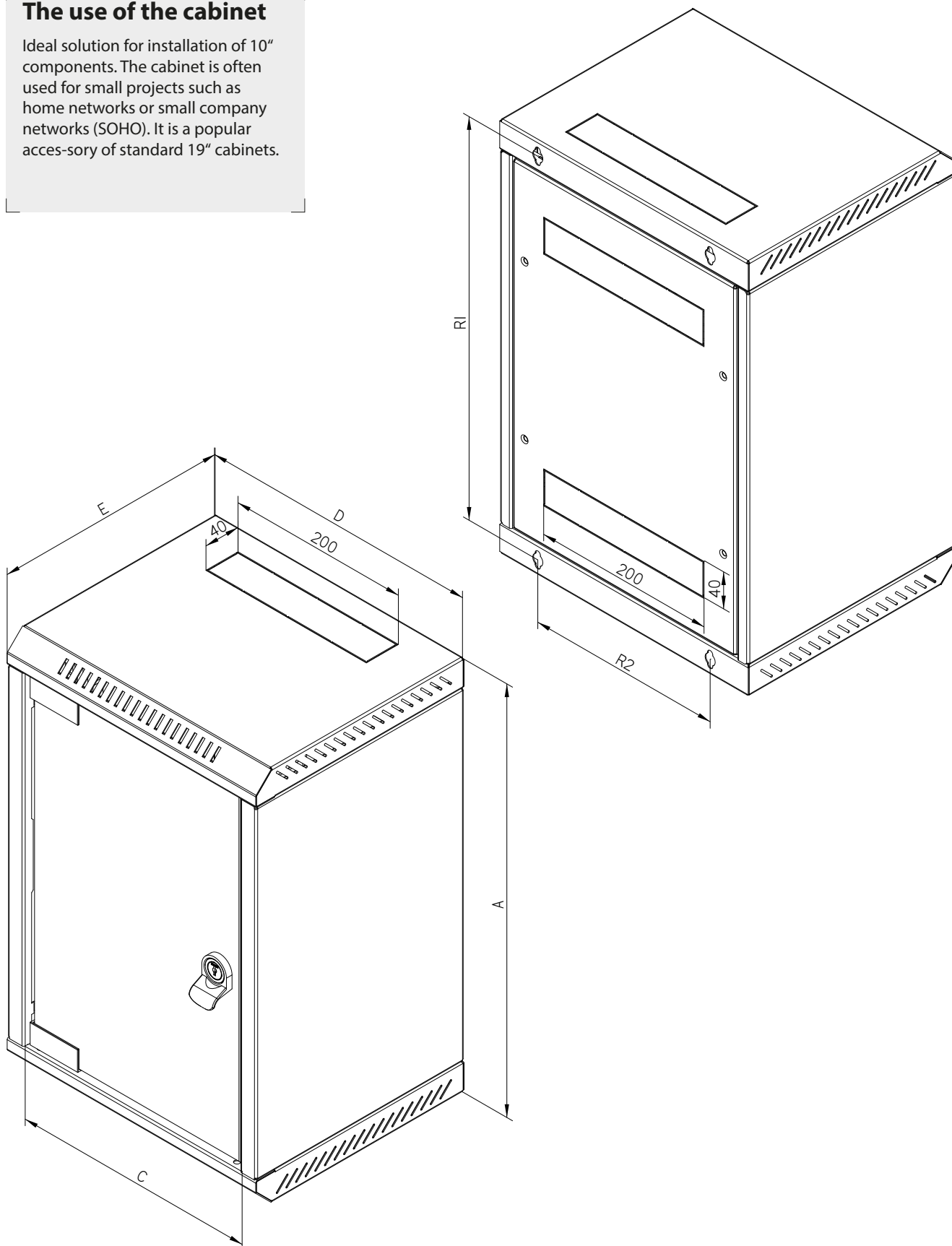
■ Breakout-type blanking panels

Cable openings covered with breakout-type blanking panels are located in the top, bottom and rear part of the cabinet.

RBA (DELTA 10")										
Type	A	B	C	D	E	R1	R2	Weight gross (kg)	Weight net (kg)	Maximum recommended load (kg)
	(mm)									
RBA-04-AS3-CAX-C1	248	169	255	310	260	212	212	5,5	5,4	20
RBA-06-AS3-CAX-C1	337	258	255	310	260	301	212	6,9	6,9	
RBA-09-AS3-CAX-C1	470	391	255	310	260	434	212	8,3	8,2	

The use of the cabinet

Ideal solution for installation of 10" components. The cabinet is often used for small projects such as home networks or small company networks (SOHO). It is a popular accessory of standard 19" cabinets.



RBA – 10“ wall-mounted cabinet

Description, purpose of use

- 10“ wall-mounted cabinet with IP30 protection
- Cabinet is to be hanged right on the wall.
- Cabinet includes two adjustable vertical rails.
- Cabinet construction:
 - Compact welded cabinet
 - Safety hardened glass door, thickness 4 mm. On demand may be metal or perforated.
- Max. permissible load of the door is 10 kg.
- Min. thickness of the surface finish is 65 µm.
- Cabinets are intended for installation of data and telecommunication devices and their distribution systems.
- The frame of the cabinet and all the removable parts (side and rear covers, doors...) are bonded with patch cables that have to be properly fixed and inserted into connectors throughout the period of use of the cabinet.
- There is one M5 screw placed on the bottom part of the cabinet to connect the bonding.
- Cable openings covered with breakout-type blanking panels are placed in the top and the bottom part of the cabinet rear side, others are in the top and the bottom side of cabinet.

Operating conditions

- Operating environment:
 - Office
 - The cabinet is not intended for outdoor installations and for installations in environment that can influence negatively the functionality of the cabinet and the mounted devices (e.g. environment with danger of explosion or humid and wet surroundings)
- Must be protected against:
 - Mechanical damage
 - Improper handling
 - A different usage than the cabinet is intended for
- Improper handling is especially:
 - Overloading (exceeding the maximum recommended load)
 - Installing devices which may negatively influence the operation and function of the cabinet or the installed equipment.
 - Change of the construction or design of the cabinet

Installation of the cabinet

- This type of cabinet is to be hanged right on the wall using screws, wall plugs and washers (included in the supply). Spacing of mounting holes is showed and indicated as „R“ in the cabinet scheme.
- To secure the maximum recommended load, it is necessary to fix the cabinet on the wall with an appropriate carrying capacity (brick, concrete or similar) and to distribute the installed loading equally.

Environmental protection

- All parts are made of recyclable materials and after decommissioning the cabinet, it must be disposed of according to relevant regulations.

Certificate and conformity

- This product is certified with TÜV SÜD Czech.
Latest certificate is available at www.triton.cz/en/download/certificates
Product is fully in accordance with ČSN EN 62208 ed.2:2012(EN 62208:2011).



Special Cabinets

Special Cabinets – Overview



RCA
Under desk cabinet.
IP30, capacity 200 kg

143



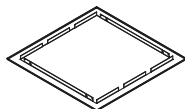
RNA
Data module of hybrid cabinets,
IP30 / IK05

147



SNA
Power module of hybrid cabinets
for home distribution systems, IP30 / IK06

153



RNA, SNA - Accessories
Accessories for RNA and SNA cabinets

159



RCA

Cabinet for consolidating office network infrastructure
under a desk. IP30, capacity 200 kg



■ Rigid construction

High quality workmanship and up-to-date technology ensure a perfect look of the cabinet.



■ Flexible door opening

The hinge system allows the door to open almost 180°. The door can be easily removed.



■ Door lock

It enables an easy and quick access into the cabinet.



■ Adjustable vertical rails

Cabinet contains two pairs of freely adjustable 19" rails. Versions deeper than 800 mm are delivered with one additional pair of the middle vertical rails.

■ Breakout-type blanking panels

Cable openings covered with breakout-type blanking panels are located in the bottom and rear part of the cabinet.

Door

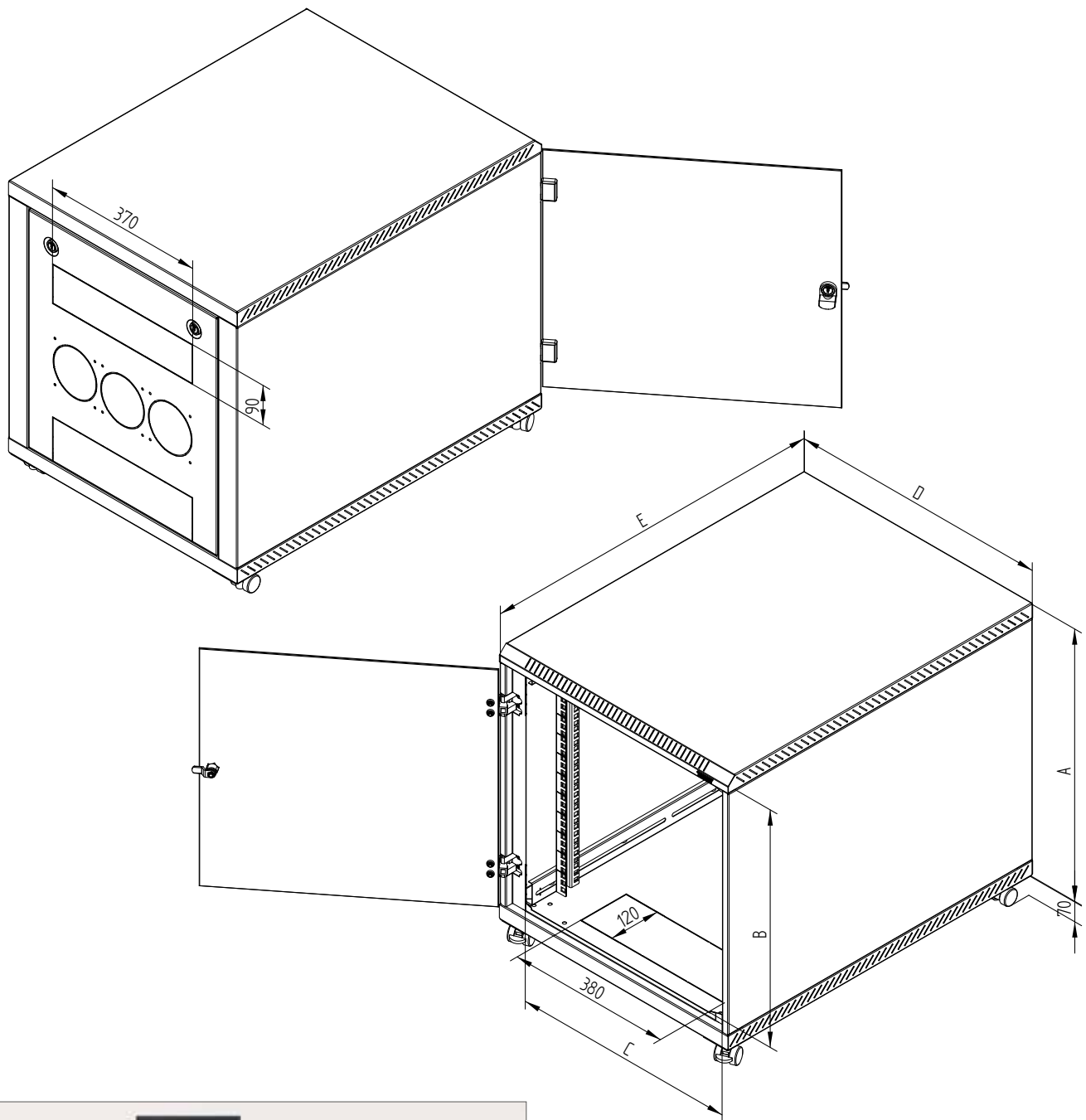
The cabinet has fully glass door in standard. It can be steel or perforated if required.



■ Castors

This type of cabinet is installed on castors (included in delivery). Two of them are with a brake.

RCA (DELTA C)								
Type	A	B	C	D	E	Weight gross (kg)	Weight net (kg)	Maximum recommended load (kg)
	(mm)							
RCA-12-A68-CAX-A1	620	515	490	600	800	48,0	40,1	200
RCA-12-A69-CAX-A1	620	515	490	600	900	53,2	43,4	
RCA-12-A61-CAX-A1	620	515	490	600	1000	56,3	45,9	



RCA



Fan unit installation

On the back wall is the preparation in form of break-out openings for the installation of fan units RAC-CH-X2x-X1 or fans RAX-CH-X07-X9 for wall mounting cabinet to support cooling of installed equipment (see Active cooling).

Supply

- Key for the front door 2x
- Castors without a brake 2x
- Castors with a brake 2x

RCA container cabinet

Description, purpose of use

- 19" container cabinet with IP30 protection
- Cabinet is intended to be placed on castors under a work desk.
- The cabinet includes two pairs of vertical rails (three pairs at cabinets deeper than 800 mm).
- Cabinet construction:
 - Compact welded cabinet
 - Safety hardened glass door, thickness 4 mm. On demand may be metal or perforated.
- Max. permissible load of the door is 10 kg.
- Min. thickness of the surface finish is 65 µm.
- Cabinets are intended for installation of data and telecommunication devices and their distribution systems.
- The frame of the cabinet and all the removable parts are bonded with patch cables that have to be properly fixed and inserted into connectors throughout the period of use of the cabinet.
- There is one M8 screw placed on the bottom part of the cabinet to connect the bonding.
- Cable openings covered with breakout-type blanking panels are placed in the top and the bottom part of the cabinet rear side, others are in the bottom side of the cabinet.

Operating conditions

- Operating environment:
 - Office
 - The cabinet is not intended for outdoor installations and for installations in environment that can influence negatively the functionality of the cabinet and the mounted devices (e.g. environment with danger of explosion or humid and wet surroundings)
- Must be protected against:
 - Mechanical damage
 - Improper handling
 - A different usage than the cabinet is intended for
- Improper handling is especially:
 - Overloading (exceeding the maximum recommended load)
 - Device installation that can influence negatively operation and function of the cabinet or the installed equipment
 - Change of the construction or design of the cabinet

Installation of the cabinet

- This type of cabinet is installed on castors (included in supply). Two of them are with brake.

Environmental protection

- All parts are made of recyclable materials and after decommissioning the cabinet, it must be disposed of according to relevant regulations.

Certificate and conformity

- This product is certified with TÜV SÜD Czech.
Latest certificate is available at www.triton.cz/en/download/certificates
Product is fully in accordance with ČSN EN 62208 ed.2:2012(EN 62208:2011).



hybrid cabinet – RNA

Data module of hybrid cabinets for home distribution systems. IP 20 / IK 05



■ Swing side panels

Side panels on both sides of the cabinet are folded for easy installation of mounted components. All removable and rotating parts are connected according to the standard.



■ Data distribution

For the installation of data and communication distribution are prepared Keystone Standard modules in which easily fit any cables.

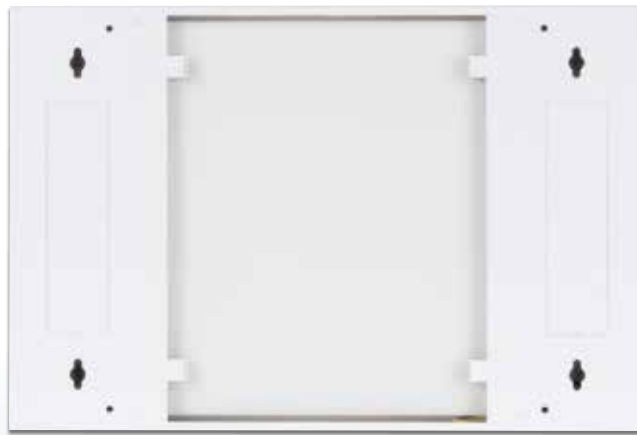


■ Power supply

On the opposite side of the data distribution system is preparation for the installation of the power system 230 V. According to the size of the cabinet there is a prepared opening for mounting classic sockets (with protective plastic box) and / or 10" 1U mounting opening extended for the possibility to install up to three common sockets.

■ Door construction

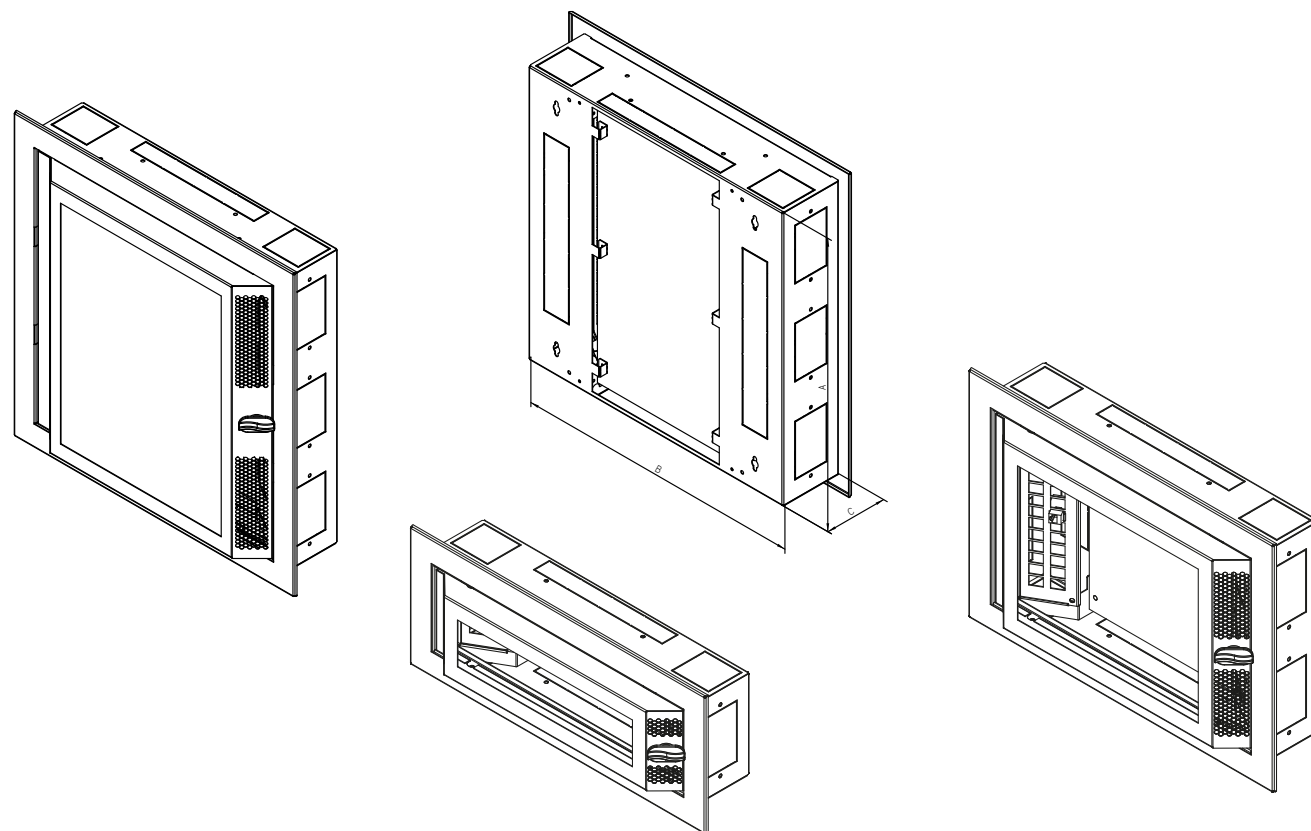
Plastic door panels and the entire structure support installation of WiFi devices.



Data cabinet is designed to accomplish all home cable distribution and installation of active elements. It is possible here to connect Internet, TV and satellite distribution systems, audio, as well as traditional telephone and ADSL connections.

Cable entries on the top, bottom and both sides of the cabinet allow it's mounting into larger assemblies with other cabinets of this series including power distribution cabinets. The doors of the cabinet are raised upward to ensure the necessary bending radius of the cables, including fiber cables. Perforation on the sides helps cooling of installed active elements. Installation of equipment with self-tapping screws on the inner plastic plate is quick and easy. Cabinets are supplied in modular height where one module occupies 166 mm. Power distribution cabinets of this series are in these modules as well. Width and depth of the cabinet is the same for all heights. The cabinet is universal for mounting on the wall or under the wall plaster. For installation in a recess in the wall is available a cover frame.

Thanks to the modularity can be used for example 2 modules high data part and 1 module electro, all covered with 3 modular frame.



RNA



RNA											
Type	Outer sizes (mm)			Span for hanging		Number of modules	Mounting plate w x h (mm)	10" mounting opening for sockets	Opening for sockets	Weight gross (kg)	Weight net (kg)
	A	B	C	R1	R2						
RNA-01-A51-YXX-X1	166	500	110	76	390	2 x 4	260 x 141	0	1	4,6	4,4
RNA-02-A51-YXX-X1	333	500	110	243	390	2 x 13	260 x 308	1	0	6,7	6,4
RNA-03-A51-YXX-X1	500	500	110	410	390	2 x 22	260 x 475	1	1	7	6,7

Recess for installation cabinet in the wall must be about 15-20 mm larger in each direction than the size of the cabinet. Usable depth of equipment is 110 mm.



■ Data distributions

There is a swing bearing panel with holes according to the most widely used Keystone Standard ready in the cabinet, for any data cabling termination - optical or metallic. All moving or detachable parts of the cabinet are interconnected according to standard.



■ Slide lock

The door of the cabinet are secured with a plastic slide lock which closes them securely against spontaneous and accidental opening and also allows easy operation of installed equipment.



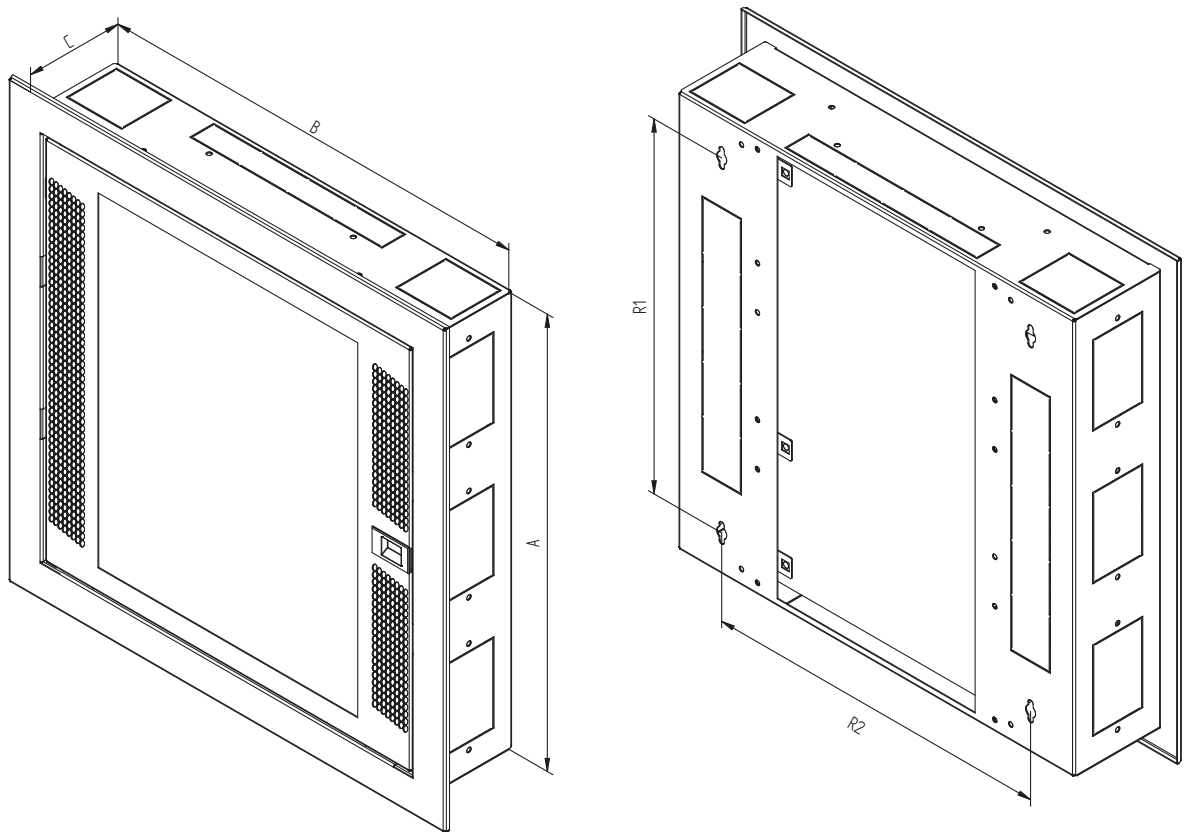
■ Power supply

For mounting power distributions of 230 V, there is a separable panel available in every cabinet. This separable panel is designed for installation of classic sockets with protective plastic box. In larger cabinets it is possible to install even 10" distribution panel. In the flat door version it is only possible to use sockets called Legrand size - with the frontal panel size 45 x 45 mm.



Flat door version cabinet

Data cabinet RNA with the flat door (version -X2 in the end of the code) was developed for installation in places, where it is not possible to profit from the benefits of standard model of this cabinet. The total depth of this modified cabinet, including door, reaches only 110 mm. But using flat door brings some restrictions. The holder of the keystone for fitting data distributions is positioned upright to the plastic mounting plate, so the cables are interfering more to the space which is designed for installation active elements. Also, part which is specified (designed) for power supply distribution is different from the basic model. Because of the space restriction it is only possible to use sockets with the outside sizes 45 x 45 mm (called Legrand standard) without cover frame and the sockets are mounted on removable mounting panel. The possibility of using 10" power panel with the RNA-02 and RNA-03 types remained unchanged, as well as other properties of the basic version cabinet (mounting on/under the plaster, modularity etc.). The space for installation of the cartridge for optical welds in the space behind the plastic mounting plate meets the requirements of the relevant standards for the home installation.



RNA - Flat door version cabinet											
Type	Outer sizes (mm)			Span for hanging		Number of modules	Mounting plate w x h (mm)	10" mounting opening for sockets	Opening for sockets	Weight gross (kg)	Weight net (kg)
	A	B	C	R1	R2						
RNA-01-A51-YXX-X2	166	500	110	76	390	2 x 4	260 x 141	0	1	4,6	4,4
RNA-02-A51-YXX-X2	333	500	110	243	390	2 x 13	260 x 308	1	0	6,7	6,4
RNA-03-A51-YXX-X2	500	500	110	410	390	2 x 22	260 x 475	1	1	7	6,7

Recess for installation cabinet in the wall must be about 15-20 mm larger in each direction than the size of the cabinet. Usable depth of equipment is 80 mm.

Data cabinet RNA

Description, purpose of use

- IP 20 / IK 05
- Cabinet hangs directly on the wall or can be installed in a prepared recess in the wall.
- Cabinet is designed for individual assembly or with cabinet SNA.
- Multigate (cable openings) on the top, bottom and both side panels of the cabinet allow joining the cabinet into the larger sets with other cabinets of this series including an electrical cabinets SNA type.
- Cabinet construction:
 - welded frame from 1 mm thick sheet steel combined with plastic PEHD 8 mm.
 - frame door combined with steel of 1 mm thickness and plastic PP-H 1,5 mm.
- The frame of the cabinet and all the removable parts (side and rear covers, doors...) are bonded with patch cables that have to be properly fixed and inserted into connectors throughout the period of use of the cabinet.
- There is one M8 screw placed on the bottom part of the cabinet to connect the bonding.
- Cable openings covered with breakout-type blanking panels are placed in the top and the bottom of the cabinets, as well as on the sides.
- Maximum permissible load – cabinet: 20 kg; door: 2 kg.

Operating conditions

- Operating environment:
 - houses, private residences
 - cabinets are not intended for outdoor installation or installation in environments which could adversely affect the functionality of the cabinet and the equipment installed in it (such as an environment where there is a danger of explosions or a damp or humid environment)
- Must be protected against:
 - physical damage
 - improper handling
 - other uses than the one it was intended for
- Improper handling means primarily:
 - overloading (exceeding the maximum recommended loading capacity)
 - installing equipment which could adversely affect the operation and functionality of the cabinet or other installed devices
 - interference with the construction or design of the cabinet

Installation of the cabinet

- This type of cabinet hangs directly on the wall, held in place by screws, anchors and washers.
- Can be also installed in a prepared recess in a wall using standard construction methods.
- To ensure the maximum recommended loading capacity, it is necessary to fix the cabinet securely to a wall of corresponding capacity (brick, concrete or similar) and to install all equipment inside in such a way as to evenly spread out the weight of the equipment.

Environmental protection

- All parts are made of recyclable materials and after decommissioning the cabinet, it must be disposed of according to relevant regulations.

Certificate and conformity

- This product fully meets the standards of ČSN EN 62208 ed. 2 (357040), (EN 62208:2011), (idt IEC 62208:2011).



hybrid cabinet – **SNA**

Power distribution module of hybrid cabinets
for home distribution systems. IP 30 / IK 06



■ Removable door

The system of hinges fixing allows easy dismantling of the door.



■ Cover frame

When using the possibility of installation in the recess in the wall there are available cover frames for the various combinations of sizes.



■ Unique design of the door

The structure of the cabinet is designed for minimum installation depth.



Terminal block PE + N

Part of the cabinets are terminal block for connecting the PE and N wires and screw to connect the bonding.

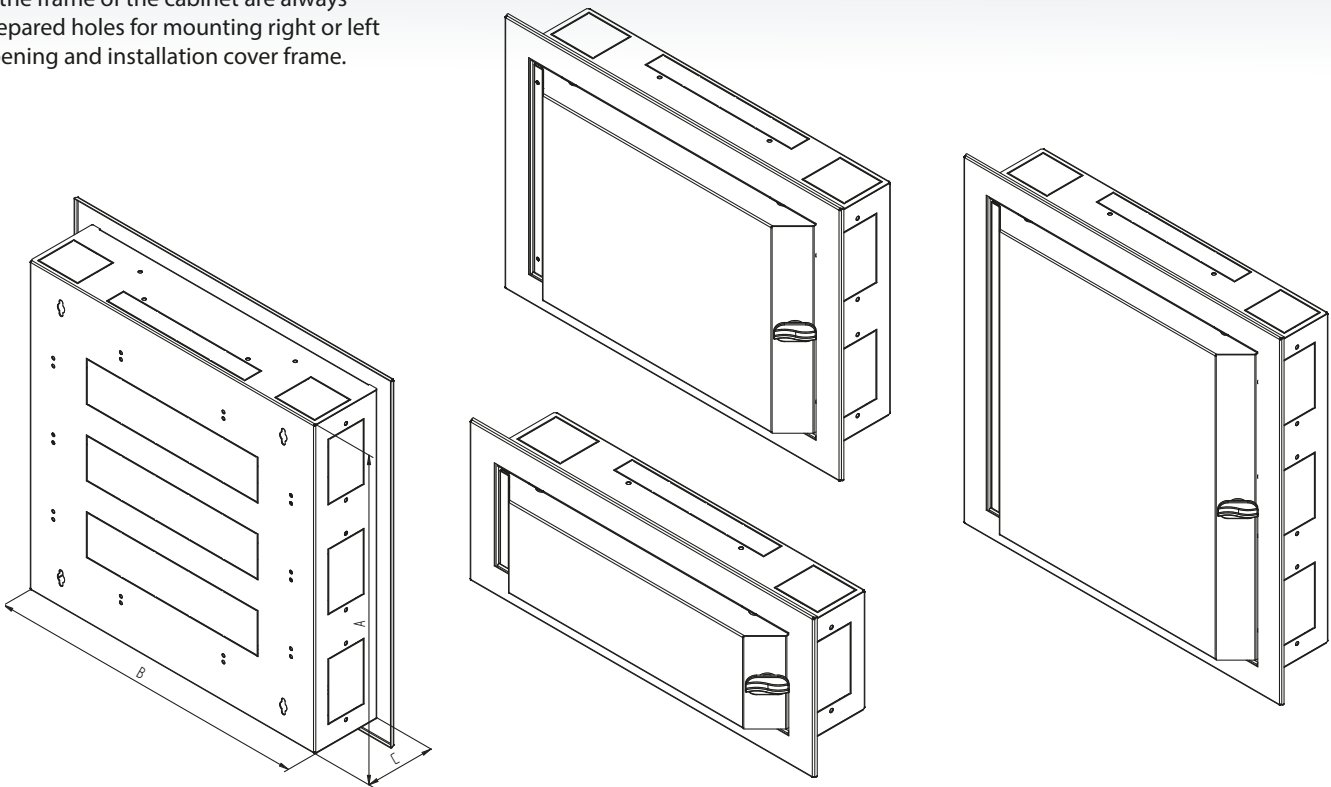


Mounting variability

In the frame of the cabinet are always prepared holes for mounting right or left opening and installation cover frame.

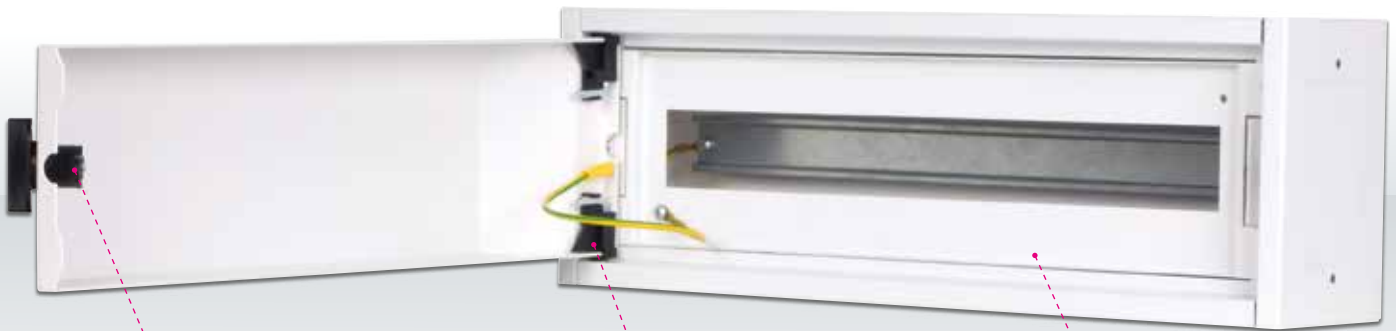


SNA



SNA									
Type	Outer sizes (mm)			Span for hanging		Number of modules	Heat Dissipation [W]*	Weight gross (kg)	Weight net (kg)
	A	B	C	R1	R2				
SNA-01-C51-YXX-X1	166	500	110	76	390	1 x 22	25	4,6	4,4
SNA-02-C51-YXX-X1	333	500	110	243	390	2 x 22	41	6,7	6,4
SNA-03-C51-YXX-X1	500	500	110	410	390	3 x 22	58	7	6,7

Recess for installation cabinet in the wall must be about 15-20 mm larger in each direction than the size of the cabinet.
 * Scattering of thermal energy is set by calculation according IEC 890+A1 for: cabinet by its back to the wall, without fan openings, without horizontal bulkhead, warming up to 20 K in 3/4 height of the cover.



■ Slide lock

Plastic slide lock meets the requirement of easy opening the power cabinet, does not protrude in front of the cabinet and protects the cabinet against accidental opening.



■ Flat door

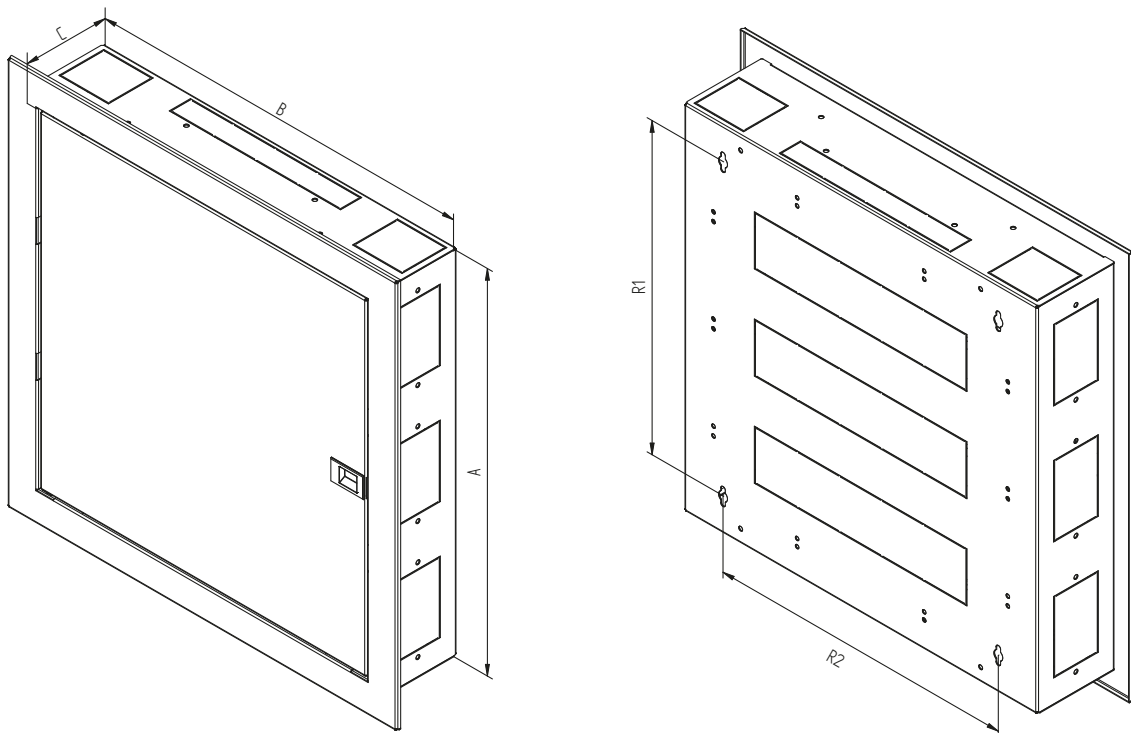
The -X2 version cabinet has a flat door which are not protruding in front of the skeleton of the cabinet. It is easy to change the door's opening side or demount them completely for a comfort installation.



■ DIN rails

Because of the flat door, DIN rails had to be moved more to the depth of the cabinet, so that seamless function of the installed devices was maintained. Terminal PE + N was maintained and the space under the DIN rails still allows comfort connecting of the conductors.





SNA - Flat door version cabinet

Type	Outer sizes (mm)			Span for hanging		Number of modules	Heat Dissipation [W]*	Weight gross (kg)	Weight net (kg)
	A	B	C	R1	R2				
SNA-01-C51-YXX-X2	166	500	110	76	390	1 x 22	25	4,6	4,4
SNA-02-C51-YXX-X2	333	500	110	243	390	2 x 22	41	6,7	6,4
SNA-03-C51-YXX-X2	500	500	110	410	390	3 x 22	58	7	6,7

Recess for installation cabinet in the wall must be about 15-20 mm larger in each direction than the size of the cabinet.

* Scattering of thermal energy is set by calculation according IEC 890+A1 for: cabinet by its back to the wall, without fan openings, without horizontal bulkhead, warming up to 20 K in 3/4 height of the cover.

Power wall-mounted cabinet SNA

Description, purpose of use

- IP 30 / IK 06
- Cabinet hangs directly on the wall or can be installed in a prepared recess in the wall.
- Cabinet is designed for individual assembly or with cabinet RNA.
- Multigate (cable openings) on the top, bottom and both side panels of the cabinet allow joining the cabinet into the larger sets with other cabinets of this series including an data cabinets RNA type.
- Cabinet construction:
 - welded frame from 1 mm thick sheet steel
 - steel door of 1 mm thickness
- The frame of the cabinet and all the removable parts (side and rear covers, doors...) are bonded with patch cables that have to be properly fixed and inserted into connectors throughout the period of use of the cabinet.
- There is one M8 screw placed on the bottom part of the cabinet to connect the bonding.
- Cable openings covered with breakout-type blanking panels are placed in the top and the bottom of the cabinets, as well as on the sides.
- Maximum permissible load – cabinet: 20 kg; door: 2 kg.

Operating conditions

- Operating environment:
 - houses, private residences
 - cabinets are not intended for outdoor installation or installation in environments which could adversely affect the functionality of the cabinet and the equipment installed in it (such as an environment where there is a danger of explosions or a damp or humid environment)
- Must be protected against:
 - physical damage
 - improper handling
 - other uses than the one it was intended for
- Improper handling means primarily:
 - overloading (exceeding the maximum recommended loading capacity)
 - installing equipment which could adversely affect the operation and functionality of the cabinet or other installed devices
 - interference with the construction or design of the cabinet.

Installation of the cabinet

- This type of cabinet hangs directly on the wall, held in place by screws, anchors and washers.
- Can be also installed in a prepared recess in a wall using standard construction methods.
- To ensure the maximum recommended loading capacity, it is necessary to fix the cabinet securely to a wall of corresponding capacity (brick, concrete or similar) and to install all equipment inside in such a way as to evenly spread out the weight of the equipment.

Environmental protection

- All parts are made of recyclable materials and after decommissioning the cabinet, it must be disposed of according to relevant regulations.

Certificate and conformity

- This product fully meets the standards of ČSN EN 62208 ed. 2 (357040), (EN 62208:2011), (idt IEC 62208:2011).



Accessories – RNA, SNA

Accessories for RNA and SNA cabinets



RAY-NF-X03-X1

RAY-NF-X0X-X1

Assembly kit and cover frame for installation into the wall.

Type	Height A (mm)	Height B (mm)
RAY-NF-X01-X1	133	216
RAY-NF-X02-X1	300	383
RAY-NF-X03-X1	466	550
RAY-NF-X04-X1	633	716
RAY-NF-X05-X1	800	883
RAY-NF-X06-X1	966	1050



RAY-NO-X20-X1

RAY-NO-X20-X1

Cover for the assembly set RAY-NO-X0x-X1, 30 mm depth, for RNA/SNA. Covers top / bottom hole behind the cabinet when using RAY-NO-X0x-X1.

RAY-NZ-X04-X1

Top cover for RNA/SNA



RAY-NP-X01-X1

RAY-NP-X01-X1

Prepares the breakout-type cable entries of the cabinet for mounting the protection pipes and ensures high IP protection.



RAY-NP-X02-X1

RAY-NP-X0x-X1

Cover of the entry for the protection pipes for RNA/SNA. Protects cabling against damage. Height 166 mm.

Type	Depth (mm)
RAY-NP-X02-X1	110
RAY-NP-X03-X1	140

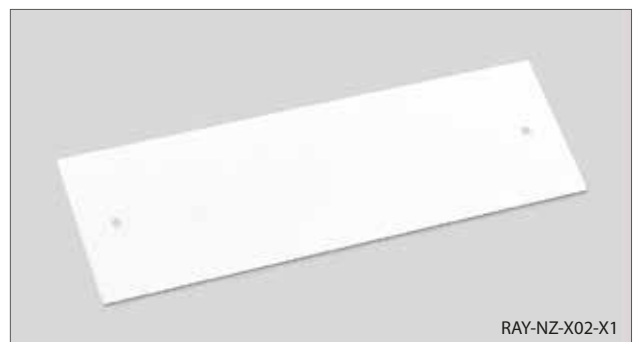


RAY-NO-X02-X1

RAY-NO-X0x-X1

Assembly set for mounting on the wall, 30 mm depth, for RNA/SNA. Allows cabling behind the cabinet installed on / into the wall.

Type	Height (mm)
RAY-NO-X01-X1	166
RAY-NO-X02-X1	333
RAY-NO-X03-X1	500



RAY-NZ-X02-X1

RAY-NZ-X0x-X1

Side cover for RNA/SNA. Eliminates accidentally breaking of side cable entries when mounted on the wall.

Type	Height (mm)
RAY-NZ-X01-X1	166
RAY-NZ-X02-X1	333
RAY-NZ-X03-X1	500



Accessories

Accessories – Overview



Active Cooling

Fan units, cooling units with static evaporator

163



Cable Organization Systems

Horizontal cable management system

172

Separation frame

175

Vertical cable management system

176

Výklopný rám

178

Cable management rings

179



Other Accessories

Fibre optic

182

Shelves

185

Cable management rings

186

Vertical rails

187

Bases, filters

188

Castors, Feet, Stabilizers

189

Blanking Panels, Cable Entry Panels, Frames

190

Cable reserve holder

193

Other accessories

193

Power distribution 230V – přehled

194

Power distribution 230V

195

Earthing

199

10" accessories

200

Locks

201

TRITÓN® locking system

202

Door Hinges

203



Active Cooling

Active Cooling

Fan units, air conditioning units with static evaporator

Standard fan units



RAB-CH-X04-X3

RAB-CH-Xxx-X3, RAC-CH-Xxx-X3

These fan units are made especially for free-standing cabinets. They are installed as required into the base, top cover or door of the cabinet (permeability 350 x 420 mm). A fan unit for free-standing cabinets – it is installed into the top cover from outside of the cabinet, into the bottom from inside of the cabinet. It is necessary to use the installation frame of the bottom fan unit when installing into the base of the cabinet – RAX-CH-XXX-X1 which is mounted using a two-sided gluing tape. We recommend to use a plinth under the cabinet to intake an air. Extension of temperatures adjustment: bimetallic thermostatt. Specified voltage(V/Hz): 230/50-60.

Ventilation unit for free-standing cabinets

Product code	Input (W)	Number of ventilators	Noise dB
RAX-CH-X03-X3	46	2	57,8
RAX-CH-X04-X3	92	4	59,9
RAX-CH-X05-X3	138	6	61,4



RAB-CH-X01-A1

RAB-CH-X01-A1, RAC-CH-X01-A1

19" horizontal fan unit, 2 fans, 2U, 220 V / 46 W, a thermostat, noise 57,8 dB.

Supply

- Screw M6 x 10 4x
- Plastic washer 4x
- Captive nut M6 4x



RAC-CH-X25-X1

RAB-CH-Xxx-X1, RAC-CH-Xxx-X1

19" ventilation unit for wall-mounted cabinets RUA, RBA-...-A6. Extension of temperatures adjustment: bimetallic thermostatt Specified voltage(V/Hz): 230/50-60.

Supply

- Screw M6 x 10 4x
- Plastic washer 4x
- Captive nut M6 4x

Ventilation unit for wall-mounted cabinets

Product code	Input (W)	Number of ventilators	Noise dB
RAX-CH-X24-X1	23	1	55,1
RAX-CH-X25-X1	46	2	57,8
RAX-CH-X26-X1	69	3	59



RAB-CH-X21-A1

RAB-CH-Xxx-A1, RAC-CH-Xxx-A1

19" horizontal fan unit, 4U, 220 V, a thermostat.

Supply

- Screw M6 x 10 4x
- Plastic washer 4x
- Captive nut M6 4x

Ventilation unit for wall-mounted cabinets

Product code	Input (W)	Number of ventilators	Noise dB
RAX-CH-X20-X1	23	1	55,1
RAX-CH-X21-X1	46	2	57,8
RAX-CH-X16-X1	69	3	59



RAB-CH-X02-A1, RAC-CH-X02-A1
 19" horizontal fan unit, 4 fans, 2U, 220 V / 92 W, a thermostat, noise 59,9 dB.

Supply

- Screw M6 x 10 4x
- Plastic washer 4x
- Captive nut M6 4x



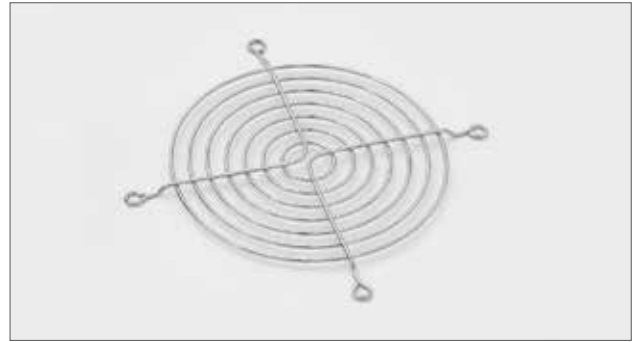
RAX-CH-X07-X9
 Set for mounting fan in RUA or RBA switchboard type A6 - 230 V, 50 Hz, 0.14 A, 23 W 160 m³ / h
 The set allows the connection and control of up to 3 fans (only one is included).
 It is possible to connect the external thermostat RAX-CH-X01-X9 via the cable RAX-CH-X04-X9 (optional accessory - not included). Installation must be performed by an authorized person!



RAX-CH-X01-X9
 Thermostat – adjustable switching temperature range from 0 °C up to +60 °C.



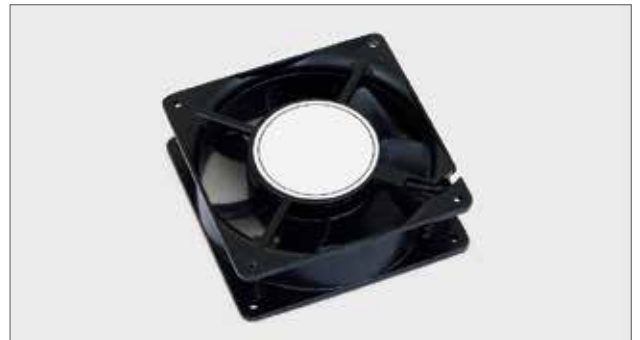
RAX-CH-X04-X9
 Cable 1,25m long to connect thermostat RAX-CH-X01-X9 with set RAX-CH-X07-X9 including connectors.



RAX-CH-X01-X9
 Metal frame 120 x 120 mm without a filter.



RAX-CH-X02-X9
 Plastic frame 120 x 120 mm with a filter.



RAX-CH-X06-X9
 Fan – 230 V / 23 W, 50 Hz / 0.14 A, 160 m³/h, 120 x 120 mm.



RAB-CH-XXX-X1, RAC-CH-XXX-X1
 Bottom fixing frame for fan unit.

The fan units are designed for Triton cabinets only.

Active cooling

RAC-DV-Axx-X1, RAC-DV-Axx-X1

In our selection we include a special sheet-metal door with a preparation for the installation of the RAX-CH-X0x-X3 ventilation units (two, four or six fans in the ventilating unit) designated for the most of the TRITON free standing cabinets. Each ventilation unit has its own separate thermostat which enables a better regulation of the excess heat dissipation.

Assembly of the ventilating units to the door is similar to the installation into a ceiling or into a base of the cabinet. The door is equipped with an opening in which you can fit the ventilating unit into and then fasten it simply in four points. Moreover, the unit is secured by four self-tapping screws which strengthen the mounting and the door gains the required toughness this way.

The number of the assembly holes is given by the door's height. Therefore, one for 15U and 18U, two for 22U and 27U and three assembly holes for 32U, 37U, 42U and 45U. You can order the door with the assembly holes for fan units by entering letter I for the left and J for the right door on the sixth position of the order code, e.g. RMA-15-I66-CAX-A1.

The active door provides a cool air supply to the device. For the maximum ventilation effectivity it is necessary to fit the rear part of the cabinet with the perforated door, e.g. RMA-15-I66-CAX-A1-MAA.



RAC-DV-A07-X1

Type	Unit	A (mm)	B (mm)	Openings*
RAX-DV-A01-X1	15	675	600	1
RAX-DV-A02-X1	18	807	600	1
RAX-DV-A03-X1	22	985	600	2
RAX-DV-A04-X1	27	1205	600	2
RAX-DV-A05-X1	32	1430	600	3
RAX-DV-A06-X1	37	1655	600	3
RAX-DV-A07-X1	42	1875	600	3
RAX-DV-A08-X1	45	2010	600	3
RAX-DV-A09-X1	15	675	800	1
RAX-DV-A10-X1	18	807	800	1
RAX-DV-A11-X1	22	985	800	2
RAX-DV-A12-X1	27	1205	800	2
RAX-DV-A13-X1	32	1430	800	3
RAX-DV-A14-X1	37	1655	800	3
RAX-DV-A15-X1	42	1875	800	3
RAX-DV-A16-X1	45	2010	800	3

* Openings for a fan

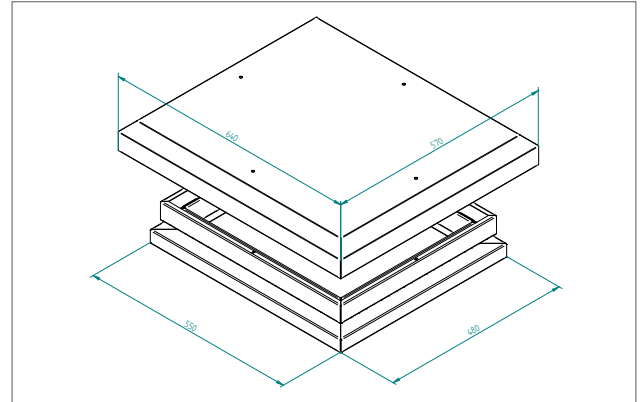
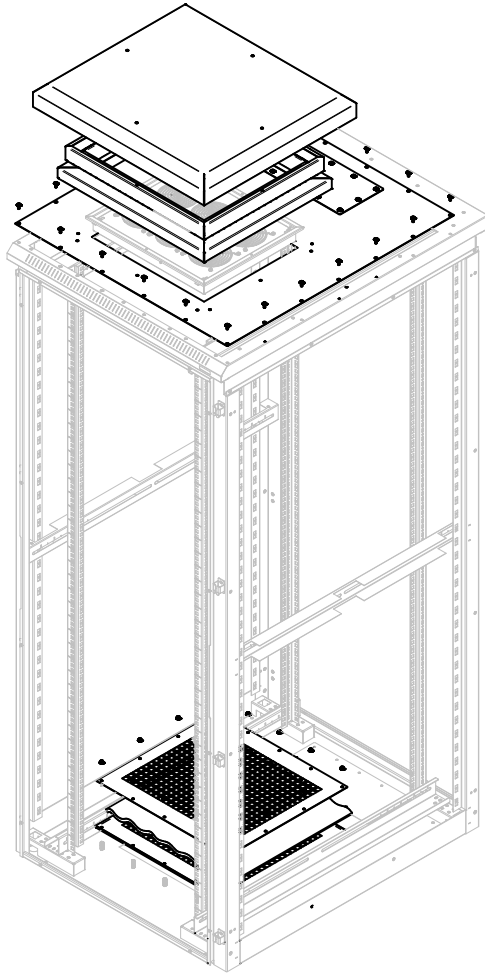


RAC-ZP-X21-X1

RAB-ZP-X21-X1, RAC-ZP-X21-X1

Blanking panel for doors with ventilation units (optional accessories - not included)

IP5x fan unit cover

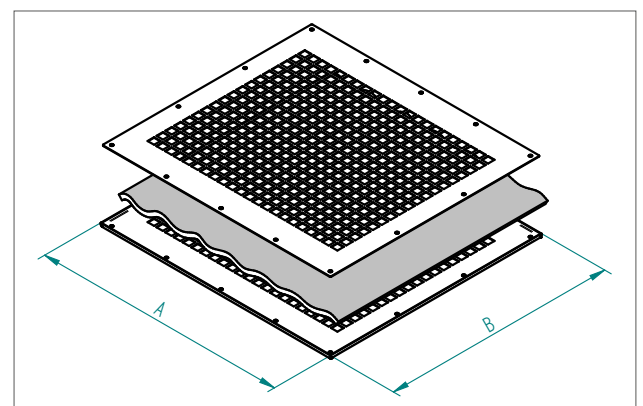
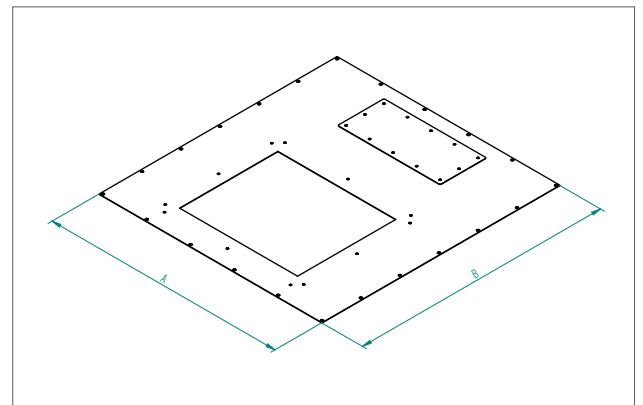


■ RAB-RV-V66-X1, RAC-RV-V66-X1 IP5x fan unit cover

The unique cover of the standard fan unit allows its use even on cabinets with high IP protection (RIE, RPE, RDE). The cover prevents water and dust from entering the cabinet (dust when the fan is running). It is necessary to combine it with the appropriate Adapter for mounting the fan unit according to the cabinet width and depth and the top roof fan unit with the capacity according to the needs of the installed equipment.

■ RAC-RV-Xxy-XV, RAB-RV-Xxy-XV Adapter for fan unit installation

The adapter is used for mounting a standard top roof Triton fan unit on racks with high IP protection. The IP5x fan unit cover is then mounted on this adapter. Along with the adapter, a filter is supplied to the base of the cabinet for clean air access. When using this kit we recommend installing the cabinet on the base.



Type	Cabinet with and depth (mm)
RAx-RV-X66-XV	600 x 600
RAx-RV-X68-XV	600 x 800
RAx-RV-X61-XV	600 x 1000
RAx-RV-X62-XV	600 x 1200

Type	Cabinet with and depth (mm)
RAx-RV-X88-XV	800 x 800
RAx-RV-X81-XV	800 x 1000
RAx-RV-X82-XV	800 x 1200

Active cooling – Air conditioners

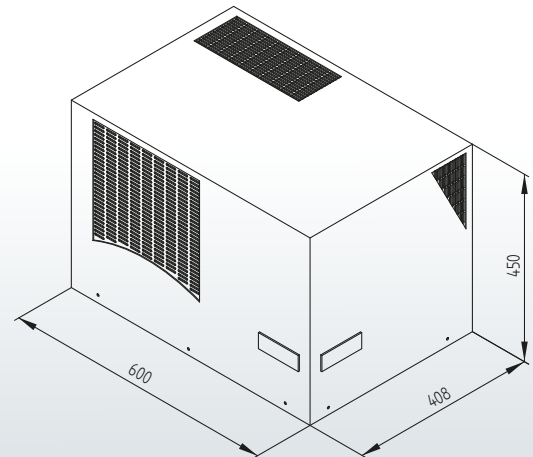
For active temperature management we offer high quality STULZ- Cosmotec A/C units under the Triton brand. These compact A/C ETE units are designed to cool equipment in every single data cabinet (RDE, RIE and RPE cabinets with IP54 protection). These A/C units are intended for both industrial and office environments thanks to their RPM management of the cooling fan in the compressor circuit. The A/C unit adjusts the RPM speed of the fan, which is a major cause of a noise. The A/C RPM adjustment is based on the current use of the cooling output inside the cabinet. It has a positive affect on the noise reduction of the unit when the maximum output capacity is not needed.

The A/C unit has two separate circuits for air circulation:

1. The inside circuit, which cools all installed equipment and enters the A/C unit, where the hot air is transferred to a cooling medium.
2. The cooling circuit controlled by the compressor, which is cooled by an air stream that takes the excess heat away

Thanks to its arrangement, the air from outside is not mixed with the air from the inside of the cabinet. So the humidity inside the cabinet is not affected. Excessive humidity can condense on the equipment or can freeze inside the cooling unit which can lead to damage. It is very important to set up the A/C unit correctly and th consider the surrounding temperature and humidity. It is also possible to equip our data cabinet with a door sensor, which automatically shuts the compressor off when the door is opened. The A/C unit may be controlled by an electrical unit, which includes thermostats in two different parts of the cover. There are several options for installing such A/C units. The A/C unit can draw in the hot air and blow out cold air along the side panels of the cabinet or it can be installed on the front/rear side accodring to the customer's requirements. For the A/C unit to function properly, itis necessary to provide it with sufficient air circulation and an appropriate temperature. The unit has special sensors which monitor the space from surrounding objects. For more information please refer to the manual of each A/C unit.

RAC-KL-ETE-X1



■ RAB-KL-ETE-XX, RAC-KL-ETE-XX

Roof cooling unit ETE. Specially designed for the installation to the top of the cabinet.

Cooling units 800 mm wide are possible to mount on cabinets 800 mm wide only.

Cooling units 600 mm wide are possible to mount on cabinets 600 mm and 800 mm wide.

Roof cooling unit ETE										
Part number	Coolant type	Cooling capacity (W)	External dimensions	Intended for cabinets wide	Temperature range set up	Power supply (V/Hz)	Air flow (m ³ /h)	Electric input (W)	Noise level (dB)	Weight (kg)
RAx-KL-ETE-X1	R134a	1400	450 x 600 x 408	600 and 800	electrical thermostat	230/50-60	575	950	58	48
RAx-KL-ETE-X2	R134a	2000	450 x 600 x 408	600 and 800	electrical thermostat	230/50-60	860	1200	62	51,5
RAx-KL-ETE-X3	R134a	2700	485 x 800 x 465	only 800	electrical thermostat	230/50-60	860	1580	77	74,5
RAx-KL-ETE-X4	R134a	3800	485 x 800 x 465	only 800	electrical thermostat	230/50-60	1450	2000	77	76,5

Operating conditions:

The ETE A/C unit is designed to work in a horizontal position as a roof unit for free-standing cabinets. It is also necessary to transport the unit in a horizontal position and install it accordingly. We offer adapters for installation on RIE, RDE and RPE data cabinets, which seal the A/C unit at the cabinet body and which also would direct the cold air flow inside the cabinet. The units contain a drip tray, which collects condensation from the cooled space. Should there be an increase in condensation (which can happen with higher air humidity, lowered temperature inside the cabinet, the door left open, etc.) it is necessary to install a safety condensate draining pipe and follow the mounting instructions described in the attached manual.

Operating environment:

Min. ambient temperature in the working condition: +20 °C
 Max. ambient temperature in the working condition: +50 °C
 Adjustable temperature range: 25 – 45 °C

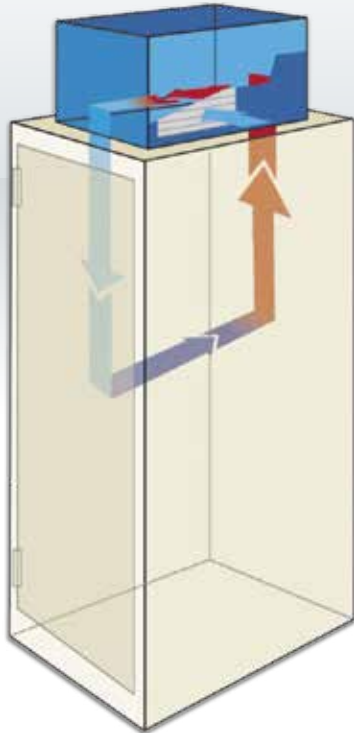
Recommendation:

With regard to the demand of a maximum life-time of the unit's equipment, those are the recommended parameters of the inner environment of the cabinet.

Temperature limits: from +10 till + 40 °C

Relative humidity: 30 – 90 %

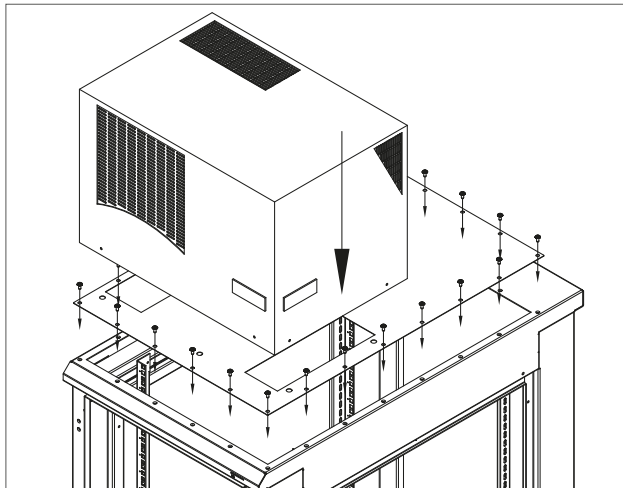
Surface temperature of the inner equipment of the cabinet should not fall below the condensation temperature.



The A/C unit can be installed on cabinets in such a way that it reaches all needs of a cold air demanded by used equipment.

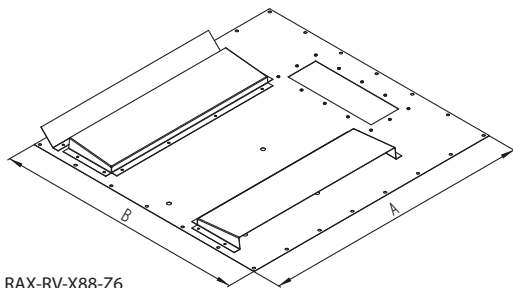
There is an opening located at the top of the RIE, RDE or RPE cabinet, which requires an installation of an adapter. An appropriate adapter can set the right direction of the A/C unit and it also sets the stream of the hot/cold air along the sides or along the front/rear sides of the cabinet.

Adapter for the A/C units

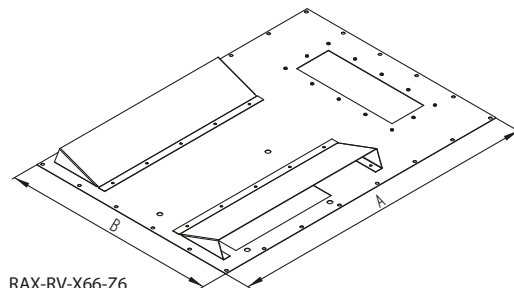


A/C installation

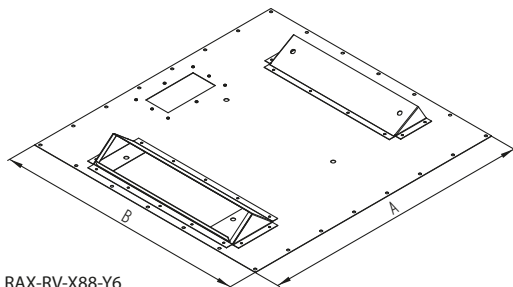
In order to utilise the maximum potential of A/C units with cooling air directed properly according to all equipment needs, we supply installation adapters for RIE, RDE and RPE cabinets. This is a metallic panel which is screwed to the large-sized opening at the top of the cabinet where the installation of A/C is required. Adapters are symmetric which means that rotating is simple. All sizes of adapters are shown in the table below. For easy access to the controlling panel it is possible to install it in two positions with simply plugging into the connector (see installation manual).



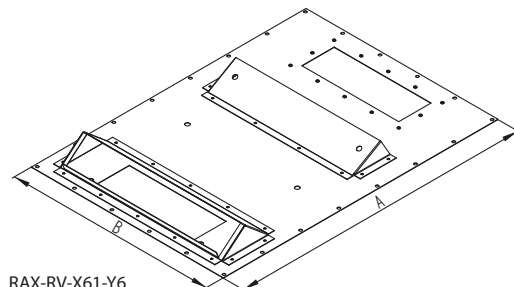
RAX-RV-X88-Z6



RAX-RV-X66-Z6



RAX-RV-X88-Y6



RAX-RV-X61-Y6

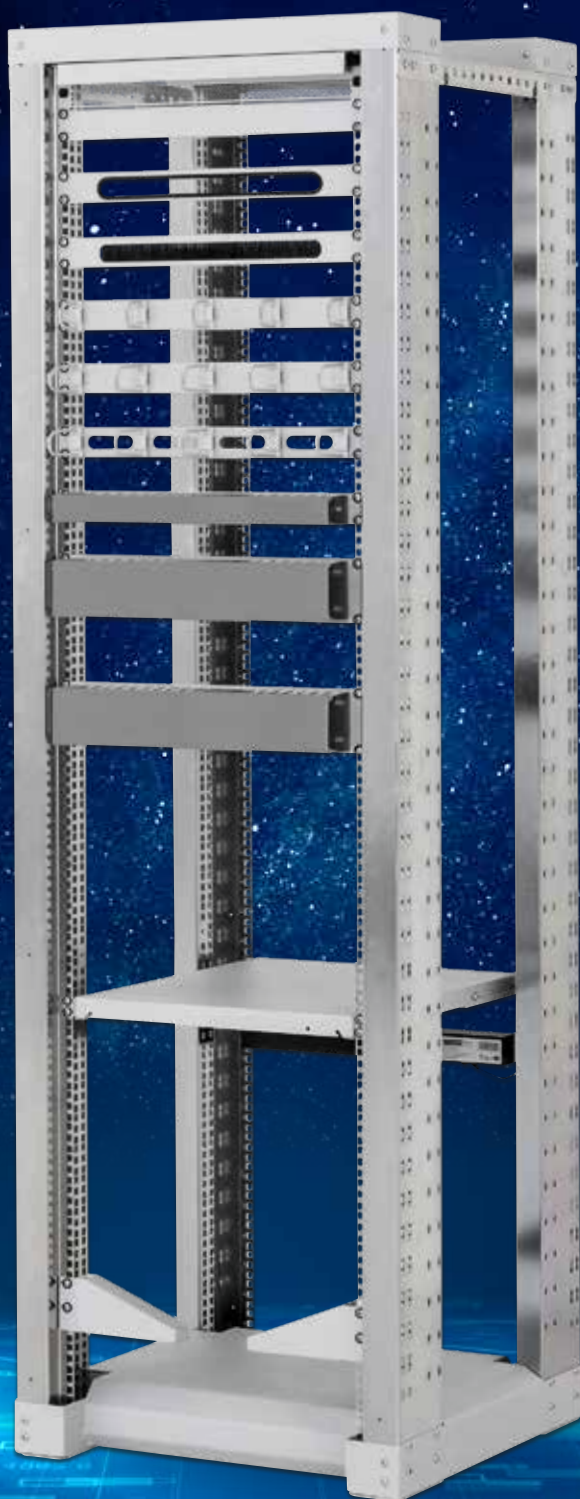
Types and dimensions of A/C adapters

Type		A (mm) cabinet depths	B (mm) cabinet width	A/C unit type	Direction of A/C installation	Assem- bly set
RAC-RV-X66-Z6	A/C unit adapter X1, X2 into the cabinet width 600 x 600	600	600	X1, X2	into the cabinet width	A
RAC-RV-X68-Y6	A/C unit adapter X1, X2 into the cabinet depth 800 x 600	800	600	X1, X2	into the cabinet width	A
RAC-RV-X68-Z6	A/C unit adapter X1, X2 into the cabinet width 800 x 600	800	600	X1, X2	into the cabinet width	A
RAC-RV-X61-Y6	A/C unit adapter X1, X2 into the cabinet depth 1000 x 600	1000, 1200	600	X1, X2	into the cabinet width	C
RAC-RV-X61-Z6	A/C unit adapter X1, X2 into the cabinet width 1000 x 600	1000, 1200	600	X1, X2	into the cabinet width	C
RAC-RV-X61-Y8	A/C unit adapter X3, X4 into the cabinet depth 1000 x 600	1000, 1200	600	X3, X4	into the cabinet width	C
RAC-RV-X88-Y6	A/C unit adapter X1, X2 into the cabinet depth 800 x 800	800	800	X1, X2	into the cabinet width	B
RAC-RV-X88-Z6	A/C unit adapter X1, X2 into the cabinet width 800 x 800	800	800	X1, X2	into the cabinet width	B
RAC-RV-X88-Z8	A/C unit adapter X3, X4 into the cabinet width 800 x 800	800	800	X3, X4	into the cabinet width	B
RAC-RV-X81-Y6	A/C unit adapter X1, X2 into the cabinet depth 1000 x 800	1000, 1200	800	X1, X2	into the cabinet width	D
RAC-RV-X81-Z6	A/C unit adapter X1, X2 into the cabinet width 1000 x 800	1000, 1200	800	X1, X2	into the cabinet width	D
RAC-RV-X81-Y8	A/C unit adapter X3, X4 into the cabinet depth 1000 x 800	1000, 1200	800	X3, X4	into the cabinet width	D
RAC-RV-X81-Z8	A/C unit adapter X3, X4 into the cabinet width 1000 x 800	1000, 1200	800	X3, X4	into the cabinet width	D

Supply:

A = 24 pcs M5x12; 24 pcs rubber sealing
B = 30 pcs M5x12; 30 pcs rubber sealing

C = 30 pcs M5x12; 30 pcs rubber sealing
D = 38 pcs M5x12; 38 pcs rubber sealing



Cable Management

Complex organization system for optical and metal data cables

Horizontal cable management system



RAB-VP-X11-A1

RAB-VP-X11-A1, RAC-VP-X11-A1

19" 1U panel with 6x big cable management rings, suitable for lighter load.

Supply

- Screw M6 x 10 4x
- Plastic washer 4x
- Captive nut M6 4x



RAB-VP-X13-A1

RAB-VP-X13-A1, RAC-VP-X13-A1

19" 1U panel with 6x small cable management rings, suitable for lighter load.

Supply

- Screw M6 x 10 4x
- Plastic washer 4x
- Captive nut M6 4x



RAB-VP-X16-A1

RAB-VP-X16-A1, RAC-VP-X16-A1

19" cable management panel 1U, 6 x big click-in ring, oval holes, suitable for lighter load.

Supply

- Screw M6 x 10 4x
- Plastic washer 4x
- Captive nut M6 4x



RAB-VP-X21-A1

RAB-VP-X21-A1, RAC-VP-X21-A1

19" 1U panel with 6x cable management rings 70 x 40 mm, suitable for heavier load.

Supply

- Screw M6 x 10 4x
- Plastic washer 4x
- Captive nut M6 4x



RAB-VP-X22-A1

RAB-VP-X22-A1, RAC-VP-X22-A1

19" 2U panel with 6x cable management rings 70 x 85 mm, suitable for heavier load.

Supply

- Screw M6 x 10 4x
- Plastic washer 4x
- Captive nut M6 4x



RAB-VP-X23-A1

RAB-VP-X23-A1, RAC-VP-X23-A1

19" cable management panel 1U, 6 x organizer 70 x 27 mm with cable bend protection.

Supply

- Screw M6 x 10 4x
- Plastic washer 4x
- Captive nut M6 4x



RAB-VP-X02-A1

RAB-VP-X02-A1, RAC-VP-X02-A1

19" 1U panel with cable trunking, one side plastic rail.

Supply

Screw M6 x 10	4x
Plastic washer	4x
Captive nut M6	4x



RAB-VP-X03-A1

RAB-VP-X03-A1, RAC-VP-X03-A1

19" 1U panel with cable trunking, two-sided plastic rail.

Supply

Screw M6 x 10	4x
Plastic washer	4x
Captive nut M6	4x



RAB-VP-X04-A1

RAB-VP-X04-A1, RAC-VP-X04-A1

19" 2U panel with cable trunking, one side plastic rail.

Supply

Screw M6 x 10	4x
Plastic washer	4x
Captive nut M6	4x



RAB-VP-X05-A1

RAB-VP-X05-A1, RAC-VP-X05-A1

19" 2U panel with cable trunking, two-sided plastic rail.

Supply

Screw M6 x 10	4x
Plastic washer	4x
Captive nut M6	4x



RAB-VP-X30-A1

RAB-VP-X30-A1

19" plastic cable management panel 1U, RAL 9005.

Supply

Screw M6 x 10	4x
Plastic washer	4x
Captive nut M6	4x



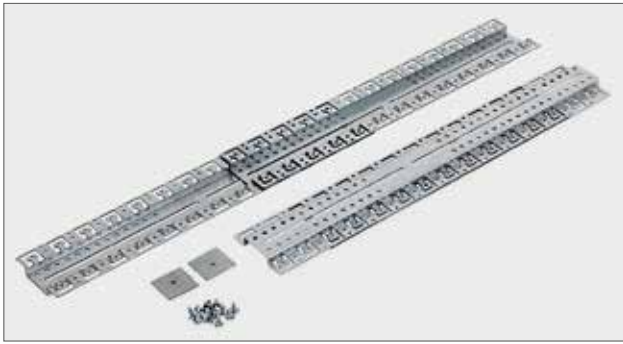
RAB-VP-X31-A1

RAB-VP-X31-A1

19" plastic cable management panel 2U, RAL 9005.

Supply

Screw M6 x 10	4x
Plastic washer	4x
Captive nut M6	4x

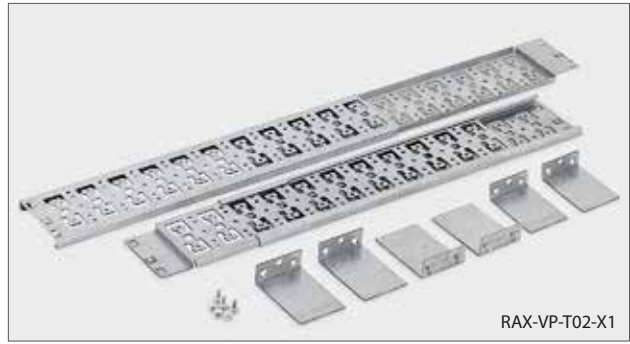


RAX-VP-T01-X1

Telescopic cable management bar 600-1100 mm.

Supply

- Screw M6 x 10 4x
- Plastic washer 4x
- Captive nut M6 4x



RAX-VP-T02-X1

RAX-VP-T02-X1

19" telescopic cable management bar for cabinet of depth 600-900 mm.

RAX-VP-T03-X1

19" telescopic cable management bar for cabinet of depth 800-1200 mm.



RAX-VP-X71-X1

RAX-VP-X7x-X1

Installation cable management bar for cabinet width 800 mm.

Type	Cabinet depth (mm)
RAX-VP-X70-X1	600
RAX-VP-X71-X1	800
RAX-VP-X72-X1	900
RAX-VP-X73-X1	1000
RAX-VP-X74-X1	1100
RAX-VP-X75-X1	1200



RAC-VP-X51-X1

RAB-VP-X5x-X1, RAC-VP-X5x-X1

Cable management rail for RMA, RZA skeleton.

Type	Depth (mm)
RAX-VP-X50-X1	600
RAX-VP-X51-X1	800
RAX-VP-X52-X1	900
RAX-VP-X53-X1	1000
RAX-VP-X54-X1	1100
RAX-VP-X55-X1	1200



RAC-VP-X59-A1

RAB-VP-X59-A1, RAC-VP-X59-A1

19" cable management rail.

RAB-VP-D5x-X1, RAC-VP-D5x-X1

Cable management rail for RDA, RTA, RYA skeleton.

Type	Depth (mm)
RAX-VP-D50-X1	600
RAX-VP-D51-X1	800
RAX-VP-D52-X1	900
RAX-VP-D53-X1	1000
RAX-VP-D54-X1	1100
RAX-VP-D55-X1	1200

Separation frame



■ Separation frame without openings

Especially for 800 mm wide cabinets is important to direct cooling air efficiently through the door to the installed equipment. The flow between side panels and the vertical rails prevents separation frame. Mounted between the vertical rails and the frame of cabinet secure perfectly this area thanks used brush seal. Frame is moving with vertical, which still can be set in any depth of cabinet, so usage of frame do not restrict the user in selecting equipment. Onto frame is possible to install up to two single row cable managements.

■ Separation frame with openings

Version with additional 19" positions increases the cabinet installation capacity by 6 positions 1U or 2U depend model and allows passage of cabling through the separation frame to the back of cabinet. As part of delivery the easy to install blanking panels with plastic locks are provided.

■ Delivery and installation

Set of separation frame contains all the necessary components and assembly materials. Individual parts of the frame are mounted on the outside of the vertical rails using thread forming Tap-Tite screws.

When selecting air separation frame must be taken into account the cabinet model, height, width and load.



SOLID METAL AIR SEPARATION FRAME					
Cabinet width 600mm					
Cabinet height (units)	RTA		RYA		RDA
	1200kg	1500kg	1200kg	1500kg	1800kg
37	RAC-DT-T37-E6	RAC-DT-T37-X6	RAC-DT-Y37-E6	RAC-DT-Y37-X6	RAC-DT-R37-X6
42	RAC-DT-T42-E6	RAC-DT-T42-X6	RAC-DT-Y42-E6	RAC-DT-Y42-X6	RAC-DT-R42-X6
45	RAC-DT-T45-E6	RAC-DT-T45-X6	RAC-DT-Y45-E6	RAC-DT-Y45-X6	RAC-DT-R45-X6
47	RAC-DT-T47-E6	RAC-DT-T47-X6	RAC-DT-Y47-E6	RAC-DT-Y47-X6	RAC-DT-R47-X6
Cabinet width 800mm					
Cabinet height (units)	RTA		RYA		RDA
	1200kg	1500kg	1200kg	1500kg	1800kg
37	RAC-DT-T37-E8	RAC-DT-T37-X8	RAC-DT-Y37-E8	RAC-DT-Y37-X8	RAC-DT-R37-X8
42	RAC-DT-T42-E8	RAC-DT-T42-X8	RAC-DT-Y42-E8	RAC-DT-Y42-X8	RAC-DT-R42-X8
45	RAC-DT-T45-E8	RAC-DT-T45-X8	RAC-DT-Y45-E8	RAC-DT-Y45-X8	RAC-DT-R45-X8
47	RAC-DT-T47-E8	RAC-DT-T47-X8	RAC-DT-Y47-E8	RAC-DT-Y47-X8	RAC-DT-R47-X8

AIR SEPARATION FRAME WITH 6x 1U 19" INSTALLATION POSITIONS					
Cabinet width 800mm					
Cabinet height (units)	RTA		RYA		RDA
	1200kg	1500kg	1200kg	1500kg	1800kg
37	RAC-DT-T37-C8	RAC-DT-T37-A8	RAC-DT-Y37-C8	RAC-DT-Y37-A8	RAC-DT-R37-A8
42	RAC-DT-T42-C8	RAC-DT-T42-A8	RAC-DT-Y42-C8	RAC-DT-Y42-A8	RAC-DT-R42-A8
45	RAC-DT-T45-C8	RAC-DT-T45-A8	RAC-DT-Y45-C8	RAC-DT-Y45-A8	RAC-DT-R45-A8
47	RAC-DT-T47-C8	RAC-DT-T47-A8	RAC-DT-Y47-C8	RAC-DT-Y47-A8	RAC-DT-R47-A8

AIR SEPARATION FRAME WITH 6x 2U 19" INSTALLATION POSITIONS					
Cabinet width 800mm					
Cabinet height (units)	RTA		RYA		RDA
	1200kg	1500kg	1200kg	1500kg	1800kg
37	RAC-DT-T37-G8	RAC-DT-T37-D8	RAC-DT-Y37-G8	RAC-DT-Y37-D8	RAC-DT-R37-D8
42	RAC-DT-T42-G8	RAC-DT-T42-D8	RAC-DT-Y42-G8	RAC-DT-Y42-D8	RAC-DT-R42-D8
45	RAC-DT-T45-G8	RAC-DT-T45-D8	RAC-DT-Y45-G8	RAC-DT-Y45-D8	RAC-DT-R45-D8
47	RAC-DT-T47-G8	RAC-DT-T47-D8	RAC-DT-Y47-G8	RAC-DT-Y47-D8	RAC-DT-R47-D8

Vertical cable management system

For vertical cable management and storage the panels with 75 mm high plastic pins are used. They are mounted on the side of the installation vertical rails and together with them they are infinitely adjustable to the depth of the cabinet. They are available with one or two rows of plastic pins. The double-row panel can be covered with a hinged / removable cover.



RAB-VP-H10-X1
Cable management vertical panel 10U - comb, for cabinets 800 mm width, RAL9005.



RAB-VP-Oxx-X1
Swing, removable cover for cable management vertical panel.



RAB-VP-H42-X1
Cable management vertical panel – double row, RAL9005.

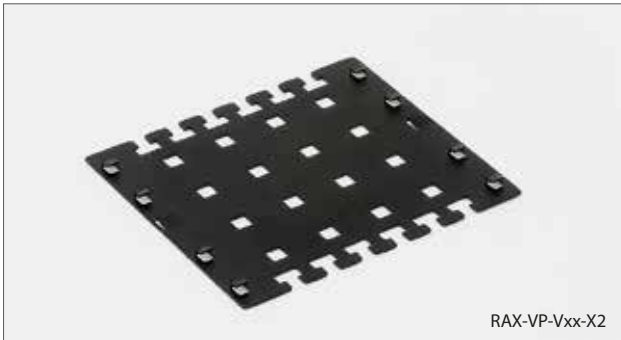
Swing / removable cover	Height (U)
RAB-VP-O10-X1	10
RAB-VP-O15-X1	15
RAB-VP-O18-X1	18
RAB-VP-O22-X1	22
RAB-VP-O27-X1	27
RAB-VP-O32-X1	32
RAB-VP-O37-X1	37
RAB-VP-O42-X1	42
RAB-VP-O45-X1	45
RAB-VP-O47-X1	47



RAB-VP-H42-Y1
Cable management vertical panel – single row, RAL9005.

Double row	Single row	Height (U)
RAB-VP-H10-X1		10
RAB-VP-H15-X1	RAB-VP-H15-Y1	15
RAB-VP-H18-X1	RAB-VP-H18-Y1	18
RAB-VP-H22-X1	RAB-VP-H22-Y1	22
RAB-VP-H27-X1	RAB-VP-H27-Y1	27
RAB-VP-H32-X1	RAB-VP-H32-Y1	32
RAB-VP-H37-X1	RAB-VP-H37-Y1	37
RAB-VP-H42-X1	RAB-VP-H42-Y1	42
RAB-VP-H45-X1	RAB-VP-H45-Y1	45
RAB-VP-H47-X1	RAB-VP-H47-Y1	47





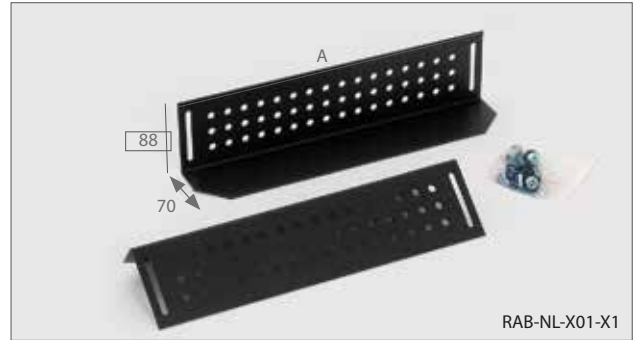
RAX-VP-Vxx-X2

RAB-VP-X12-X1, RAC-VP-X12-X1

Special cable management panel is intended for installation on cabinet's vertical rails and on vertical perforation in the rear section of wall-mounted cabinets.

The easy fixing system consists in hanging on the vertical rail. A contra directional pin prevents an undesirable release.

Width 170 mm, height 150 mm.



RAB-NL-X01-X1

RAB-NL-X0x-X1, RAC-NL-X0x-X1

Pair of mounting angles (pair). Max. load 100kg.

Supply

- Screw M6 x 10 4x
- Plastic washer 4x
- Captive nut M6 4x

Type	A (mm)
RAX-NL-X01-X1	380
RAX-NL-X05-X1	480
RAX-NL-X02-X1	580
RAX-NL-X03-X1	680
RAX-NL-X04-X1	780



RAX-DR-X02-X1

RAX-DR-X01-X1

Shelf holders for middle vertical rail of free-standing cabinets deeper than 800 mm (pair).



RAX-DR-X03-X1

RAX-DR-X03-X1

Holder for middle rail (pair), allows installation of standard 19" equipment.

Supply

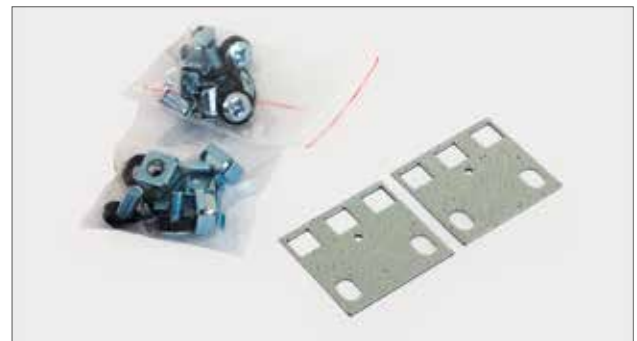
- Screw M6 x 10 4x
- Plastic washer 4x
- Captive nut M6 4x



RAX-DR-X01-X1

RAX-DR-X01-X1

Rear holder of shelves for RBA wall mounted cabinets (pair).



RAX-RV-X01-X2

Adapter 23"/21" and 21"/19" universal for 1U (pair).

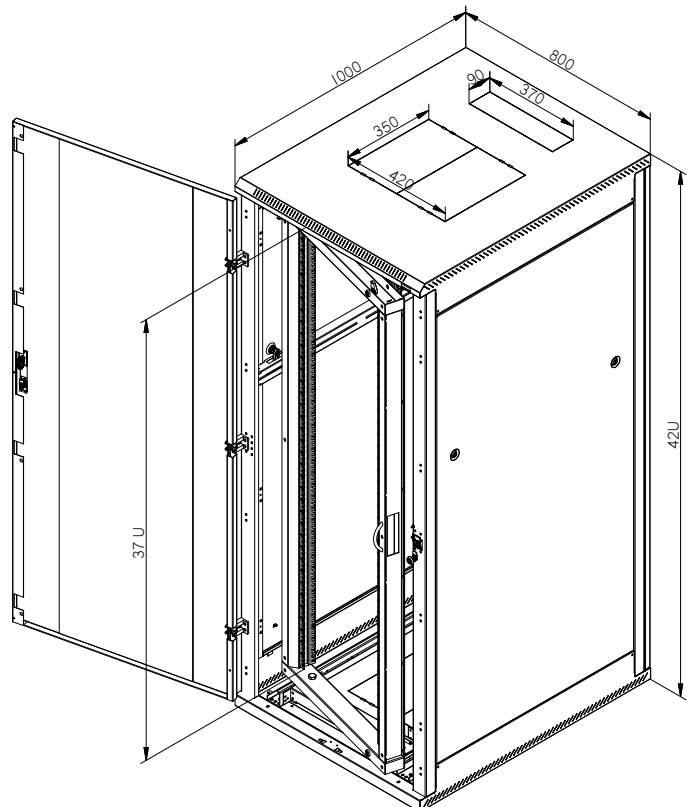
Swing frame

■ All 800mm wide Triton cabinets can be equipped with a swing frame for mounting devices, that require access from the rear. The swing frame reduces the usable height of the cabinet by 5U and can carry up to 150kg. The frame is locked with two locks in the closed position. The distance of the swing frame

from the cabinet door can be infinitely adjusted. The position of the frame inside the cabinet affects the maximum usable depth of the mounted devices. When mounted in optimal position it can be used with 19" device maximally 330mm deep. The swing frame can be installed simultaneously with 19" verticals.



Swing frame	Cabinet height (U)	Usable frame height (U)
RAC-VM-A17-A1	22	17
RAC-VM-A22-A1	27	22
RAC-VM-A27-A1	32	27
RAC-VM-A32-A1	37	32
RAC-VM-A37-A1	42	37
RAC-VM-A40-A1	45	40
RAC-VM-A42-A1	47	42



Cable management rings

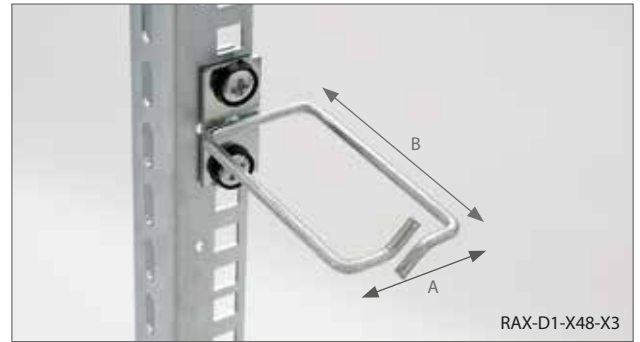


RAX-D1-Xxx-X3

Steel cable management rings.

Supply

- Screw M6 x 10 2x
- Plastic washer 2x
- Captive nut M6 2x



Type D1	A (mm)	B (mm)
RAX-D1-X44-X3	40	40
RAX-D1-X48-X3	40	80
RAX-D1-X88-X3	80	80



RAX-D2-Xxx-X3

Steel cable management rings.

Supply

- Screw M6 x 10 2x
- Plastic washer 2x
- Captive nut M6 2x



Type D2	A (mm)	B (mm)
RAX-D2-X48-X3	40	80
RAX-D2-X88-X3	80	80



RAX-D3-Xxx-X3

Steel cable management rings.

Supply

- Screw M6 x 10 2x
- Plastic washer 2x
- Captive nut M6 2x



Type D3	A (mm)	B (mm)
RAX-D3-X44-X3	40	40
RAX-D3-X48-X3	40	80
RAX-D3-X88-X3	80	80



RAB-MS-X21-X1, RAB-MS-X23-X1

■ **RAB-MS-X21-X1, RAC-MS-X21-X1,
RAB-MS-X23-X1, RAC-MS-X23-X1**

Plastic cable management ring big / small for cable management 60 x 30 mm / 35 x 30 mm.



RAX-VP-Vxx-X2

■ **RAX-VP-Vxx-X2**

Vertical cable management rail for RTA, RYA, RDA, RSX and RSX-F cabinets. Suitable for widths 600 mm and 800 mm.

Type	Height (U)
RAX-VP-V32-X2	32
RAX-VP-V37-X2	37
RAX-VP-V42-X2	42
RAX-VP-V45-X2	45
RAX-VP-V47-X2	47



Other Accessories

Fibre optic



RAB-FO-X67-A1

RAB-FO-X67-A1, RAC-FO-X67-A1

19" sliding FO panel 1U 24x SC-D
(adapters are not included in the supply).



RAB-FO-X68-A1

RAB-FO-X68-A1, RAC-FO-X68-A1

19" sliding FO panel 1U 16x LC-D - square
(adapters are not included in the supply).



RAB-FO-X69-A1

RAB-FO-X69-A1, RAC-FO-X69-A1

19" sliding FO panel 1U 12x SC-D
(adapters are not included in the supply).





RAB-FO-X74-A1

RAB-FO-X74-A1, RAC-FO-X74-A1

19" sliding FO panel 1U 24x SC
(adapters are not included in the supply).



RAB-FO-X75-A1

RAB-FO-X75-A1, RAC-FO-X75-A1

19" sliding FO panel 1U 24x ST
(adapters are not included in the supply).



RAB-FO-X76-A1

RAB-FO-X76-A1, RAC-FO-X76-A1

19" sliding FO panel 1U 24x LC Quad
(adapters are not included in the supply).

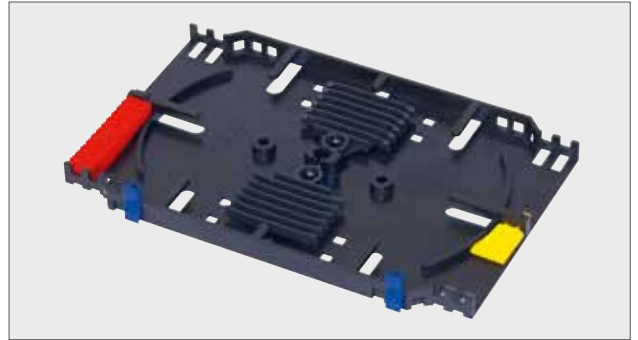




RAB-FO-X77-A1

RAB-FO-X77-A1, RAC-FO-X77-A1

19" sliding FO panel 1U 24x LC-D
(adapters are not included in the supply).



RAX-MS-A27-X1

Splice cassette for up to 12 heat-shrink include hinges and fibre holder.

Supply contains splice holders (2x 6 heat-shrink), fibre holder with installation tool and 2 hinges for cassette stacking.



RAB-FO-X78-A1

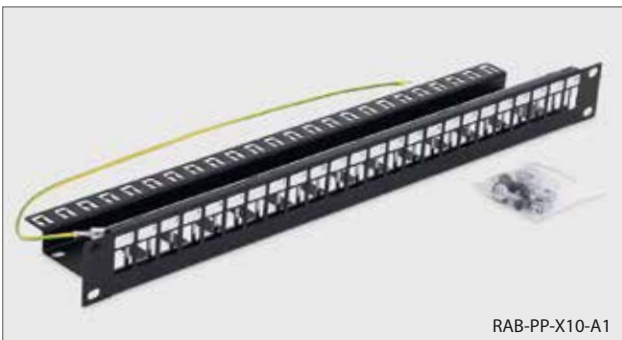
RAB-FO-X78-A1, RAC-FO-X78-A1

19" sliding FO panel 1U 12x LC Quad
(adapters are not included in the supply).



RAX-MS-A26-X1

Splice cassette RAX-MS-A27-X1 top cover.



RAB-PP-X10-A1

RAB-PP-X10-A1, RAC-PP-X10-A1

19" modular patch panel for max. 24 Keystone modules.

Supply

Screw M6 x 10	4x
Plastic washer	4x
Captive nut M6	4x



RAC-FO-A07-X1

RAB-FO-A07-X1, RAC-FO-A07-X1

Wall-mounted fibre optic box 24 x ST, 24 x SC single, 16 x SC duplex.

Supply

Screw 4 x 30	4x
Washer 4,2	4x
Wall plug 8	4x



RAB-UP-X40-A1

RAB-UP-X40-A1, RAC-UP-X40-A1

19" sliding / rotary shelf for keyboard and mouse.

Supply

- Screw M6 x 10 8x
- Plastic washer 8x
- Captive nut M6 8x



RAC-UP-X29-A1

RAB-UP-X29-A1, RAC-UP-X29-A1

19" Sliding lockable shelf 2U for keyboard and mouse.

Supply

- Screw M6 x 10 8x
- Plastic washer 8x
- Captive nut M6 8x



Ilustrační foto



RAC-UP-X31-A1



RAB-UP-Xxx-A1, RAC-UP-Xxx-A1

19" sliding shelf - height 45 mm.

Type	Depth (mm)	Max. loading capacity (kg)
RAx-UP-X30-A1	350	30
RAx-UP-X31-A1	450	30
RAx-UP-X20-A1	550	45
RAx-UP-X19-A1	650	45

Supply

- Screw M6 x 10 8x
- Plastic washer 8x
- Captive nut M6 8x



RAB-UP-X09-A1

RAB-UP-X09-A1, RAC-UP-X09-A1

19" Drop-down shelf for keyboard, maximum loading capacity 15 kg.

Supply

- Screw M6 x 10 4x
- Plastic washer 4x
- Captive nut M6 4x



RAB-UP-550-A1



RAC-UP-450-A4

RAB-UP-xxx-A1, RAC-UP-xxx-A1

Shelf with perforation 1U.

Type	Depth (mm)	Max. loading capacity(kg)
RAX-UP-150-A1	150	15
RAX-UP-250-A1	250	20
RAX-UP-350-A1	350	40
RAX-UP-450-A1	450	40
RAX-UP-550-A1	550	40
RAX-UP-650-A1	650	40
RAX-UP-750-A1	750	40
RAX-UP-850-A1	850	40
RAX-UP-950-A1	950	40

Supply

- Screw M6 x 10 (dimensions 150 and 250 mm – 4x) 8x
- Plastic washer (dimensions 150 and 250 mm – 4x) 8x
- Captive nut M6 (dimensions 150 and 250 mm – 4x) 8x
- Screw M5 x 12 Thorx (dimensions only 350 mm and larger) .. 4x
- Back holder (dimensions only 350 mm and larger) 2x

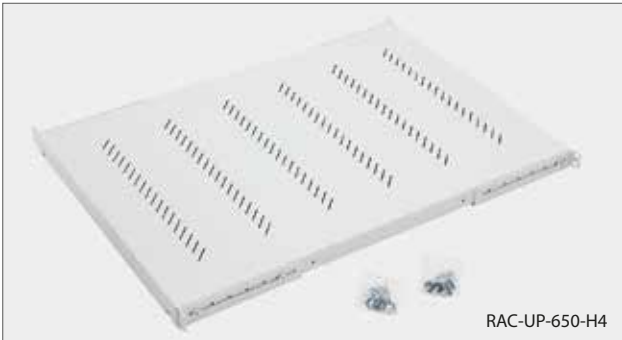
RAB-UP-xxx-A4, RAC-UP-xxx-A4

19" Shelf with perforation 1U. Patent: PUV 2012-25430.

Type	Depth (mm)	Max. loading capacity(kg)
RAX-UP-150-A4	150	15
RAX-UP-250-A4	250	20
RAX-UP-350-A4	350	50
RAX-UP-450-A4	450	80
RAX-UP-550-A4	550	80
RAX-UP-650-A4	650	80
RAX-UP-750-A4	750	80
RAX-UP-850-A4	850	80
RAX-UP-950-A4	950	80

Supply

- Screw M6 x 10 (dimensions 150 and 250 mm – 4x) 8x
- Plastic washer (dimensions 150 and 250 mm – 4x)..... 8x
- Captive nut M6 (dimensions 150 and 250 mm – 4x) 8x
- Screw M5 x 12 Thorx (dimensions 150 and 250 mm – 4x)..... 8x
- Back holder (dimensions 150 and 250 mm – 2x) 4x



RAC-UP-650-H4

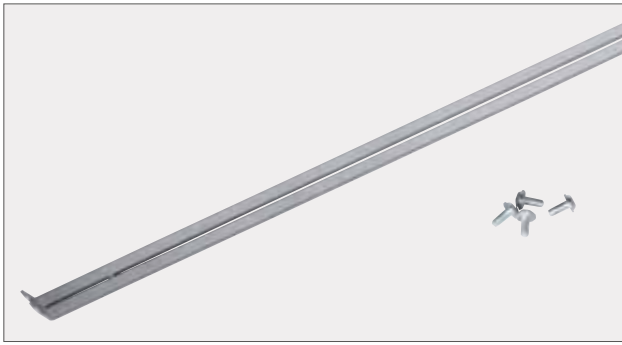
RAB-UP-xxx-H4, RAC-UP-xxx-H4

19" Heavy duty shelf.

Type	Depth (mm)	Max. loading capacity(kg)
RAX-UP-450-H4	450	150
RAX-UP-550-H4	550	150
RAX-UP-650-H4	650	150
RAX-UP-750-H4	750	150
RAX-UP-850-H4	850	150
RAX-UP-950-H4	950	150

Supply

- Screw M6 x 10 8x
- Plastic washer 8x
- Captive nut M6 8x
- Screw M5 x 12 Thorx 8x

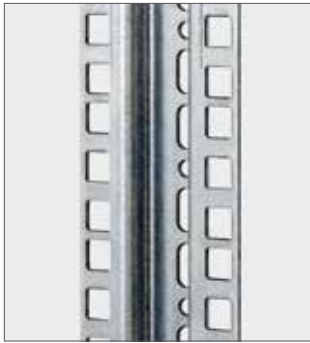


■ RAX-VR-xxx-Xx

Reinforcement kit for RUA wall mount cabinet.

Type	Cabinet height (U)	Depth (mm)
RAX-VR-U09-X4	9	400
RAX-VR-U09-X5	9	500
RAX-VR-U09-X6	9	600
RAX-VR-U12-X4	12	400
RAX-VR-U12-X5	12	500
RAX-VR-U12-X6	12	600
RAX-VR-U15-X4	15	400
RAX-VR-U15-X5	15	500
RAX-VR-U15-X6	15	600
RAX-VR-U18-X4	18	400
RAX-VR-U18-X5	18	500
RAX-VR-U18-X6	18	600

Vertical rails



■ RAX-VS-Xxx-X1

Central vertical rail.



■ RAX-VL-Xxx-X1

Vertical rail. Unit marking is made by laser marker.

Type	Height (U)	Height (mm)	
RAX-VL-X04-X1	4	189,80	
RAX-VL-X06-X1	6	278,70	
RAX-VL-X09-X1	9	412,05	
RAX-VL-X12-X1	12	545,40	
RAX-VL-X15-X1	RAX-VS-X15-X1	15	678,75
RAX-VL-X18-X1	RAX-VS-X18-X1	18	812,10
RAX-VL-X22-X1	RAX-VS-X22-X1	22	989,90
RAX-VL-X27-X1	RAX-VS-X27-X1	27	1212,15
RAX-VL-X32-X1	RAX-VS-X32-X1	32	1434,40
RAX-VL-X37-X1	RAX-VS-X37-X1	37	1656,65
RAX-VL-X42-X1	RAX-VS-X42-X1	42	1878,90
RAX-VL-X45-X1	RAX-VS-X45-X1	45	2012,25
RAX-VL-X47-X1	RAX-VS-X47-X1	47	2101,15

Supply included:

since the height of the rail 22U included

Screw M5 x 122 Pcs

Special nut M5 2 Pcs

since the height of the rail 23U included

Screw M5 x 12 3 Pcs

Special nut M5 3 Pcs



■ RAX-VL-Dxx-X1

Reinforced vertical rail for RDA, RDE cabinets. It is also installed in RXA cabinets of width 800 mm. Unit marking is made by punching.

Type	Height (U)	Height (mm)
RAX-VL-D37-X1	37	1656,65
RAX-VL-D42-X1	42	1878,90
RAX-VL-D45-X1	45	2012,25
RAX-VL-D47-X1	47	2101,15



■ RAX-xx-xxx-xx

Additional profile for cabinets RTA and RYA (RYA just 800mm wide), that increase vertical rails stability (4 pcs). It increase cabinet max. load to 1500kg.

Type	Cabinet height in units	Weight gross (kg)	Weight net (kg)
RAX-VR-T37-X2	37U	5,13	5,03
RAX-VR-T42-X2	42U	5,9	5,8
RAX-VR-T45-X2	45U	6,34	6,24
RAX-VR-T47-X2	47U	6,63	6,53

Bases, filters



RAC-PO-X88-XN



■ RAB-PO-Xxx-XN, RAC-PO-Xxx-XN RAB-PO-Xxx-XD, RAC-PO-Xxx-XD

The base is fully universal, which means that it is usable for all types of free-standing cabinets except ROA and RSX. The construction of the base is formed of two side profiles which correspond to the depth of the cabinet, and two cover panels (front and back) with a corresponding width. Bases XN series have a load capacity of 400 kg, bases XD series have a load capacity 1500 kg.

Supply includes

- 2 x side base profile with a cable entry (with breakout-type blanking panels)
- 2 x cover with cable openings (with breakout-type blanking panels)
- 1 x cover with a filter
- 1 x anti-dust brush
- fasteners

The bases are delivered dismantled. The second dust filter for the second cover replacing can be easily ordered later. The base always exactly copies the ground plan of the cabinet regardless of installation of filter. The bases are standardly supplied in widths of 600 and 800 mm and depths from 600 to 1200 mm. All the bases are 120 mm high.

TIP: The base is prepared for installation of stabilisers, which are highly recommended to use on cabinets with sliding servers.

Type XN	Dimensions (mm)	Maximum recommended load (kg)
RAX-PO-X66-XN	600 x 600	400
RAX-PO-X68-XN	600 x 800	400
RAX-PO-X69-XN	600 x 900	400
RAX-PO-X61-XN	600 x 1000	400
RAX-PO-X60-XN	600 x 1100	400
RAX-PO-X62-XN	600 x 1200	400
RAX-PO-X86-XN	800 x 600	400
RAX-PO-X88-XN	800 x 800	400
RAX-PO-X89-XN	800 x 900	400
RAX-PO-X81-XN	800 x 1000	400
RAX-PO-X80-XN	800 x 1100	400
RAX-PO-X82-XN	800 x 1200	400
Type XD	Dimensions (mm)	Maximum recommended load (kg)
RAX-PO-X68-XD	600 x 800	1500
RAX-PO-X61-XD	600 x 1000	1500
RAX-PO-X60-XD	600 x 1100	1500
RAX-PO-X62-XD	600 x 1200	1500
RAX-PO-X88-XD	800 x 800	1500
RAX-PO-X81-XD	800 x 1000	1500
RAX-PO-X80-XD	800 x 1100	1500
RAX-PO-X82-XD	800 x 1200	1500



RAC-PO-XF2-X1

■ RAB-PO-XFx-X1, RAC-PO-XFx-X1

Filter for bases.

Type	Dimensions – w * h (mm)
RAX-PO-XF1-X1	600 x 120
RAX-PO-XF2-X1	800 x 120

Supply

Screw M5 x 30 4x



RAX-MS-X81-X1

RAX-MS-X81-X1

Castors with maximum loading capacity of 4 castors 800 kg. Cabinet's height increases by 108 mm.

Set

Castors with a brake	2x
Castors without a brake	2x
Screw M5 x 12 Thorx	16x
Enlarged washer 5,5	16x



RAX-MS-X47-X1

RAX-MS-X47-X1

Castors with maximum loading capacity of 4 castors 1600 kg. Cabinet's height increases by 155 mm.

Set

Castors with a brake	2x
Castors without a brake	2x
Screw M5 x 12 Thorx	16x
Enlarged washer 5,5	16x



RAC-SS-X01-X1

RAB-SS-X01-X1, RAC-SS-X01-X1

Stabilizers for free-standing cabinets.

Supply

Screw M5 x 12	4x
---------------------	----



RAX-MS-X64-X1

RAX-MS-X64-X1

Set of adjustable feet for free-standing cabinets with possibility of installation from the inner side of the cabinet. After rectification, it is necessary to ensure the position by the nut. Cabinet height increase can be leveled between +25mm and +35mm.



RAX-MS-X27-X1

RAX-MS-X28-X1

RAX-MS-X27-X1

Joining kit for free standing cabinets - with sealing tape.

RAX-MS-X28-X1

Joining kit for free standing cabinets - without sealing tape.



RAX-MS-X27-Y1

Joining kit for free standing cabinets - with sealing tape.

Blanking panels, cable entry panels



RAX-PB-X01-X1

■ RAX-PB-X01-X1

Cable entry for RIE/RDE.

Supply

Screw M5 x 12	12x
Rubber seal	12x
Seal	0,9 m



RAB-ZP-P41-A1

■ RAB-ZP-P41-A1, RAC-ZP-P41-A1

19" blanking panel 1U oval perforation 36 x 6 mm.

Supply

Screw M6 x 10	4x
Plastic washer	4x
Captive nut M6.....	4x



RAB-ZP-X03-A1

■ RAB-ZP-X03-A1, RAC-ZP-X03-A1

19" 1U Cable entry panel.

Supply

Screw M6 x 10	4x
Plastic washer	4x
Captive nut M6.....	4x



RAB-ZP-X03-A2

■ RAB-ZP-X03-A2, RAC-ZP-X03-A2

19" 1U Cable entry panel with brush strip.

Supply

Screw M6 x 10	4x
Plastic washer	4x
Captive nut M6.....	4x



RAB-ZP-X03-A3

■ RAB-ZP-X03-A3, RAC-ZP-X03-A3

19" 1U Cable entry panel divided horizontally, with brush, opening size 350 x 21 mm.

Supply

Screw M6 x 10	4x
Plastic washer	4x
Captive nut M6.....	4x



RAB-ZP-X02-A3

■ RAB-ZP-X02-A3, RAC-ZP-X02-A3

19" cable entry panel 2U divided horizontally, with brush, opening size 330 x 55 mm.

Supply

Screw M6 x 10	4x
Plastic washer	4x
Captive nut M6.....	4x



RAB-ZP-X02-A1

RAB-ZP-X0x-A1, RAC-ZP-X0x-A1

19" Blanking panel.

Type	Height (mm)	Height (U)
RAx-ZP-X01-A1	44	1
RAx-ZP-X02-A1	88	2
RAx-ZP-X04-A1	133	3
RAx-ZP-X05-A1	177	4

Supply

- Screw M6 x 10 4x
- Plastic washer 4x
- Captive nut M6 4x



RAC-ZP-X32-A1

RAB-ZP-X3x-A1, RAC-ZP-X3x-A1

19" Blanking panel 1U with plastic pins.

RAB-ZP-X9x-A1, RAC-ZP-X9x-A1

19" Blanking panel 1U with plastic pins - logo Triton.

Type	Height (U)	Plastic pins
RAx-ZP-Xx1-A1	1	2
RAx-ZP-Xx2-A1	2	4
RAx-ZP-Xx3-A1	3	4
RAx-ZP-Xx4-A1	4	4
RAx-ZP-Xx5-A1	5	4

Supply

- for 1Uplastic pins 2x
- for 2U and furtherplastic pins 4x



RAC-ZP-X41-A1

RAB-ZP-X4x-A1, RAC-ZP-X4x-A1

19" perforated blanking panel.

Type	Height (U)	Plastic pins
RAx-ZP-X41-A1	1	2
RAx-ZP-X42-A1	2	4
RAx-ZP-X43-A1	3	4
RAx-ZP-X44-A1	4	4
RAx-ZP-X45-A1	5	4



RAX-ZP-X19-X1

RAX-ZP-X19-X1

Blanking panel for top roof / bottom fan unit opening of the free standing cabinets.



RAX-ZP-X17-X1

RAX-ZP-X17-X1

Clip-in blanking panel for cable entry 300 x 70 mm.

RAX-ZP-X18-X1

Clip-in blanking panel for cable entry 370 x 90 mm.

RAX-ZP-X20-X1

Clip-in blanking panel for cable entry at the bottom of RCA cabinet.



RAB-PB-X10-X1

■ **RAB-PB-X10-X1, RAC-PB-X10-X1**

Cable grommet with plastic foam padding. It is designed to close entry for fan units in Triton standing cabinets or to be installed directly to the data center's raised floors, after cutting out a mounting hole with sizes 350 x 420 mm.



RAX-MS-X44-X1

■ **RAX-MS-X44-X1**

Plastic pins.



■ **RAX-MS-A01-X1**

Fringe edge 1 m.



RAX-MS-X15-X1, RAX-MS-X16-X1

■ **RAX-MS-X15-X1, RAX-MS-X16-X1**

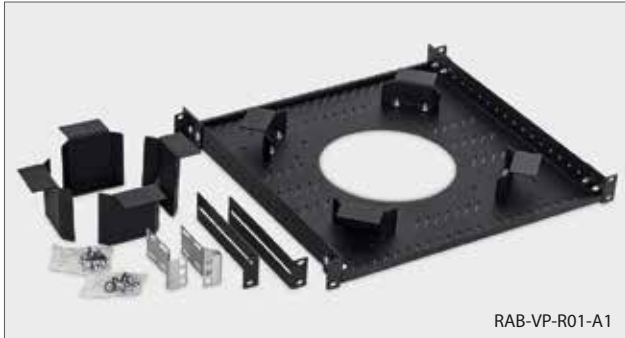
RAX-MS-X15-X1

– blanking panel with a brush, 370 x 90 mm.

RAX-MS-X16-X1

– blanking panel with a brush, 300 x 70 mm.

Cable reserve holder



RAB-VP-R01-A1

RAB-VP-R01-A1, RAC-VP-R01-A1

Cable reserve holder is designed to store and protect especially metallic and optic installation cables inside the cabinet. There are two ways of installation of the cable reserve holder into the cabinet:

- vertically (10 U) on the 19" vertical rails (usually on the back side of the cabinet)

- horizontally between the vertical rails as the classic shelf

Support mandrels, which are mounted around the centre hole, provide bending radius and prevent damage of the stored cables.

Package contains

cable reserve mounting plate	1x
support mandrel – height 1 U	4x
support mandrel – height 2 U	4x
short mounting holder	4x



long mounting holder	2x
central vertical rail holder for 19" accessories	2x
mounting kit (1 set includes 4 pcs of cage nut M6, 4 pcs of screw M6x12)	2x

Other



RAX-MO-X09-X1

RAX-MX-XXX-X1

Installation kit.

RAX-MO-X03-X1

- Basic packet of components for fixing of device into a cabinet or a frame. It contains a captive nut – 50x, a screw – 50x, plastic washer – 50x.

RAX-MO-X09-X1

- Basic packet of components for fixing of device into a cabinet or a frame. It contains a captive nut – 20x, a screw – 20x, plastic washer – 20x.

RAX-MS-X19-X1

- Basic packet of components for fixing of device into a cabinet or a frame. It contains a captive nut – 4x, a screw – 4x, plastic washer – 4x.

Power distribution 230 V – overview

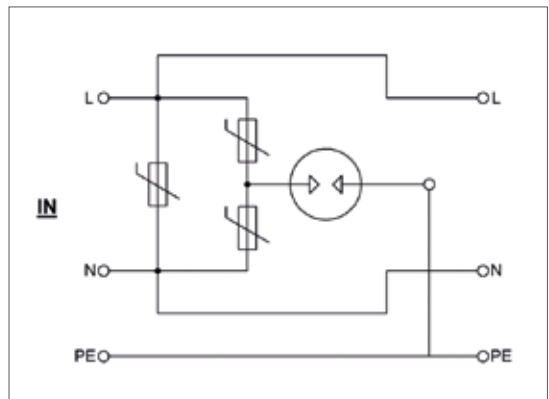
Part no	Height	Width	Depth	Socket				Power input		Switch	Power indicator	Varistor surge protection	Circuit breaker 2 x 16 A	Note
				ČSN 16 A	DE 16 A	IEC320 C13 10 A	IEC320 C19 16 A	Cable	Plug					
RAB-PD-X01-A1	1U	19"	1U	8 x				2 m 3 x 1,5 mm	CZ-DE Universal					
RAB-PD-X03-A1	1U	19"	1U	8 x				2 m 3 x 1,5 mm	CZ-DE Universal					
RAB-PD-X05-A1	1U	19"	1U	8 x				2 m 3 x 1,5 mm	CZ-DE Universal					
RAB-PD-X07-A1	1U	19"	1U	8 x				2 m 3 x 1,5 mm	CZ-DE Universal					
RAB-PD-X11-A1	1U	19"	1U	7 x				2 m 3 x 1,5 mm	CZ-DE Universal					
RAB-PD-X02-A1	1U	19"	1U		8 x			2 m 3 x 1,5 mm	CZ-DE Universal					
RAB-PD-X04-A1	1U	19"	1U		8 x			2 m 3 x 1,5 mm	CZ-DE Universal					
RAB-PD-X06-A1	1U	19"	1U		8 x			2 m 3 x 1,5 mm	CZ-DE Universal					
RAB-PD-X08-A1	1U	19"	1U		8 x			2 m 3 x 1,5 mm	CZ-DE Universal					
RAB-PD-X12-A1	1U	19"	1U		7 x			2 m 3 x 1,5 mm	CZ-DE Universal					
RAB-PD-X09-A1	1U	19"	1U			14 x		2 m 3 x 1,5 mm	IEC320 C14					
RAB-PD-X10-A1	1U	19"	1U			14 x			IEC320 C14					Plug IEC320 C14 is on the PDU, w/o cable
RAB-PD-X51-X1	1274 mm	1U	1U	24x				2 m 3 x 2,5 mm	IEC 60309 16A					
RAB-PD-X52-X1	1281 mm	1U	1U			20 x	4 x	3 m 3 x 6,0 mm	IEC 60309 32A					Each circuit breaker protects one group covering 10 x IEC320 C13 + 4 x IEC320 C19
RAB-PD-X53-X1	1281 mm	1U	1U			20 x	4 x	3 m 3 x 6,0 mm	IEC 60309 32A					Each circuit breaker protects one group covering 10 x IEC320 C13 /anti-fall model/ + 4x IEC320 C19
RAB-PD-X90-C1	1U	10"	1U	4 x				2 m 3 x 1,5 mm	CZ-DE Universal					
RAB-PD-X91-C1	1U	10"	1U		4 x			2 m 3 x 1,5 mm	CZ-DE Universal					

Surge protection – Varistor protection against pulse overvoltage

Classification in compliance with norms: ČSN EN 61643-11 type 3
IEC 61643-1 class III
VDE 0675-6 class D

Surge protection protects the connected devices against pulse overvoltage using varistors, which resistance falls with increasing voltage.

Rating voltage	250 V AC 50/60 Hz
Maximum persist working voltage	300 V AC
Standard discharge current (8/20µs)	5 kA
Nominal discharge current (8/20 µs)	10 kA
Residual voltage (8/20 µs)	< 1000 V
Response time	< 25 ns
Maximum working current	16 A





RAB-PD-X01-A1

RAB-PD-X01-A1

19" distribution panel 1U, 8 sockets ČSN standard, max. 16 A, cable 3 x 1.5 mm x 2 m long, DIN49441 16 A plug, RAL 9005.

Supply

- Screw M6 x 16 with washer 2x
- Captive nut M6 2x



RAB-PD-X02-A1

RAB-PD-X02-A1

19" distribution panel 1U, 8 sockets DIN standard, max. 16 A, cable 3 x 1.5 mm x 2 m long, DIN49441 16 A plug, RAL 9005.

Supply

- Screw M6 x 16 with washer 2x
- Captive nut M6 2x



RAB-PD-X03-A1

RAB-PD-X03-A1

19" distribution panel 1U, 8 sockets ČSN standard, max. 16 A, cable 3 x 1.5 mm x 2 m long, DIN49441 16 A plug, lighted master switch with plastic cover, RAL 9005.

Supply

- Screw M6 x 16 with washer 2x
- Captive nut M6 2x



RAB-PD-X04-A1

RAB-PD-X04-A1

19" distribution panel 1U, 8 sockets DIN standard, max. 16 A, cable 3 x 1.5 mm x 2 m long, DIN49441 16 A plug, lighted master switch with plastic cover, RAL 9005.

Supply

- Screw M6 x 16 with washer 2x
- Captive nut M6 2x



RAB-PD-X05-A1

RAB-PD-X05-A1

19" distribution panel 1U, 8 sockets ČSN standard, max. 16 A, cable 3 x 1.5 mm x 2 m long, DIN49441 16 A plug, power indicator, RAL 9005.

Supply

- Screw M6 x 16 with washer 2x
- Captive nut M6 2x



RAB-PD-X06-A1

RAB-PD-X06-A1

19" distribution panel 1U, 8 sockets DIN standard, max. 16 A, cable 3 x 1.5 mm x 2 m long, DIN49441 16 A plug, power indicator, RAL 9005.

Supply

- Screw M6 x 16 with washer 2x
- Captive nut M6 2x



RAB-PD-X07-A1

RAB-PD-X07-A1

19" distribution panel 1U, 8 sockets ČSN standard, max. 16 A, cable 3 x 1.5 mm x 2 m long, DIN49441 16 A plug, Varistor surge protection, RAL 9005.

Supply

- Screw M6 x 16 with washer 2x
- Captive nut M6 2x



RAB-PD-X08-A1

RAB-PD-X08-A1

19" distribution panel 1U, 8 sockets DIN standard, max. 16 A, cable 3 x 1.5 mm x 2 m long, DIN49441 16 A plug, Varistor surge protection, RAL 9005.

Supply

- Screw M6 x 16 with washer 2x
- Captive nut M6 2x



RAB-PD-X09-A1

RAB-PD-X09-A1

19" distribution panel 1U, 14 sockets IEC320, max. 10 A, cable 3 x 1.5 mm x 2 m long, IEC320 C14 10 A plug, power indicator, RAL 9005.

Supply

- Screw M6 x 16 with washer 2x
- Captive nut M6 2x



RAB-PD-X10-A1

RAB-PD-X10-A1

19" distribution panel 1U, 14 sockets IEC320, max. 10 A, w/o cable, IEC320 C14 input, RAL 9005.

Supply

- Screw M6 x 16 with washer 2x
- Captive nut M6 2x



RAB-PD-X11-A1

RAB-PD-X11-A1

19" distribution panel 1U, 7 sockets ČSN standard, max. 16 A switch, surge protection, cable 3 x 1.5 mm x 2 m, DIN49441 16A plug, FLEX, lighted master switch with plastic cover, RAL 9005.

Supply

- Screw M6 x 16 with washer 2x
- Captive nut M6 2x



RAB-PD-X12-A1

RAB-PD-X12-A1

19" distribution panel 1U, 7 sockets DIN standard, max. 16 A switch, surge protection, cable 3 x 1.5 mm x 2 m, DIN49441 16 A plug, FLEX, lighted master switch with plastic cover, RAL 9005.

Supply

- Screw M6 x 16 with washer 2x
- Captive nut M6 2x



RAB-PD-X51-X1

■ RAB-PD-X51-X1

Vertical distribution panel, 24 sockets ČSN standard, max. 16 A, cable 3 x 1.5 mm x 2 m long, IEC60309 plug, surge protection, Varistor surge protection, RAL 9005.

Supply

Screw M6 x 16 with washer 2x
 Captive nut M6 2x



RAB-PD-X52-X1

■ RAB-PD-X52-X1

Vertical distribution panel, 20 sockets IEC320 C13, 4 sockets IEC320 C 19. 2 x 16 A master air circuit breaker, max. 32 A, cable 3 x 6.0 mm x 3 m long, IEC60309 plug, RAL 9005.

Supply

Screw M6 x 16 with washer 2x
 Captive nut M6 2x



RAB-PD-X53-X1

■ RAB-PD-X53-X1

Vertical distribution panel, 20 sockets IEC320 C13 (anti-fall), 4 sockets IEC320 C 19. 2 x 16 A master air circuit breaker, max. 32A, cable 3 x 6.0 mm x 3 m long, IEC60309 plug, RAL 9005.

Supply

Screw M6 x 16 with washer 2x
 Captive nut M6 2x



RAB-PD-X90-C1

■ RAB-PD-X90-C1

10" distribution panel, 4 sockets ČSN standard, max. 16 A, cable 3 x 1.5 mm x 2 m long, DIN49441 16 A plug, RAL 9005.

Supply

Screw M6 x 16 with washer 2x
 Captive nut M6 2x



RAB-PD-X91-C1

■ RAB-PD-X91-C1

10" distribution panel, 4 sockets DIN standard, max. 16 A, cable 3 x 1.5 mm x 2 m long, DIN49441 16 A plug, indicator light, RAL 9005.

Supply

Screw M6 x 16 with washer 2x
 Captive nut M6 2x



■ Intelligent power distribution panels

Amount and configuration of sockets, measured values and level of management is always carried out according to the customer's specification.

Please contact your business partner for more information.

These panels are primarily designed for installation in the skeleton of RTA / RYA / RDA cabinets. Depending on the type of management, it is possible to measure and monitor various electrical values, eventually temperature, humidity, etc.

Superior versions of the panels then allow remote control of individual sockets or entire panels, messaging and other functions.

A standard communication is via IP protocol, SNMP, built-in web interface and is possible to integrate them into building management systems.



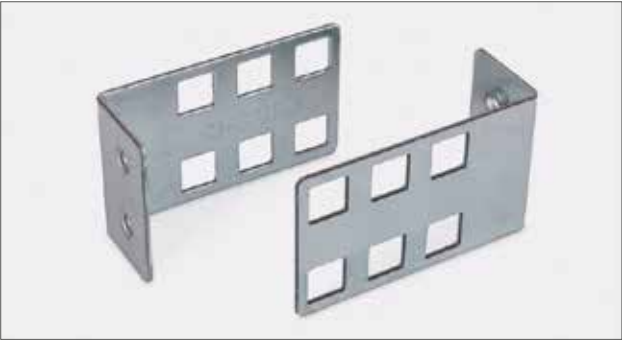
RAX-DR-X11-X1

PDU holder 1U for cabinet skeleton (pair). For cabinets RTA, RYA, RDA, RDE, RSX, RSX-F.



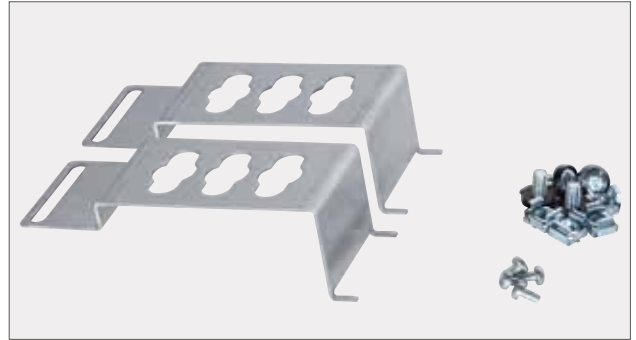
RAX-DR-X12-X1

PDU holder 2U for cabinet skeleton (pair). For cabinets RTA, RYA, RDA, RDE, RSX, RSX-F.



RAX-DR-X13-X1

PDU holder 1U for vertical rail side mount. (pair). For cabinets RMA, RZA, RTA-1200, RYA-1200.



RAX-DR-X17-X1

PDU with button style mounting holder 2U for cabinet skeleton (pair). For cabinets RTA, RYA, RDA, RDE, RSX, RSX-F.

Breaker holder



RAC-JL-X01-A1

RAB-JL-X01-A1, RAC-JL-X01-A1

19" rail 3U for circuit breakers with cover, removable, DIN, for 23 modules.



RAC-JL-X02-A1

RAB-JL-X02-A1, RAC-JL-X02-A1

19" rail 3U for circuit breakers with cover, DIN, for 22 modules.



RAC-JL-X01-C1

RAB-JL-X01-C1, RAC-JL-X01-C1

10" rail 3U for circuit breakers with cover, removable, DIN, for 10 modules.



RAX-ZL-X15-X1

RAX-ZL-Xxx-X1

Earthing rail vertical, solid copper 5 x 20 mm.

Type	Height (U)	Height (mm)
RAX-ZL-X15-X1	15	667
RAX-ZL-X18-X1	18	800
RAX-ZL-X22-X1	22	978
RAX-ZL-X27-X1	27	1200
RAX-ZL-X32-X1	32	1422
RAX-ZL-X37-X1	37	1645
RAX-ZL-X42-X1	42	1867
RAX-ZL-X45-X1	45	2000

Supply

Screw M5 x 18 Thorx 2x
 Enlarged washer 2x
 Nut 2x



RAX-SV-X01-X1

RAX-SV-X01-X1

Earthing clamp.



RAX-ZL-X02-A1

RAX-ZL-X02-A1

19" earthing rail horizontal, solid copper 5 x 20 mm.

Supply

Screw M6 x 12 Thorx 2x
 Plastic pad 2x
 Captive nut M6 2x



RAX-MS-X84-X1

RAX-MS-X84-X1

Earthing module on DIN rail designed for mounting on a 19" vertical, 36 earthing connections for max. crosscut 10 mm², one connection for max. crosscut 25 mm².

Lighting unit



RAX-OJ-X07-X1

RAX-OJ-X07-X1

LED-diode lighting unit with magnet 1/2U with possibility of fixing on the vertical 19" rails, external power supply 230 V, 315 lm.



RAC-OP-X07-A1

RAB-OP-X07-A1, RAC-OP-X07-A1

19" cover/holder for LED-diode lighting unit RAX-OJ-X07-X1.

10" accessories



RAB-PP-X03-C1

RAB-PP-X03-C1, RAC-PP-X03-C1
10" modular patch panel for max. 10 keystone modules.

Supply

Screw M6 x 10	4x
Plastic washer	4x
Captive nut M6	4x



RAC-UP-X01-C1

RAB-UP-X01-C1, RAC-UP-X01-C1
10" shelf, depth 150 mm.

Supply

Screw M6 x 10	4x
Plastic washer	4x
Captive nut M6	4x



RAC-FO-X01-C1

RAB-FO-X01-C1, RAC-FO-X01-C1
10" fibre optic box 1U, 8 ST connectors.

Supply

Screw M6 x 10	4x
Plastic washer	4x
Captive nut M6	4x



RAC-FO-X01-C2

RAB-FO-X01-C2, RAC-FO-X01-C2
10" fibre optic box 1U, 8 SC connectors.

Supply

Screw M6 x 10	4x
Plastic washer	4x
Captive nut M6	4x



RAB-ZP-X01-C1

RAB-ZP-X01-C1, RAC-ZP-X01-C1
10" blanking panel 1U.

Supply

Screw M6 x 10	4x
Plastic washer	4x
Captive nut M6	4x



RAB-VP-X02-C1

RAB-VP-X02-C1, RAC-VP-X02-C1
10" cable management panel 1U, a small ring 3x.

Supply

Screw M6 x 10	4x
Plastic washer	4x
Captive nut M6	4x



RAX-MS-X07-X1

RAX-MS-X07-X1

Key lock for wall-mounted rack, universal key.



RAX-MS-X09-X1

RAX-MS-X09-X1

Key lock for side panels of free-standing racks.



RAX-MS-X25-X1

RAX-MS-X25-X1

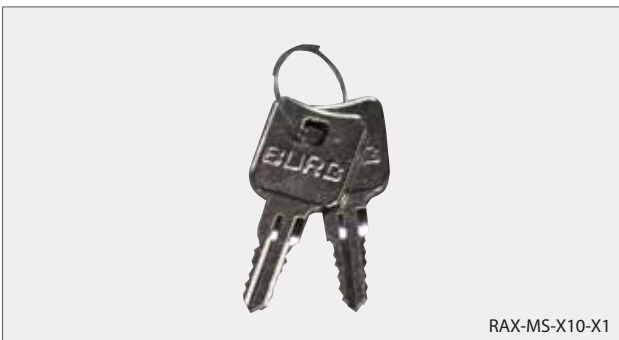
Lock for handles of free-standing cabinets.



RAX-ZM-X04-X1

RAX-ZM-X04-X1

Lock for back panel suitable for RMA, RZA (pair).



RAX-MS-X10-X1

RAX-MS-X10-X1

Standard keys for the front doors of wall-mounted and free-standing cabinets.



RAX-MS-X97-X1

RAX-MS-X97-X1

Handle with mechanical 4 digit code lock and emergency key opening.

Tritón® locking system



Patent: 2013-27443

■ RAX-MS-X35-X1

Triton plastic swing handle with standard lock.

■ RAX-MS-X68-X1

Triton plastic swing handle with half-cylindrical lock.

■ RAX-MS-X36-X1

Plastic swing handle prepared for installation of lock RAX-MS-X25-X1 or half-cylindrical lock.

■ RAX-MS-X71-X1

Set for conversion of Triton handle to a handle with universal key.

■ RAX-MS-X72-X1

Set for conversion of Triton handle to a handle with various half-cylindrical lock.

■ RAX-MS-X73-X1

Set for conversion of Triton handle to a handle with paired half-cylindrical lock.

■ RAX-MS-X74-X1

Set for conversion of Triton handle to a handle with half-cylindrical lock, without lock insert.

■ RAX-MS-X75-X1

Set for conversion of Triton handle to a handle with universal half-cylindrical lock.



Triton plastic swing handle brings revolutionary innovation. Just by replacing the plastic inlet you can choose classic or half-cylindrical lock. Even while in use, on fully equipped cabinet you can easily switch simply by changing a few parts at a higher security level or the general key systems.

Cylindrical lock must have an adjustable rotating latch.

The handle is not compatible with the older model.



■ Multi point locking systems

We have been supplying these systems for many years and especially cabinets with a high IP rating could not exist without them. With the new handle comes also the ability to use a wider range of lever and sliding multi point locking systems from reputable manufacturers.



RAX-MS-X12-X1

■ RAX-MS-X12-X1

Door hinge for wall-mounted fibre optic boxes.



RAX-MS-X13-X1

■ RAX-MS-X13-X1

Door hinge for free-standing and wall-mounted cabinets. Max. loading capacity of 1 piece is 15 kg.

Supply

Screw M5 x 12 2x
Nut M5 2x



RAX-MS-X14-X1

■ RAX-MS-X14-X1

Side hinge for double sectioned wall-mounted cabinets.

Supply

Screw M5 x 12 4x
Nut M5 4x



RAX-MS-X20-X1

■ RAX-MS-X20-X1

Triton plastic hinge for flat-pack, RKA and 10" cabinets.



RAX-MS-X22-X1

■ RAX-MS-X21-X1, RAX-MS-X22-X1

Hook-on door hinge for free standing cabinets. Loading capacity of one hinge is 15 kg.

Type	Hinge orientation
RAX-MS-X21-A1	left
RAX-MS-X22-A1	right

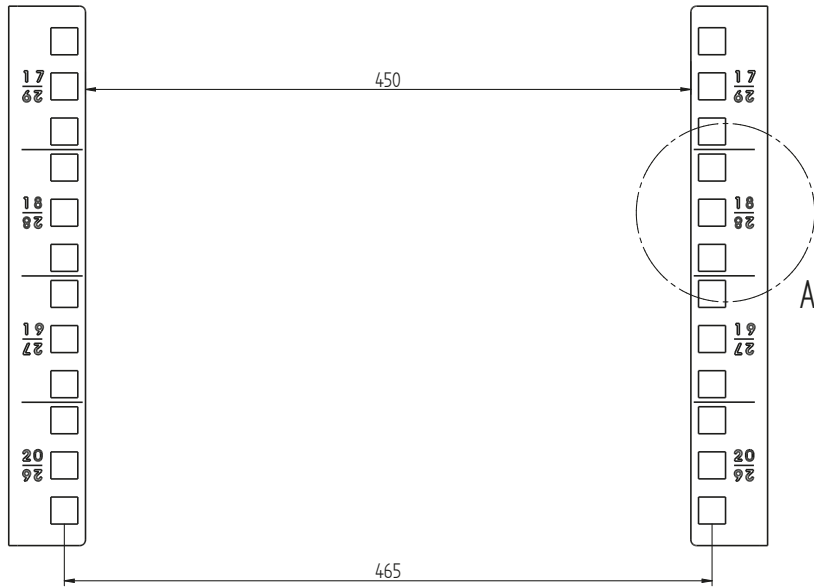
Assembly set

Screw M5 x 12 2x
Nut M5 2x

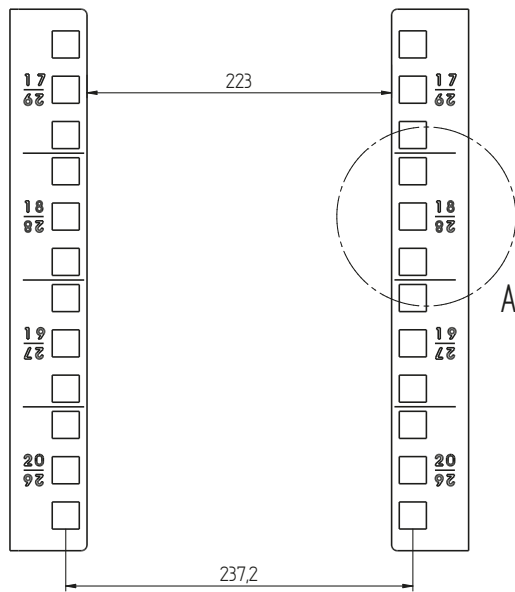
Technical Support

1. Vertical rail

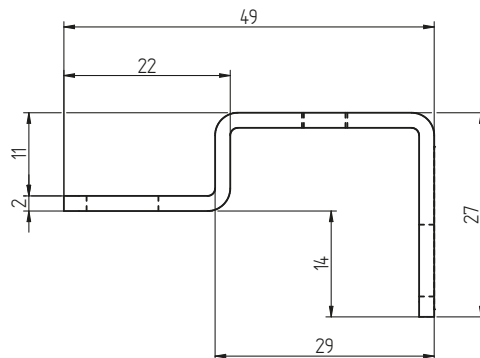
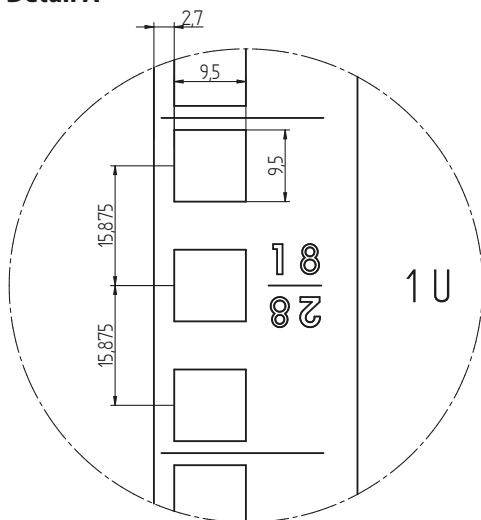
19" system



10" system

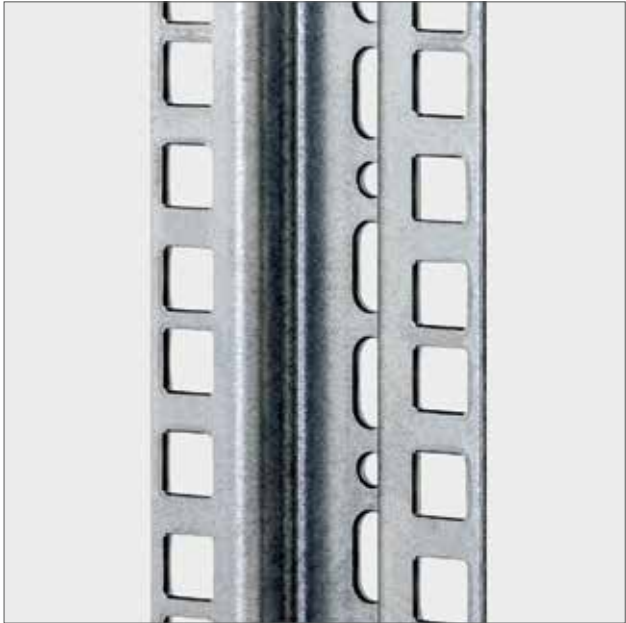
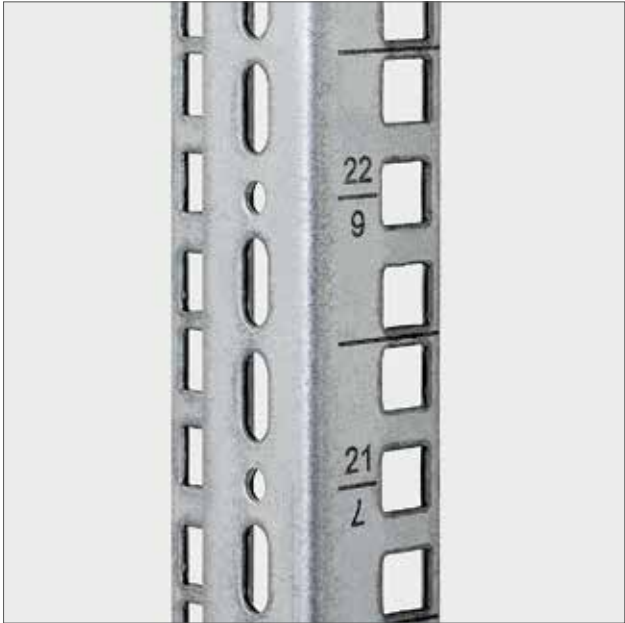
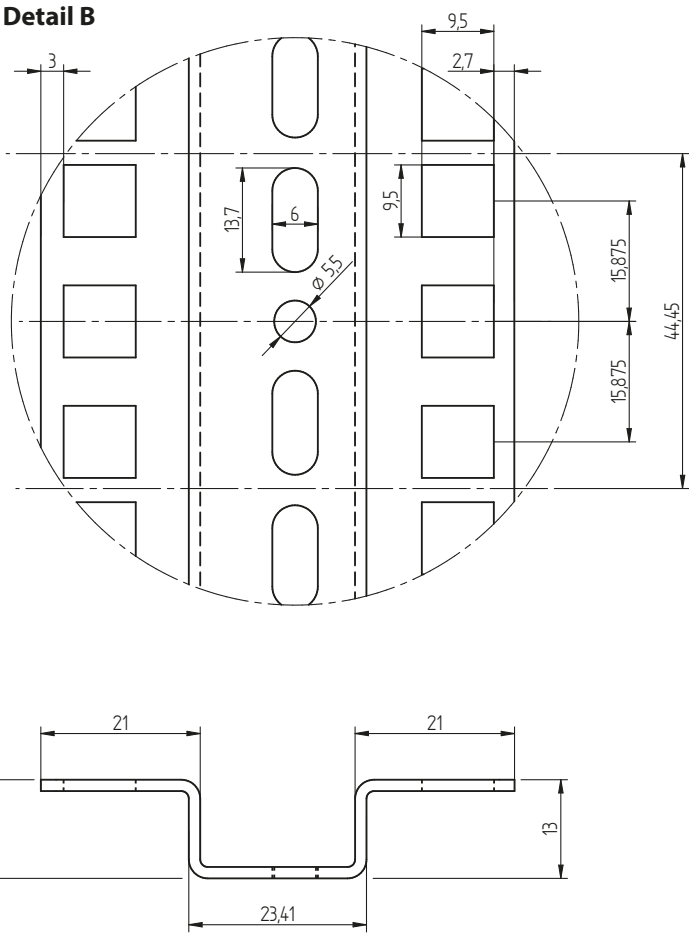
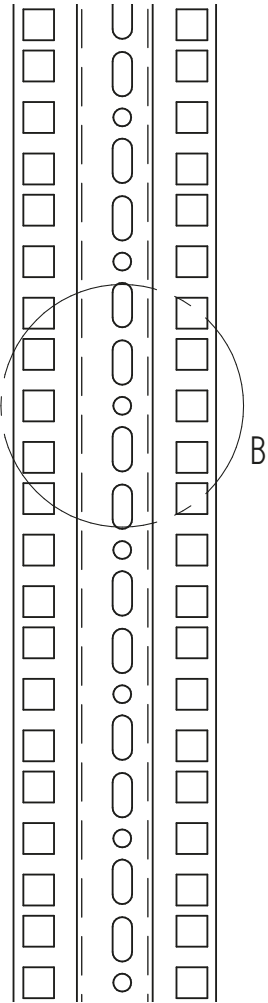


Detail A



Conversion of the units to the height of the vertical rail:

- 4 U = 183,8 mm
- 6 U = 272,7 mm
- 9 U = 406,05 mm
- 12 U = 539,4 mm
- 15 U = 672,75 mm
- 18 U = 806,1 mm
- 22 U = 983,9 mm
- 27 U = 1206,15 mm
- 32 U = 1428,4 mm
- 37 U = 1650,65 mm
- 42 U = 1872,9 mm
- 45 U = 2006,25 mm
- 47 U = 2095,15 mm





2. Maximum spacing of vertical rails at free-standing cabinets

800 x 600 – 470 mm	600 x 600 – 510 mm
800 x 800 – 670 mm	600 x 800 – 710 mm
800 x 900 – 770 mm	600 x 900 – 810 mm
800 x 1000 – 870 mm	600 x 1000 – 910 mm
800 x 1100 – 970 mm	600 x 1100 – 1010 mm
800 x 1200 – 1070 mm	600 x 1200 – 1110 mm

3. Maximum available depths in free-standing and wall-mounted cabinets

Free-standing cabinets

800 x 600 – 575 mm	600 x 600 – 575 mm
800 x 800 – 775 mm	600 x 800 – 775 mm
800 x 900 – 875 mm	600 x 900 – 875 mm
800 x 1000 – 975 mm	600 x 1000 – 975 mm
800 x 1100 – 1075 mm	600 x 1100 – 1075 mm
800 x 1200 – 1175 mm	600 x 1200 – 1175 mm

Wall-mounted cabinets

AS3 – 200 mm	AD2 – 260 mm
AS4 – 360 mm	AD5 – 480 mm
AS5 – 460 mm	AD6 – 580 mm
AS6 – 560 mm	

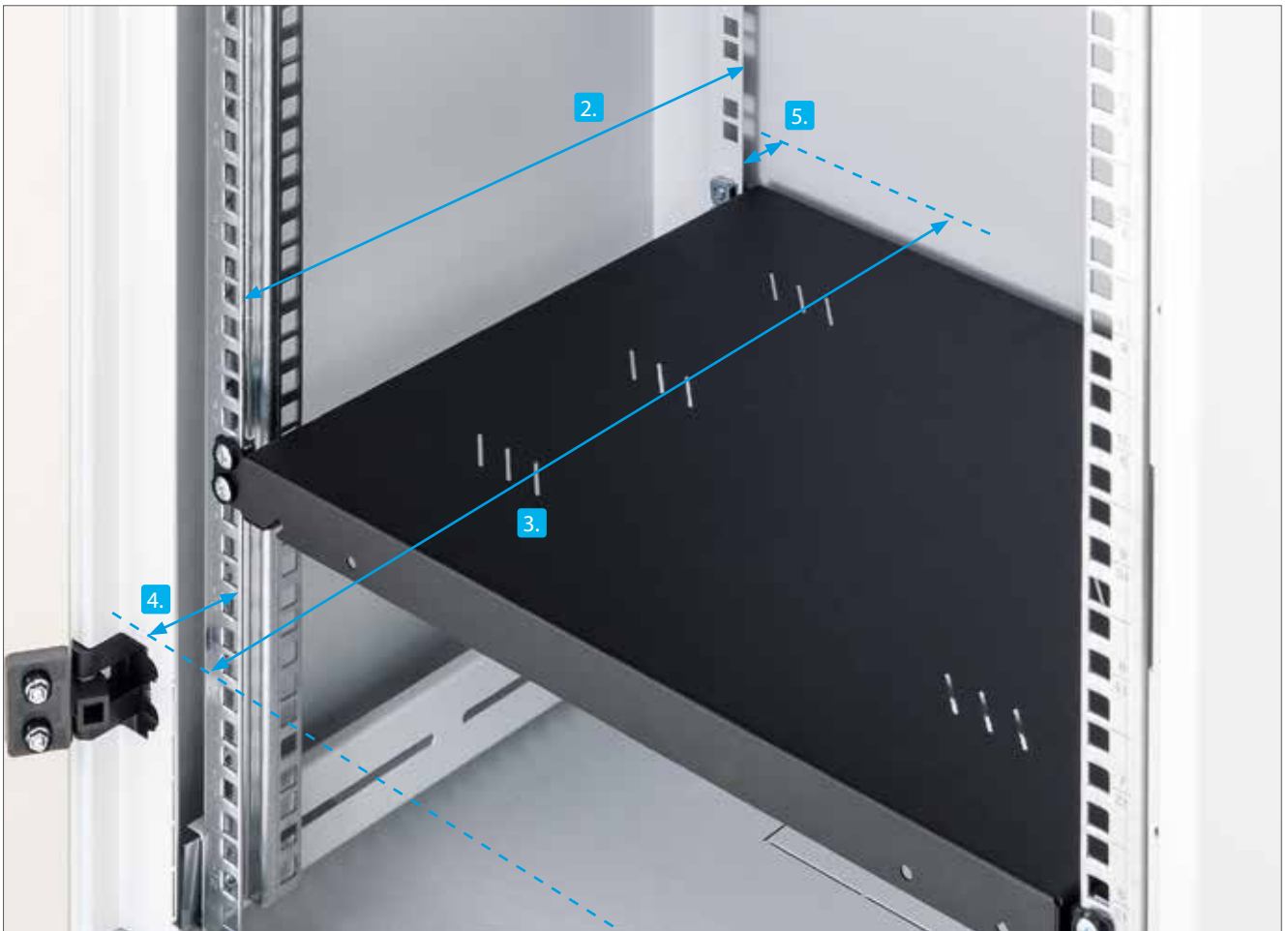
4. Spacing between the front vertical rail and the door glass at the maximum span

Free-standing cabinets

600 x – 35 mm
800 x – 50 mm

Wall-mounted cabinets

RBA – 25 mm
RBA 10" – 30 mm
RFA – 20 mm
RKA – 30 mm
RUA – 50 mm
RXA – 35 mm



5. Spacing between the rear vertical rail and the rear cover at the maximum span

600 x – 37 mm
800 x – 55 mm

6. Units of measurements (unit/inch)

unit = 44,45 mm
inch = 25,4 mm
unit = 1,75 inch

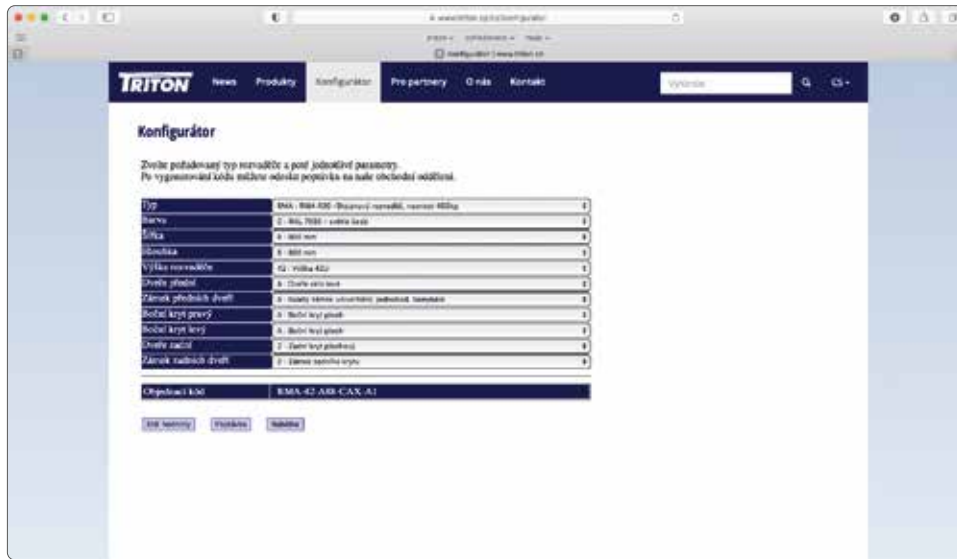
7. Basic dimensions of universal feet for a free standing cabinet:

Screw: M10
uplift: 19 - 29 mm

8. Sliding shelf - spacing between vertical rails into the depth of the cabinet for fixing the shelf

RAx-UP-X30-A1: minimum 350 mm, maximum 500 mm
RAx-UP-X31-A1: minimum 450 mm, maximum 630 mm

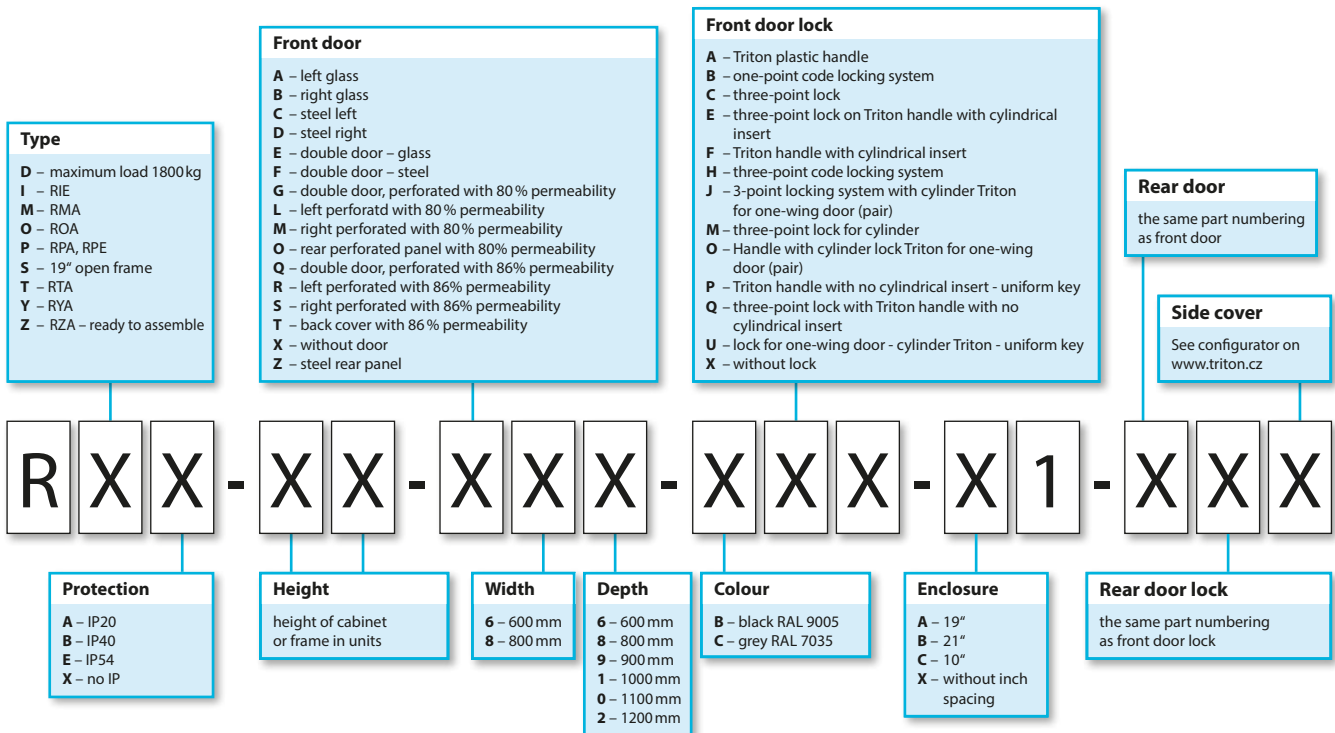
Configurator



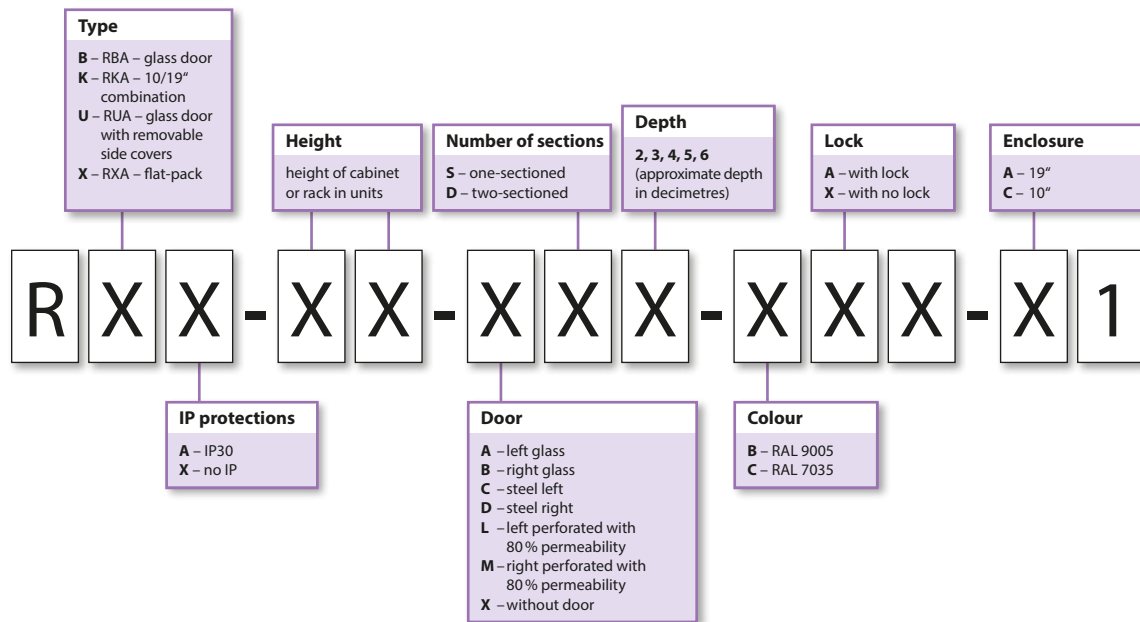
To help you with selecting the right type of product for your needs we have prepared a configurator of Triton products. **Create a product code** of cabinet as per your needs.

Exact specification of free-standing cabinets can be found in our configurator on web page <http://www.triton.cz/en/configurator>

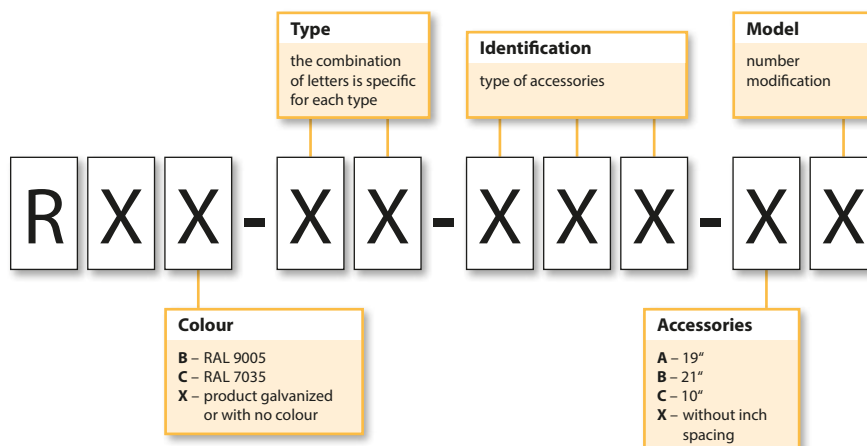
Part numbering of free-standing cabinets



Part numbering of wall-mounted cabinets



Part numbering of accessories



Certification



ISO 9001:2015



ISO 14001:2015



ISO 45001:2018



RMA



RDA



RZA



RDE



RIE



RPA



RBA - one-sectioned 19"



RBA - two-sectioned 19"



RBA - one-sectioned 10"



RUA



RXA



RCA



SGA



SHA



RNA, SNA



Fan units



Fan units



Fan units



Fan units



Ventilation units



Power distribution



19" Cabinets and open frames



Panels and accessories



Current certificate versions are at your disposal here: <http://www.triton.cz/en/download/certificates>



Current certificate versions are at your disposal here: <http://www.triton.cz/en/download/certificates>

Triton Showroom



There is no better argument for something than the demonstration of a particular sample. For this purpose, we have prepared a presentation center with samples of our cabinets, with a data center and other products. Here you can upon agreement show to your customers all the benefits of different models during a personal visit.

If interested in a personal visit with us please do not hesitate to arrange a date.



Packing, Transportation, Warranty



Packing

Edges are protected by a highly resistant polyurethane foam and the whole cabinet is protected with shrink-wrap against dust and scratching during transportation. Free standing cabinets are delivered on wooden pallets.

Transportation

Transportation is provided via our contract carriers.

Warranty

Triton focuses a great deal on the quality of its products. In the rare occurrence of a problem with defective material or function it is covered by our warranty. Most products have a warranty of 24 months, except for the air conditioning unit which has a warranty for one year. The warranty begins upon dispatch from our central warehouse. If the air conditioning units are installed and started up by our certified technicians, then the warranty period will begin from the time of initial launch. If necessary, please contact your supplier who will arrange all the necessary information to deal with the situation.





for smart storage

Clothes Lockers and Cloak Room Equipment

Our company focuses not only on the IT industry, but also on the development and production of equipment for smart storage, such as lockers, boxes, containers, bins and other furniture for various industries.

Modern design, clean lines, quality materials, variability and top processing, these are the main attributes that appeal to all our clients interested in modern and smart storage.

Our wide range of metal furniture is complemented by laminate and combined products of laminate and metal.

We offer many colours, decors and variability of design, so we will equip any interior, including atypical and luxury projects for demanding clients.

Continuous innovation keeps our products at the forefront of current technological trends with emphasis on top quality and exclusive design.

Our product line includes:

- Clothes lockers and compartment lockers in combination of steel and laminated chipboard
- Steel clothes lockers and compartment lockers
- Exclusive lockers
- Key lockers
- Shoe boxes under the clotheslockers
- Cloakroom benches and seats
- Golf lockers
- Fire lockers and lockers for rescue services workbenches and workshop storage furniture waste bins

We provide these products to:

hospitals, schools, retirement homes, fitness and wellness centers, gyms, aqua parks, fire and rescue services, golf and equestrian clubs, factories, etc.



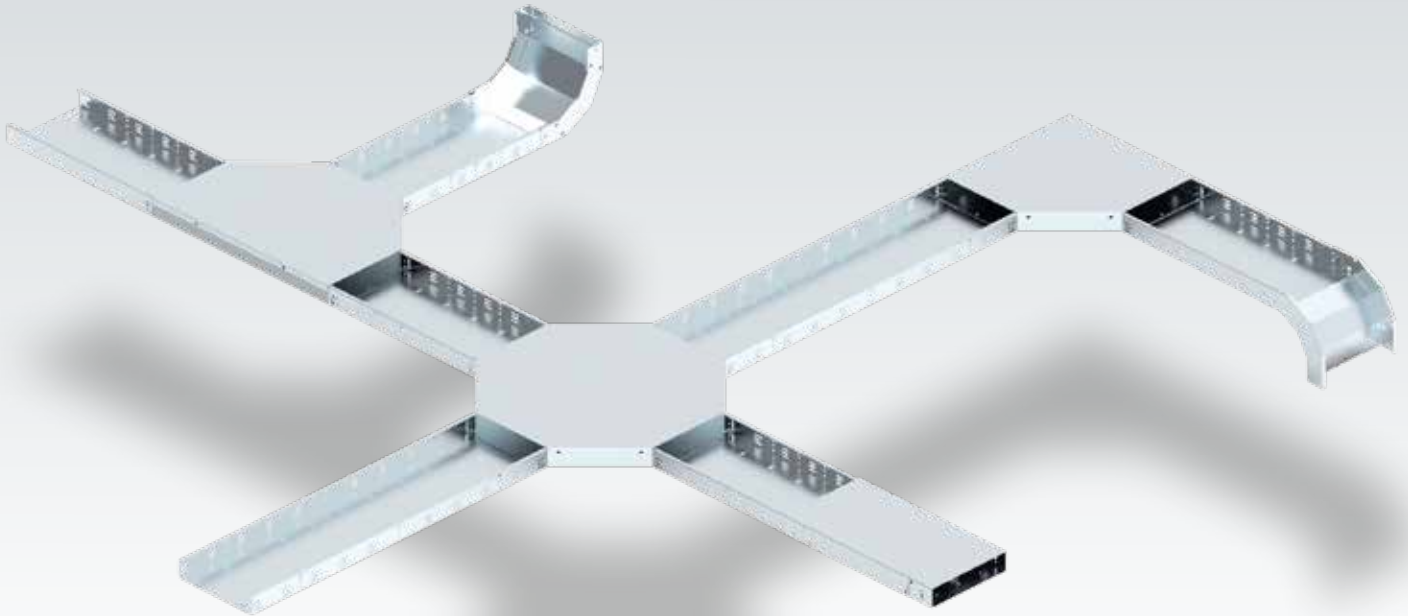
More information

tel.: +420 467 401 121, e-mail: info@clotheslockers.eu

www.clotheslockers.eu



for smart storage



Unique smart system for cable management based on telescopic principle.

Our company produces, among other products, comprehensive modular system of cable trays, compared to competitor's products differ in many aspects. Both design and simplicity of mechanical and el. connection.

The system can be combined with wire trays, which we also supply.

Tritón cable management system uses telescopic principle of 2 trays. Thanks to the smaller pull-out tray, the length can be adjusted from 2,5 m to 5 m. There is no need for any tools to set the length, so the installation is very fast.

With the use of plastic connectors, it is possible to build a test track and then permanently connect by door bolts (non-rotating) with nuts .

Parts of the cable management system are made of 0.8 mm

thick galvanized sheet metal by Sendzimir method in the thickness of 17-23 microns and is therefore suitable for most common installations. However, they are not suitable for use in the food and chemical industries.

The system can be combined with wire trays, which we also supply.

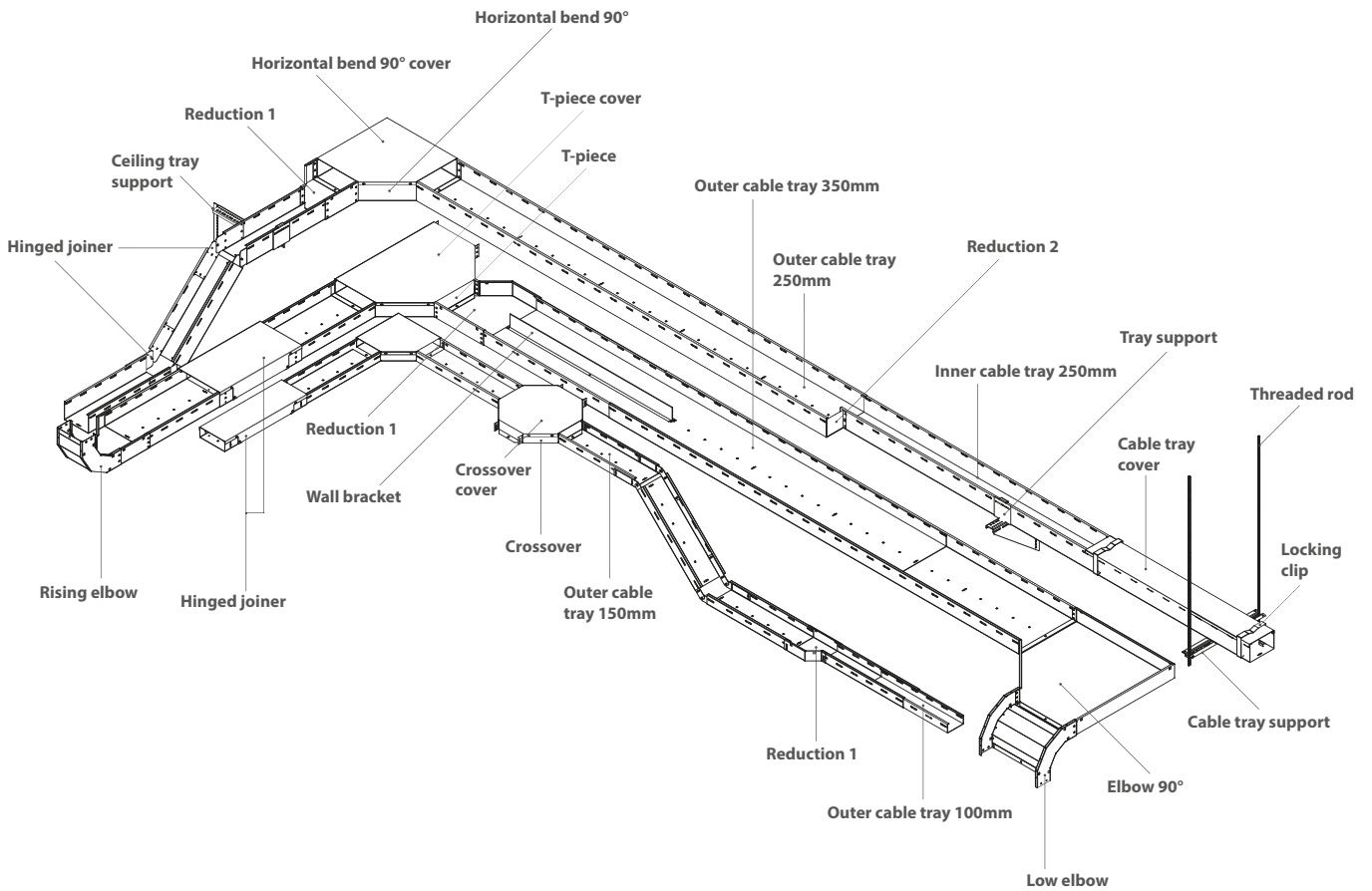
„The installation has never been that easy and safe“



You can order the entire range in our web shop:

<https://shop.tcsystem.cz>

Example of cable management with individual components



We produce cable trays on our Ras ProfileCenter profiling line, thanks to which they have a specific length of 2.5 m. All die-cut blanks pass through a brushing machine, where shavings are removed and edges are rounded. In a red circle you can see before brushing and in photo below state after brushing. Thanks to that, the installation is very safe and fast.



TRITON®

Tritón Pardubice, spol. s r. o.

č.p. 130, 530 02 Starý Mateřov, Czech Republic

GPS: 50°0'4.624"N, 15°43'28.292"E

Tel.: +420 467 401 111, Fax: +420 467 401 130

E-mail: sale@triton.cz

www.triton.cz

www.clotheslockers.eu

Triton Chemnitz GmbH

Wolgograder Allee 24, 09123 Chemnitz, BRD

Tel.: +49 371 5202271, +49 371 2621192

Fax: +49 371 5202272

E-mail: info@triton-racks.de

www.triton-racks.de

www.garderobenspinde.de